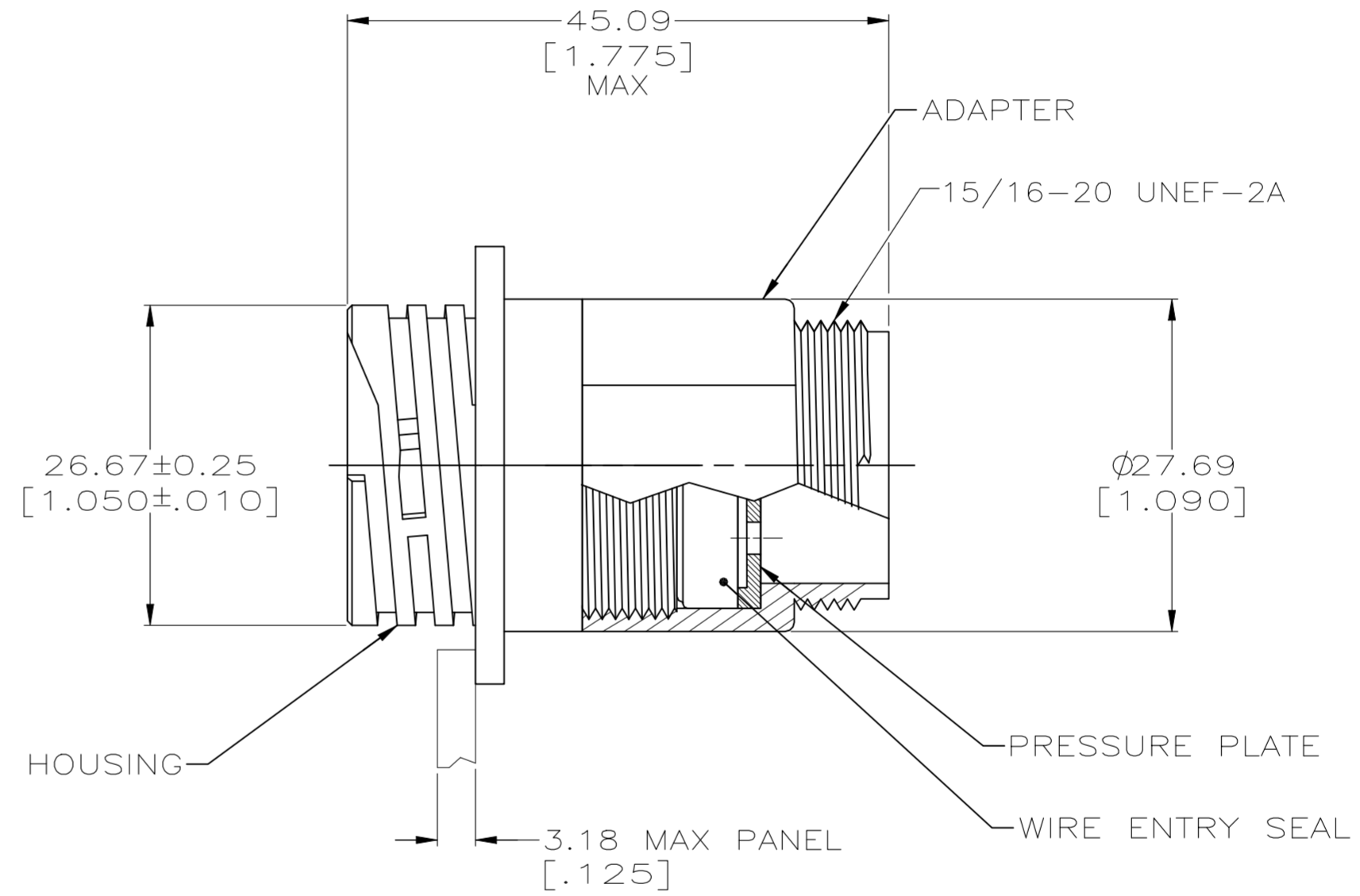
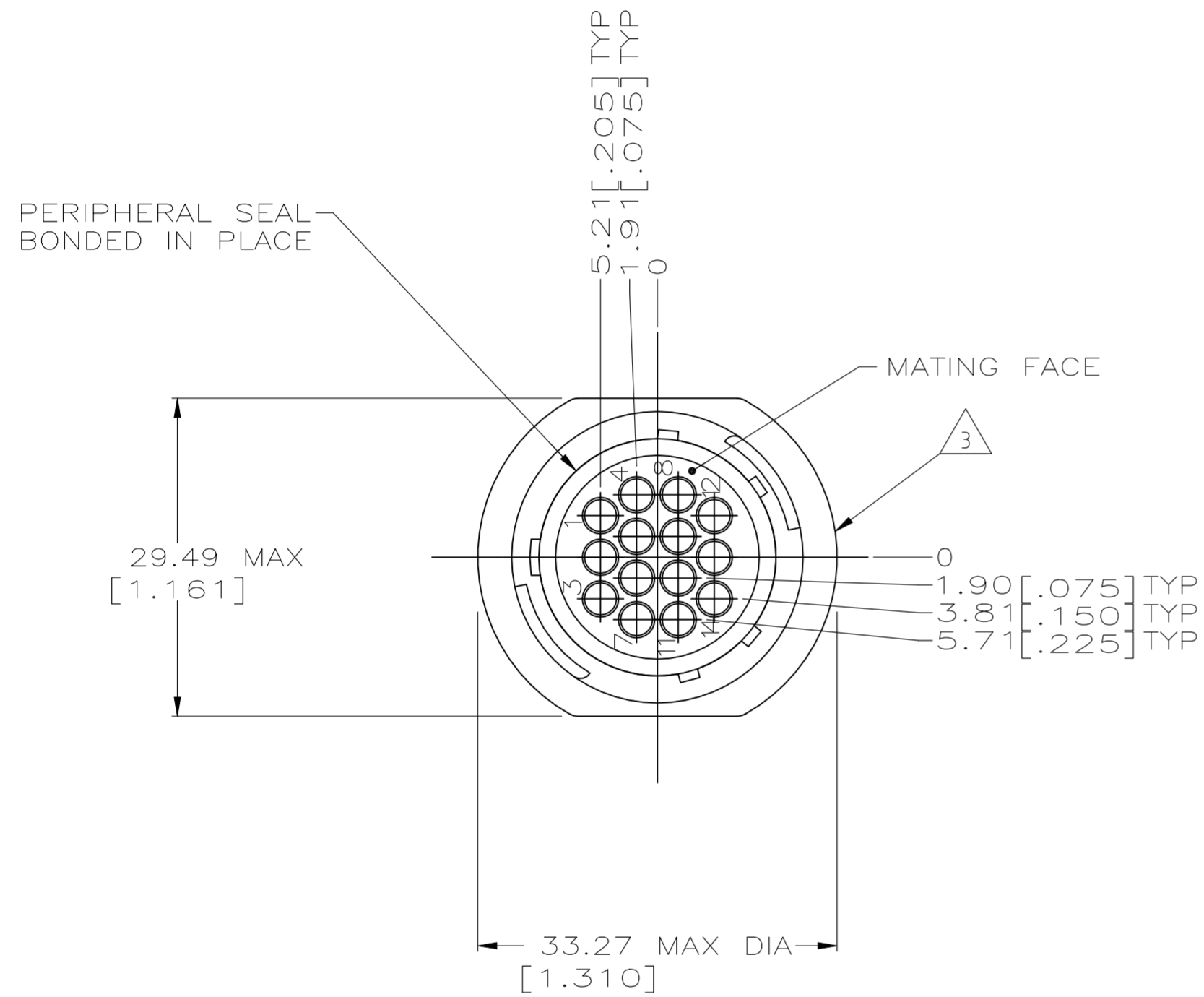


REVISIONS					
P	LTR	DESCRIPTION	DATE	DWN	APVD
E		REVISED PER ECO-21-006948	27OCT2021	RK	MZ

- ① HOUSING, ADAPTER AND PRESSURE PLATE: NYLON, BLACK.
WIRE ENTRY SEAL: ELASTOMER, RED-IRON OXIDE.
PERIPHERAL SEAL: ELASTOMER, BLACK.
- 2. CONNECTOR WILL ACCEPT (14) MULTIMATE SOCKET CONTACTS.
- ③ TE LOGO AND PART NUMBER LOCATED ON ANY FLANGE EDGE



796273-1
PART NUMBER

THIS DRAWING IS A CONTROLLED DOCUMENT.		DWN L. McEACHIN 27JAN2000	TE Connectivity	
DIMENSIONS: mm [INCHES]		CHK K. DOWHOWER 27JAN2000		
TOLERANCES UNLESS OTHERWISE SPECIFIED:		APVD K. DOWHOWER 27JAN2000	NAME ASSEMBLY, RECEPTACLE, REVERSE SEX, 17-14, FREE HANGING, SEALED	
0 PLC ± - 1 PLC ± - 2 PLC ± - 3 PLC ± - 4 PLC ± - ANGLES ± -		PRODUCT SPEC -	SIZE A2	CAGE CODE 00779
MATERIAL ①		FINISH -	DRAWING NO C=796273	RESTRICTED TO -
CUSTOMER DRAWING			SCALE 2:1	SHEET 1 of 1
			REV E	