

U-Bracket-C

SKU: 61522 Weight: 40.00 Gram

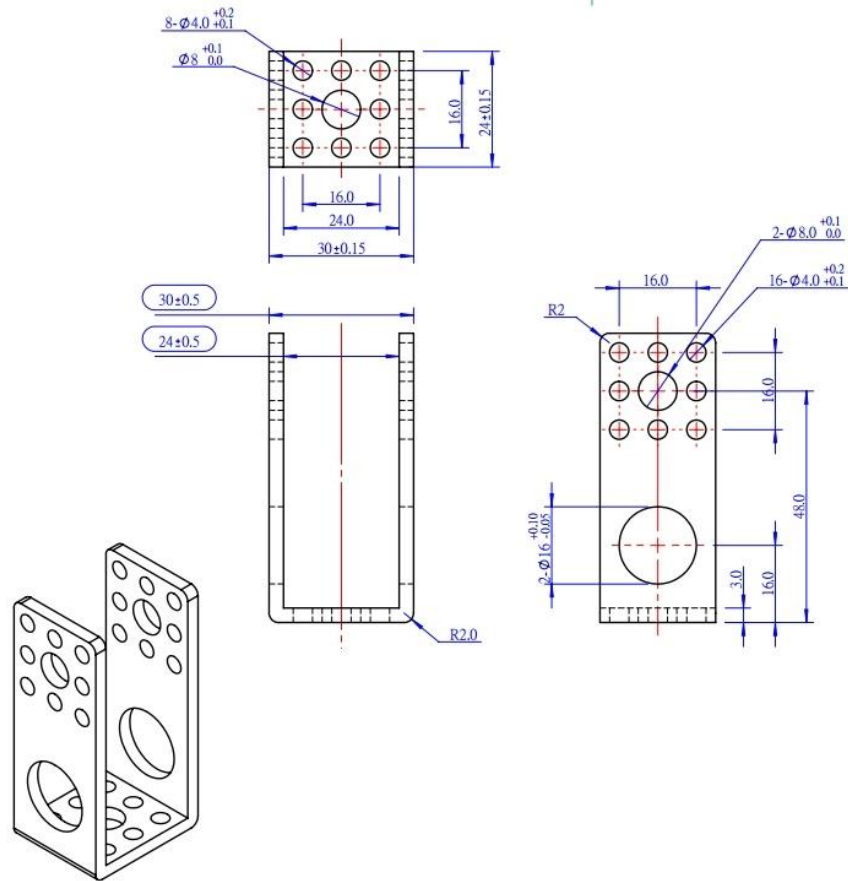
U-Bracket C can operate with 8mm shaft, 8mm bearing and 16mm bearing for mounting 4mm or 8mm shaft.

Features:

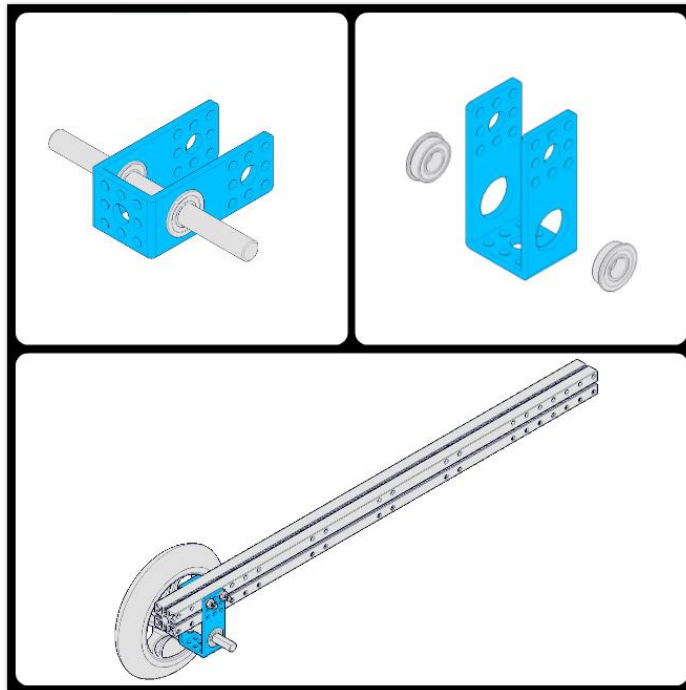
- With 8mm and 16mm holes, it can be used for installation of 8mm and 16mm bearings.
- With aluminum alloy material, it can vertically bear high pressure.

Specifications:

- Material: Aluminum alloy
- Thickness: 3 mm
- Length: 30 mm
- Width: 24 mm
- Height: 60 mm



Examples:



<https://store.makeblock.com/u-bracket-c/2-26-19>