



© 2016 AFCl

Amphenol
FCi

A

B

C

D

1

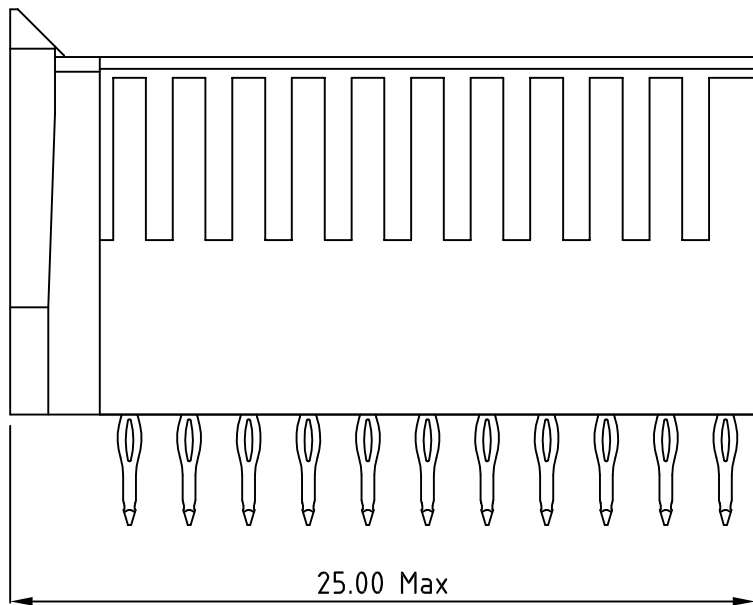
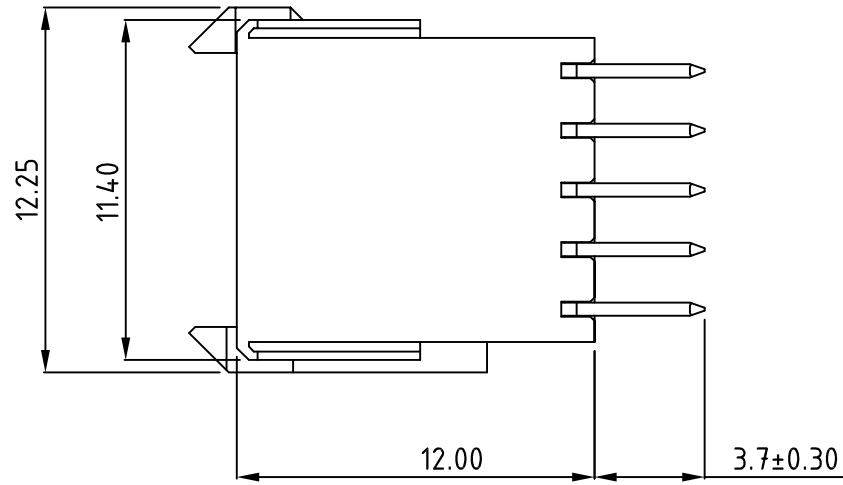
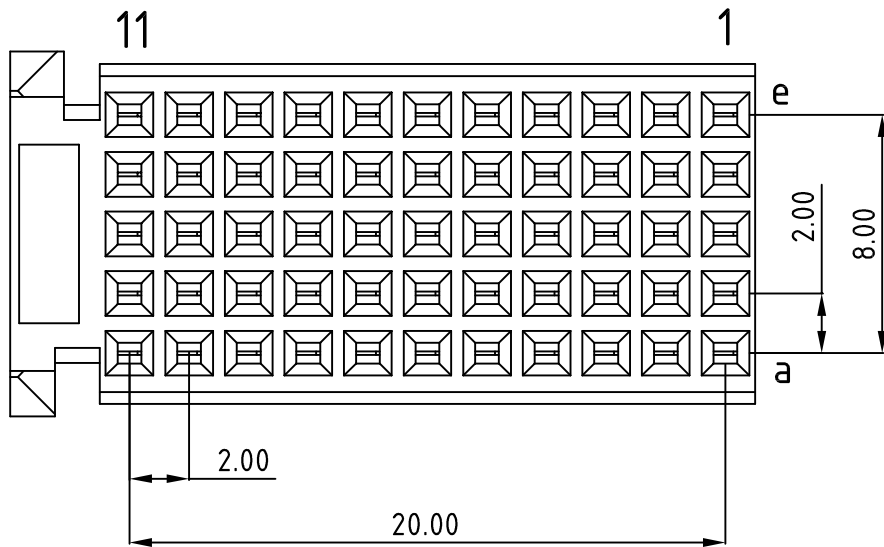
2

3

4

5

6



HM2S30PD5100

LEAD FREE INDICATOR : LF = LEAD FREE
(DIGIT 15 & 16)

PLATING CODE (DIGIT 13 AND 14)
(PLEASE REFER BELOW TABLE)

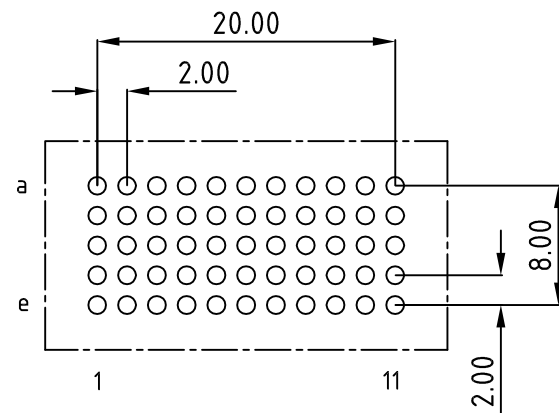
PLATING TABLE

CODE	PLATING	CONTACT AREA	PERFORMANCE LEVEL
AA	0.75µm Au	GOLD OVER NICKEL PLATING.	IEC PERFORMANCE LEVEL 2 (250 mating cycles) or TELCORDIA CO
AB	1.25µm Au	GOLD OVER NICKEL PLATING.	TELCORDIA UE

NOTES

1. THIS PRODUCT MEETS EUROPEAN UNION DIRECTIVES AND OTHER COUNTRY REGULATIONS AS DESCRIBED IN GS-47-0004
2. FOR RECOMMENDED PTH DIMENSIONS REFER DRAWING : BSA201572001

LAYOUT PCB HOLE



CATALOG NO: HM2S30PD5100----

mat'l. code		surface ISO 1302		tolerance ISO 406 ISO 1101		projection 		product family MILLIPACS	
ltr		ecn no		dr		date		title	
A		118-0024		MINI		2018-07-20		MILLIPACS 2 / TYPE-C RECEPTACLE (W/O LOC. PEG) / NO SHIELDING	
				angles		linear		MM	
				0°±1°		-		scale -	
				dr		MINI K VANDANATH		2018-07-20	
				enr		C BINESH		2018-07-20	
				chr		ALEX		2018-07-20	
				appd		BIJU K PAUL		2018-07-20	
sheet index		revision sheet		A		1		dwg no sheet 1 of 1 size A3	
								Amphenol FCi BS, C ,201419, 047	
								type Product Customer Drawing	

1

2

3

4

5

6

A

B

C

D