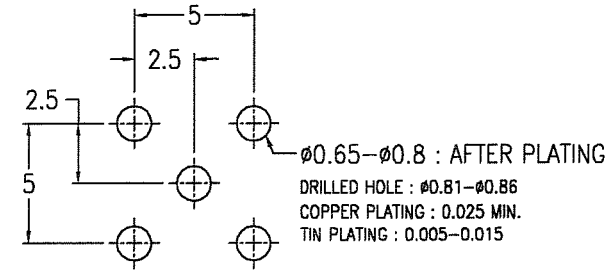
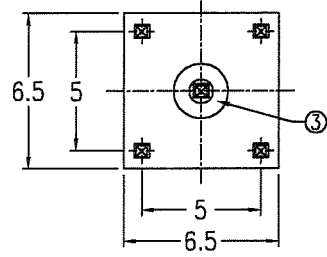
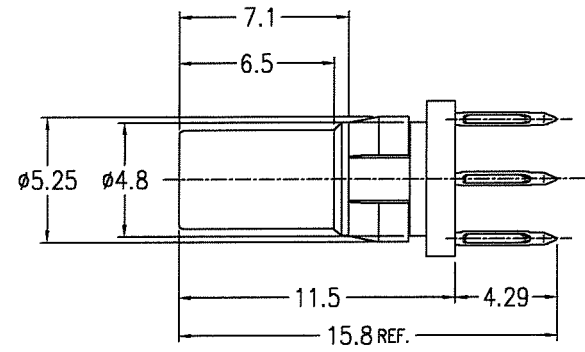


FCI CONFIDENTIAL

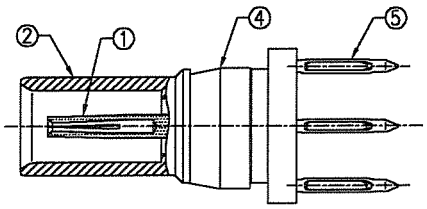


This document is the property of and embodies CONFIDENTIAL and PROPRIETARY information of FCI. No part of this information, shown without the written consent of FCI, is to be disseminated or shared. Copyright FCI.

PRODUCT NO.
10026910-001
10026910-001LF



RECOMMENDED PCB LAYOUT
(TOLERANCES UNLESS OTHERWISE SPECIFIED ±0.05)



10026910-001
10026910-001LF

No.	DESCRIPTION	QTY.	MATERIAL	PLATING
①	INNER CONTACT	1	BeCu	Au 0.8μm
②	SHELL	1	BRASS	Au 0.3μm
		1	BRASS RoHs COMPATIBLE	
③	INSULATOR	2	PTFE	---
④	RETAINER	1	Ph.Bronze	Ni 3-6μm
⑤	P.F. PIN	5	89044-801	SnPb 0.08-1.5μm
		5	89044-801LF	Sn 0.5-1.5μm

NOTE
1. DIMENSIONS ACCORDING TO DIN 41626.
2. LF SUFFIX MEANS FOR NOTE 3 LEADFREE IDENTIFICATION
3. LF PRODUCT MEET EUROPEAN UNION DIRECTIVES AND OTHER COUNTRY REGULATIONS AS DESCRIBED IN GS-22-008

mat'l. code SEE TABLE		surface ISO 1302 ✓ tolerance ISO 406 ISO 1101		projection	product family 5H6F - METRAL OTHERS	CODE JP
ltr	description	ecn no	dr	date	title	
A	RELEASED	J03-0168	Y.K	4/8/'03	DIN COAX RECE. STR P.F. (50 OHM)	
B	REVISED	J06-0079	S.O	3/1/'06	scale N.S.	
C	REVISED	J06-0536	R.S	12/27/'06	dwg no 10026910 sheet 1 of 1 size A4	
sheet index		revision	C		type Product Customer Drawing	
		sheet	1		Rev. C	