

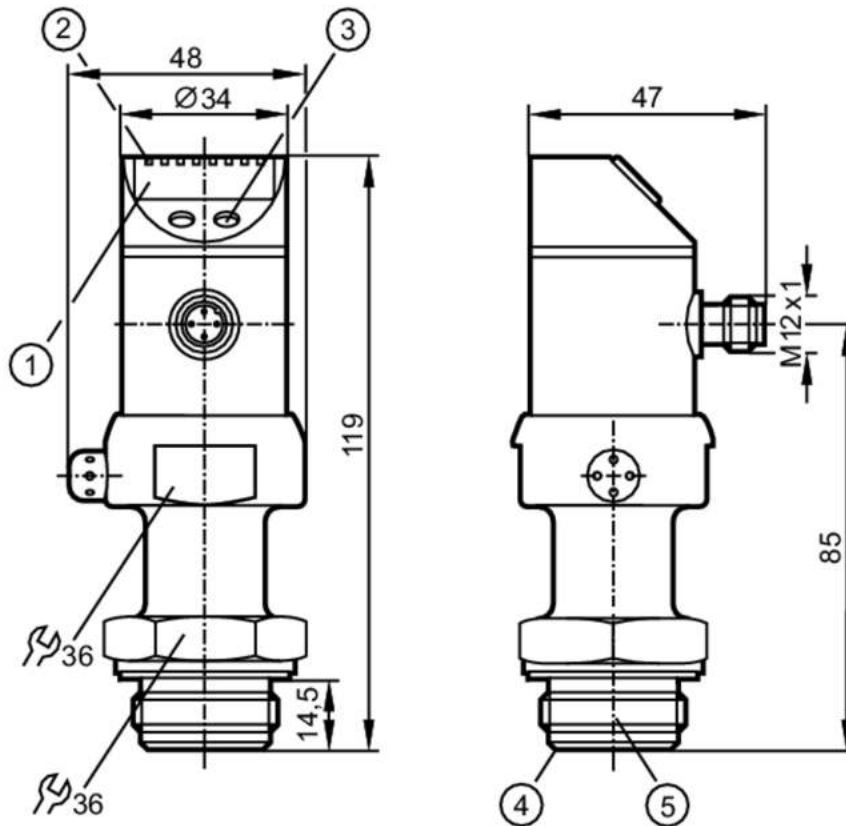
# PI1098



## Flush pressure sensor with display

PI-,25BRES30-E-ZVG/US/ IP

Please do not use for new projects.  
no more adapters available as accessories



- 1 alphanumeric display 4-digit
- 2 status LEDs
- 3 programming button
- 4 Aseptoflex sealing edge
- 5 Aseptoflex thread



EC 1935/2004 EHEDG Tested FCM FDA UK CA

### Product characteristics

Number of inputs and outputs	Number of analogue outputs: 1	
Measuring range	-0.0124...0.25 bar	-12.4...250 mbar
Process connection	threaded connection Aseptoflex external thread Aseptoflex	

### Application

Special feature	Gold-plated contacts
Application	flush mountable for the food and beverage industry
Installation	freely rotatable housing 350°
Media	viscous media and liquids with suspended particles; liquids and gases
Medium temperature [°C]	-25...125; (145 max. 1h)
Min. bursting pressure [mbar]	30000
Pressure rating [mbar]	6000
Type of pressure	relative pressure
No dead space	yes



## Flush pressure sensor with display

PI-,25BRES30-E-ZVG/US/ IP


Electrical data		
Operating voltage	[V]	20...32 DC
Min. insulation resistance	[MΩ]	100; (500 V DC)
Protection class		III
Reverse polarity protection		yes
Power-on delay time	[s]	0.5
Switch-on peak current	[mA]	6
Switch-on peak current duration	[ms]	30
Integrated watchdog		yes
Inputs / outputs		
Number of inputs and outputs		Number of analogue outputs: 1
Outputs		
Total number of outputs		1
Output signal		analogue signal
Number of analogue outputs		1
Analogue current output	[mA]	4...20, invertible; (scalable 1:4)
Max. load	[Ω]	300
Overload protection		yes
Measuring/setting range		
Measuring range		-0.0124...0.25 bar      -12.4...250 mbar
Analogue start point	[mbar]	-12.4...187.4
Analogue end point	[mbar]	50...250
In steps of	[mbar]	0.02
Factory setting		ASP = 0.0 mbar      AEP = 250.0 mbar
Accuracy / deviations		
Repeatability	[% of the span]	< ± 0,1; (with temperature fluctuations < 10 K; Turn down 1:1)
Characteristics deviation	[% of the span]	< ± 0,2; (Turn down 1:1, linearity, incl. hysteresis and repeatability, limit value setting to DIN EN IEC 62828-1)
Linearity deviation	[% of the span]	< ± 0,15; (Turn down 1:1)
Hysteresis deviation	[% of the span]	< ± 0,15; (Turn down 1:1)
Long-term stability	[% of the span]	< ± 0,1; (Turn down 1:1; per year)
Temperature coefficient zero point	[% of the span / 10 K]	< ± 0,05; (0...70 °C)
Temperature coefficient span	[% of the span / 10 K]	< ± 0,15; (0...70 °C)
Response times		
Damping for the analogue output dAA	[s]	0.1...100
Max. response time analogue output	[ms]	40

# PI1098



## Flush pressure sensor with display

PI-,25BRES30-E-ZVG/US/ IP

Software / programming		
Parameter setting options		zero point; span
Operating conditions		
Ambient temperature	[°C]	-25...80
Storage temperature	[°C]	-40...100
Protection		IP 67; IP 69K
Tests / approvals		
EMC	EN 61000-4-2 ESD	4 kV CD / 8 kV AD
	EN 61000-4-3 HF radiated	10 V/m
	EN 61000-4-4 Burst	2 kV
	EN 61000-4-5 Surge	0,5/1 kV
	EN 61000-4-6 HF conducted	10 V
Shock resistance	DIN IEC 68-2-27	50 g (11 ms)
Vibration resistance	DIN IEC 68-2-6	20 g (10...2000 Hz)
MTTF	[years]	259
Mechanical data		
Weight	[g]	401.5
Materials		stainless steel (1.4404 / 316L); PC; PBT; PEI; FKM; PTFE
Materials (wetted parts)		ceramics (99.9 % Al <sub>2</sub> O <sub>3</sub> ); stainless steel (1.4435 / 316L); surface characteristics: Ra < 0,4 / Rz 4; PTFE
Min. pressure cycles		100 million
Process connection		threaded connection Aseptoflex external thread Aseptoflex
Displays / operating elements		
Display	Display unit	6 x LED, green
	function display	alphanumeric display, 4-digit
	measured values	alphanumeric display, 4-digit
Display unit		mbar; kPa; inH <sub>2</sub> O; mmWS; % of the span
Remarks		
Remarks		The 3-A qualification is only valid if adapters with 3-A qualification are used for installation.
Notes		Please do not use for new projects.; no more adapters available as accessories
Pack quantity		1 pcs.
Electrical connection		
Connector: 1 x M12; coding: A; Contacts: gold-plated		
		

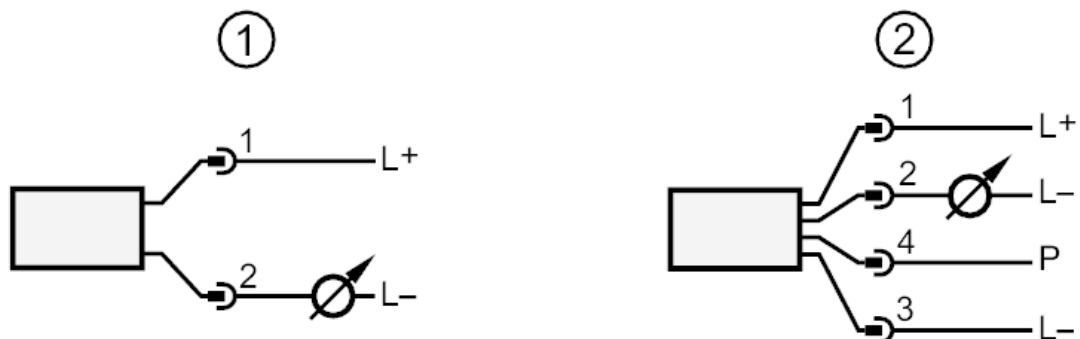
# PI1098



## Flush pressure sensor with display

PI-,25BRES30-E-ZVG/US/ IP

### Connection



- 1: normal operation
- 2: programming operation (P = communication via EPS / FDT interface)