

TMC 7 B2/3 TERM - Terminal adapter



1022232

<https://www.phoenixcontact.com/us/products/1022232>

Please be informed that the data shown in this PDF document is generated from our online catalog. Please find the complete data in the user documentation. Our general terms of use for downloads are valid.

Feeder terminal adapter for TMC 72 or TMC 73 circuit breakers, two- or three-phase bus bars. Rated for 600 V AC/DC 115 A. Wire range 10...1/0 AWG. UL 508 Listed for connection to UL 1077 rated circuit breakers.



Product description

Feed-in terminal adapter for TMC 7 two- and three-pos. bus bars

Commercial data

Item number	1022232
Packing unit	1 pc
Sales key	CL09
Product key	CLA126
GTIN	4055626515908
Weight per piece (including packing)	39.53 g
Weight per piece (excluding packing)	37 g
Country of origin	DE

TMC 7 B2/3 TERM - Terminal adapter



1022232

<https://www.phoenixcontact.com/us/products/1022232>

Technical data

Product properties

Type	Adapter
------	---------

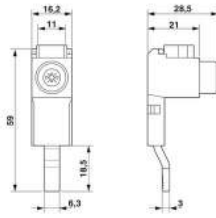
Electrical properties

Rated voltage (III/3)	1000 V AC/DC
-----------------------	--------------

Connection data

Tightening torque, min	5.65 Nm
------------------------	---------

Dimensions

Dimensional drawing	
Width	16.2 mm
Height	28.5 mm

TMC 7 B2/3 TERM - Terminal adapter

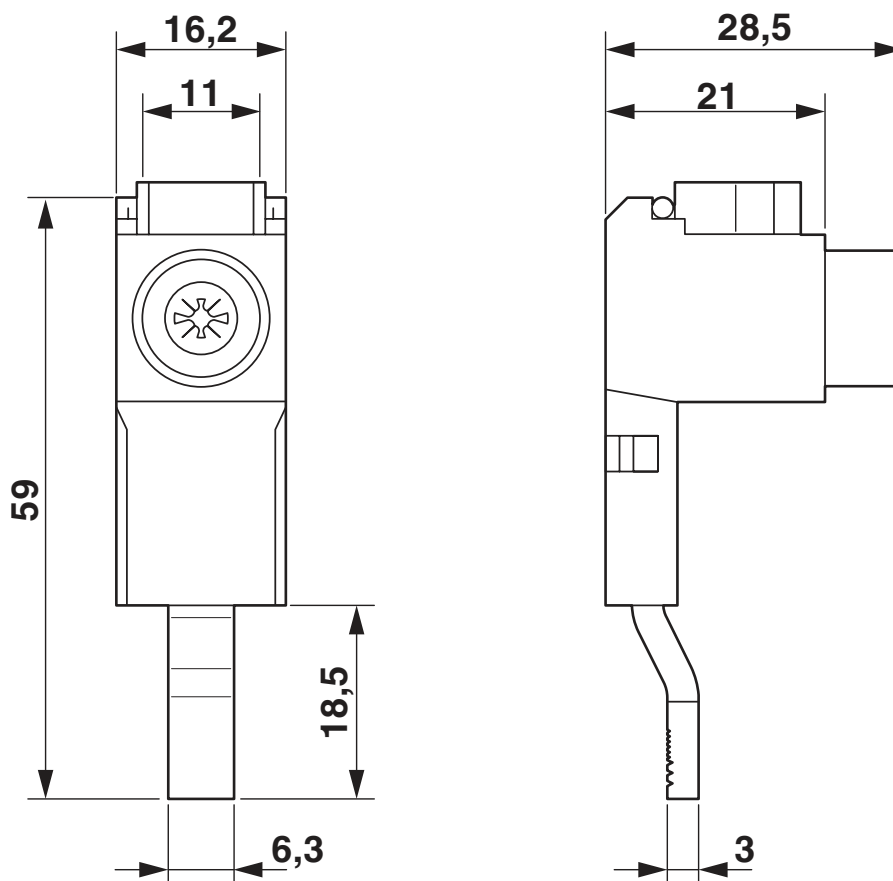
1022232

<https://www.phoenixcontact.com/us/products/1022232>



Drawings

Dimensional drawing



TMC 7 B2/3 TERM - Terminal adapter



1022232

<https://www.phoenixcontact.com/us/products/1022232>

Approvals

To download certificates, visit the product detail page: <https://www.phoenixcontact.com/us/products/1022232>



UL Listed

Approval ID: FILE E 123528



cUL Listed

Approval ID: FILE E 123528

cULus Listed

TMC 7 B2/3 TERM - Terminal adapter



1022232

<https://www.phoenixcontact.com/us/products/1022232>

Classifications

ECLASS

ECLASS-11.0	27144037
ECLASS-12.0	27144037
ECLASS-13.0	27144037

Phoenix Contact 2023 © - all rights reserved

<https://www.phoenixcontact.com>

Phoenix Contact USA
586 Fulling Mill Road
Middletown, PA 17057, United States
(+717) 944-1300
info@phoenixcon.com