

# INTEGRATED CONNECTOR MODULES

## 0826-1AX1-47-F 10/100Base-TX Single Port MagJack® with LEDs



LED1 POLARITY			LED2 POLARITY		
PIN 11	PIN 12	COLOR	PIN 13	PIN 14	COLOR
-	+	YELLOW	-	+	GREEN

### ELECTRICAL CHARACTERISTICS @ 25°C

#### URNS RATIO

TX                                    ICT : 1  
 RX                                    ICT : 1

#### CL @ 100kHz/100mVRMS

8mA DC BIAS                      350µH MIN.

#### INS. LOSS

1MHz TO 100MHz                -1.0 dB MAX

#### RET. LOSS (MIN)

1MHz-30MHz                      -18 dB  
 30MHz-60MHz                    -18+20LOG(F/30MHz) dB  
 60MHz-80MHz                    -12 dB

#### CROSS TALK (TX - RX)

500kHz - 100 MHz                -35 dB MIN

#### CM TO CM REJ

100kHz - 100 MHz                -30 dB MIN

#### CM TO DM REJ

100kHz - 100 MHz                -40 dB MIN

#### HIPOT (Isolation Voltage):

LED 1                                1500 Vrms

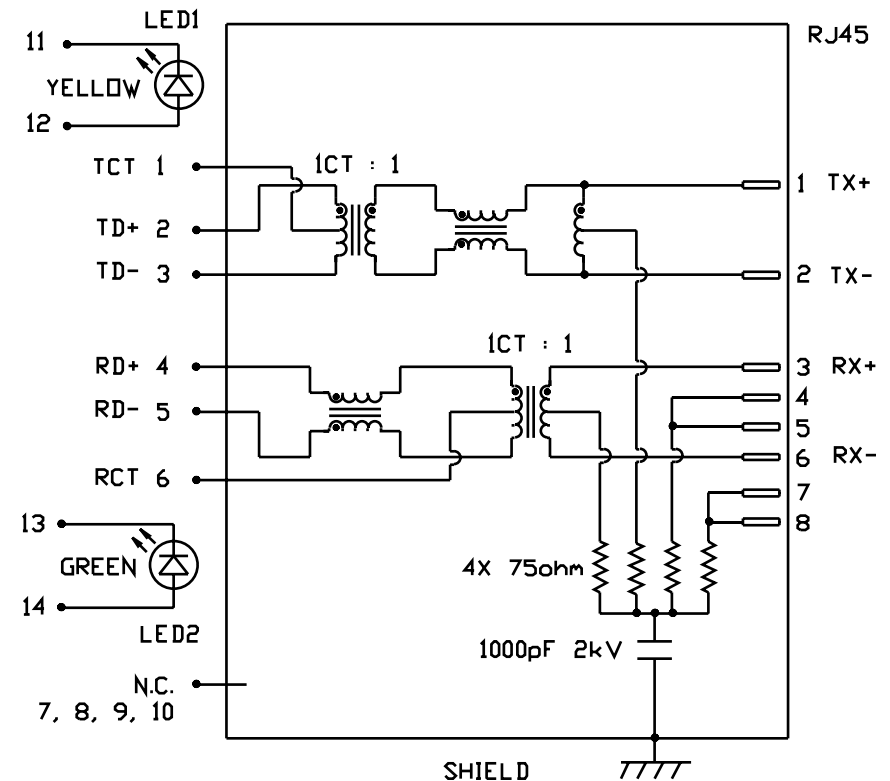
#### LED 1

V<sub>F</sub> (FORWARD VOLTAGE)        IF=20mA YELLOW 2.1V TYP.  
 λ<sub>D</sub> (DOMINANT WAVELENGTH)    IF=20mA YELLOW 590nm TYP.

#### LED 2

V<sub>F</sub> (FORWARD VOLTAGE)        IF=20mA GREEN 2.2V TYP.  
 λ<sub>D</sub> (DOMINANT WAVELENGTH)    IF=20mA GREEN 565nm TYP.

### SCHEMATIC

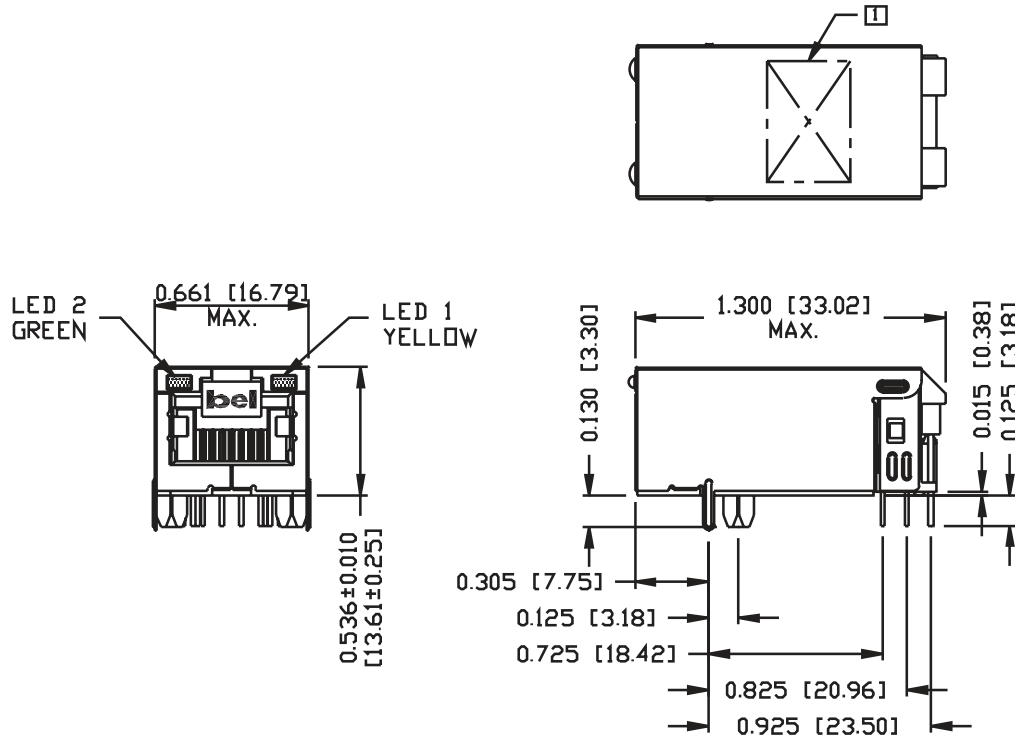


# INTEGRATED CONNECTOR MODULES

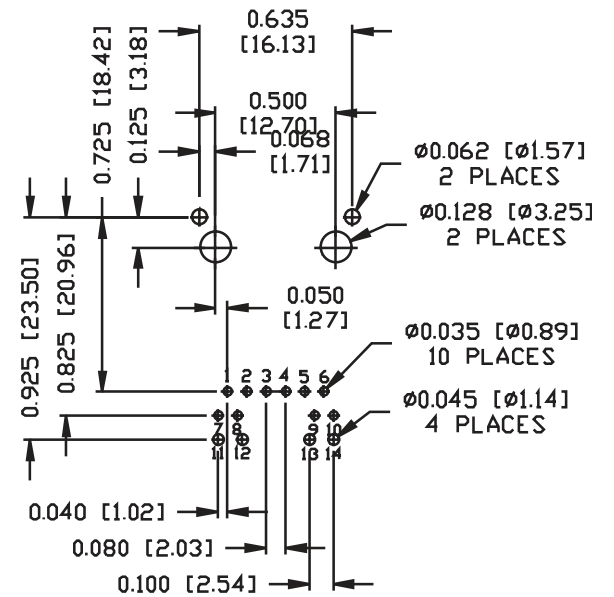
## 0826-1AX1-47-F 10/100Base-TX Single Port MagJack® with LEDs



### MECHANICAL SPECIFICATION



### RECOMMENDED PCB FOOTPRINT COMPONENT SIDE VIEW



**NOTES:**

- PLASTIC HOUSING: THERMOPLASTIC PA 4/6  
FLAMMABILITY RATING UL 94V-0
- CONTACTS: 50 MICRO-INCH HARD GOLD PLATING
- OUTPUT PINS: TIN-COATED COPPER WIRE, DIA 0.018 INCH.
- SOLDERABILITY: PER MIL STD. 202, METHOD 208.
- METAL SHIELD: TIN/LEAD PLATED ON COPPER ALLOY.

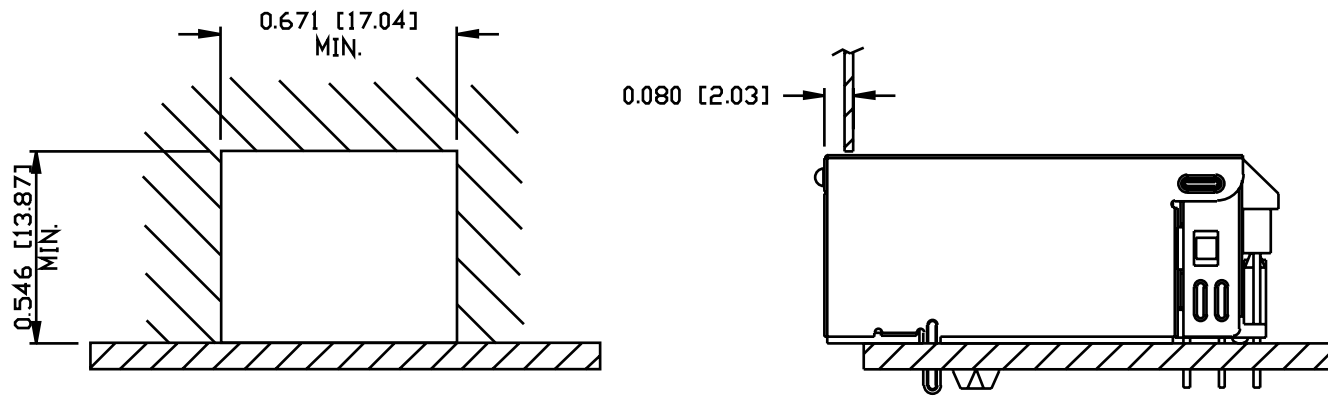
1. MARK PART WITH MFG LOGO, MFG NAME, PART NUMBER, AND DATE CODE.

RoHS COMPLIANCE, PER EU DIRECTIVE 2002/95/EC

**INTEGRATED CONNECTOR MODULES**  
**0826-1AX1-47-F 10/100Base-TX Single Port MagJack® with LEDs**



SUGGESTED PANEL OPENING



PACKING INFORMATION

PACKING TRAY : 0200-0148-24 (TOP)  
 0200-0148-25 (BOTTOM)

PACKING QUANTITY : 40 PCS FINISHED GOODS PER TRAY  
 10 TRAY (400 PCS FINISHED GOODS) PER CARTON BOX

NOTE : CARDBOARDS ARE PLACED BETWEEN LAYERS OF PACKING TRAY INSIDE CARTON BOX  
 (INCLUDE THE UPPERMOST AND LOWERMOST TRAY)