



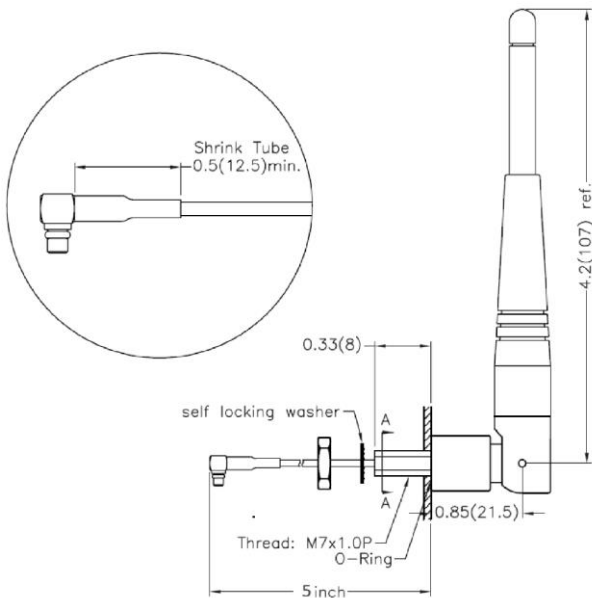
ELECTRICAL SPECIFICATIONS

Operating Frequency (MHz)	2400-2500
VSWR	<2.0:1
Gain (dBi)*	2.0
Radiation	Omnidirectional
Nominal Impedance (Ohms)	50
Polarization	Vertical

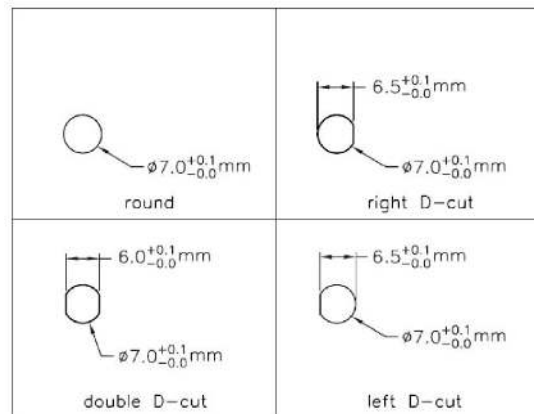
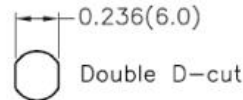
MECHANICAL SPECIFICATIONS

Radome Material	Overmold	Polyurethane (black)
	Swivel	Polyurethane (black) Polycarbonate (black)
Cable	M17/93-RG178	
Cable Length – cm (in.)	12.7 (5.0) – Standard length unless otherwise specified	
Connector	R/A MMCX plug (male)	
Operating Temperature – °C (°F)	-20 to +65 (-4 to +149)	
Storage Temperature – °C (°F)	-30 to +75 (-22 to +167)	

* Gain is measured under no flying lead.



A-A view—Thread cross-section



Recommended mounting hole dimensions



Laird Connectivity warrants to the original end user customer of its products that its products are free from defects in material and workmanship. Subject to conditions and limitations Laird Connectivity will, at its option, either repair or replace any part of its products that prove defective because of improper workmanship or materials. This limited warranty is in force for the useful lifetime of the original end product into which the Laird Connectivity product is installed. Useful lifetime of the original end product may vary but is not to exceed five (5) years from the original date of the end product purchase.

Any information furnished by Laird Connectivity and its agents is believed to be accurate and reliable. All specifications are subject to change without notice. Responsibility for the use and application of Laird Connectivity materials rests with the end user, since Laird Connectivity and its agents cannot be aware of all potential uses. Laird Connectivity makes no warranties as to the fitness, merchantability, or suitability of any Laird Connectivity materials or products for any specific or general uses. Laird Connectivity shall not be liable for incidental or consequential damages of any kind. All Laird Connectivity products are sold pursuant to the Laird Connectivity Terms and Conditions of sale in effect from time to time, a copy of which will be furnished upon request.

© Copyright 2020 Laird Connectivity Inc. All Rights Reserved. Laird Connectivity, the Laird Connectivity logo, and other marks are trademarks or registered trademarks of Laird Connectivity or an affiliate company thereof. Other product or service names may be the property of third parties. Nothing herein provides a license under any Laird Connectivity or any third party intellectual property rights.

sales@lairdconnect.com
support@lairdconnect.com
www.lairdconnect.com

