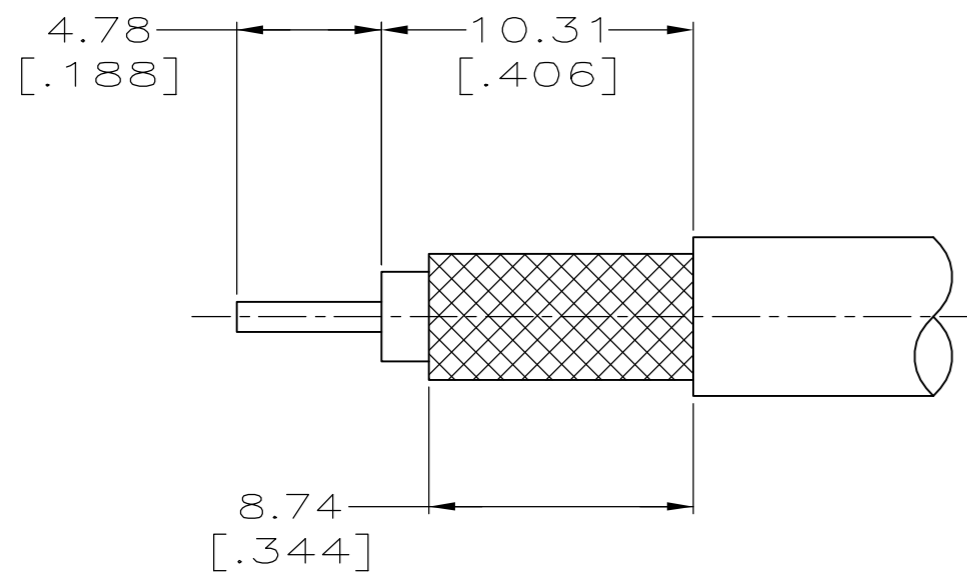
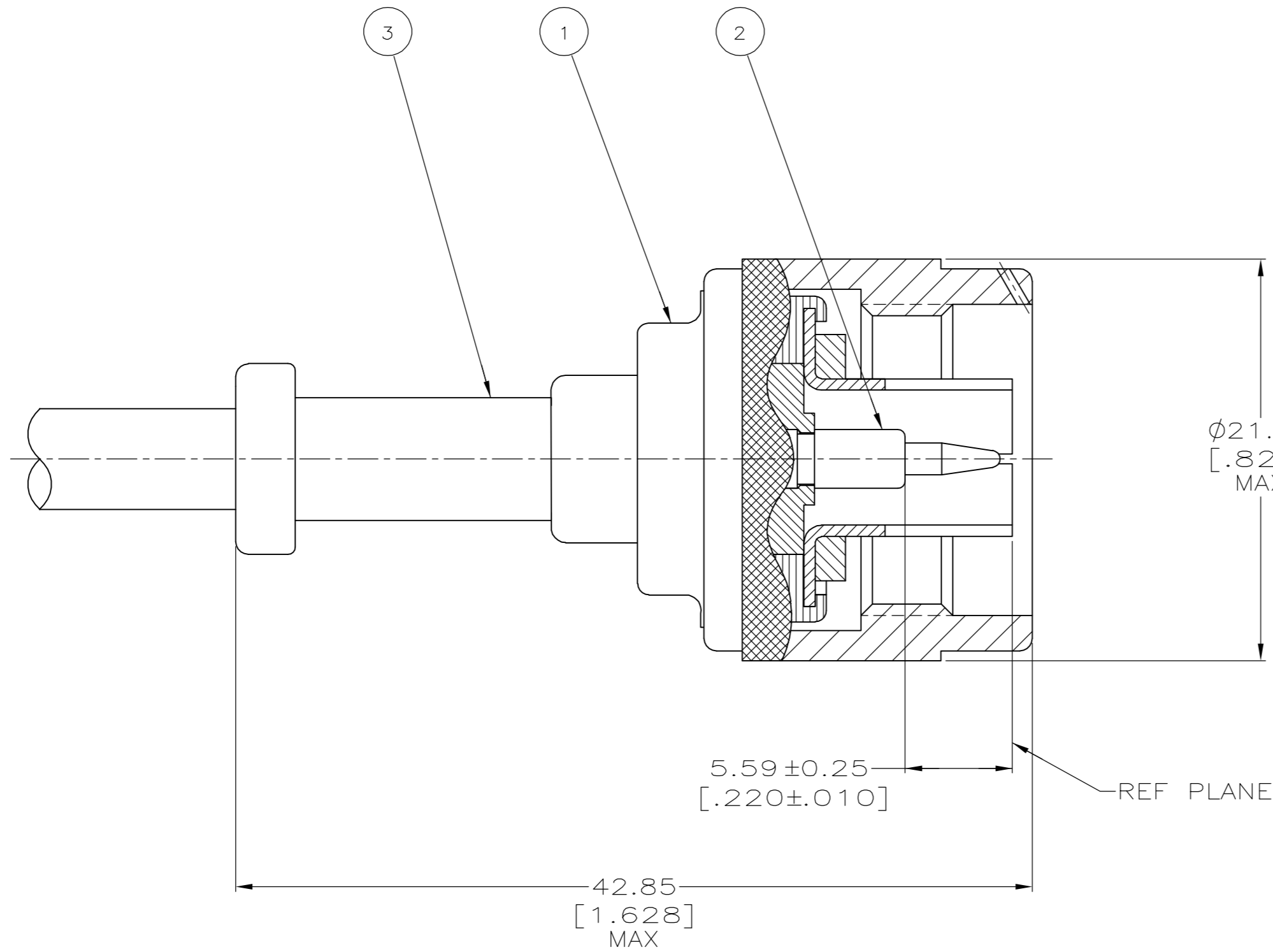


THIS DRAWING IS UNPUBLISHED. RELEASED FOR PUBLICATION
 © COPYRIGHT BY TYCO ELECTRONICS CORPORATION. ALL RIGHTS RESERVED.

LOC	DIST	REVISIONS					
AJ	16	P	LTR	DESCRIPTION	DATE	DWN	APVD
		0		REV PER EC-0S14-0496-04	31JAN2005	AF	GM

1. PARTS PACKAGED UNASSEMBLED.
2. FOR USE WITH RG-142/U, -142A/U, & -142B/U CABLE.
3. USE HAND TOOL PART NUMBER 220045-2 TO CRIMP.
4. SEE INSTRUCTION SHEET 2028-1 FOR CRIMPING INSTRUCTIONS.



RECOMMENDED STRIP LENGTHS

9-225560-0	225343-4	225412-3	5225699-1
③ FERRULE QTY=1	② CONTACT QTY=1	① PLUG ASSY QTY=1	PART NUMBER

THIS DRAWING IS A CONTROLLED DOCUMENT.		DWN A. FERNANDEZ-DOCK5 31JAN2005	tyco Tyco Electronics Corporation Harrisburg, PA 17105-3608	
DIMENSIONS: mm [inches]		CHK J. HAVENER 31JAN2005	NAME PLUG, WEATHERPROOF, N SERIES	
TOLERANCES UNLESS OTHERWISE SPECIFIED:		APVD G. MICHAEL 31JAN2005	PRODUCT SPEC	
0 PLC ± -		APPLICATION SPEC		
1 PLC ± -		WEIGHT		
2 PLC ± 0.41 [.016]		SIZE A2		
3 PLC ± -		CAGE CODE 00779		
4 PLC ± -		DRAWING NO C=5225699		
ANGLES ± -		RESTRICTED TO		
FINISH		SCALE 4:1 SHEET 1 OF 1 REV 0		
MATERIAL		CUSTOMER DRAWING		