

**Please note that Cypress is an Infineon Technologies Company.**

The document following this cover page is marked as “Cypress” document as this is the company that originally developed the product. Please note that Infineon will continue to offer the product to new and existing customers as part of the Infineon product portfolio.

**Continuity of document content**

The fact that Infineon offers the following product as part of the Infineon product portfolio does not lead to any changes to this document. Future revisions will occur when appropriate, and any changes will be set out on the document history page.

**Continuity of ordering part numbers**

Infineon continues to support existing part numbers. Please continue to use the ordering part numbers listed in the datasheet for ordering.

# EZ-BT™ ARDUINO MODULE EVALUATION BOARD CYBT-253059-EVAL



The EZ-BT™ Arduino Module Evaluation Board (CYBT-253059-EVAL) enables you to evaluate and develop applications on the CYBT-253059-02 EZ-BT WICED® Module. CYBT-253059-EVAL can be used as a standalone evaluation kit or combined with Arduino-compatible shields.

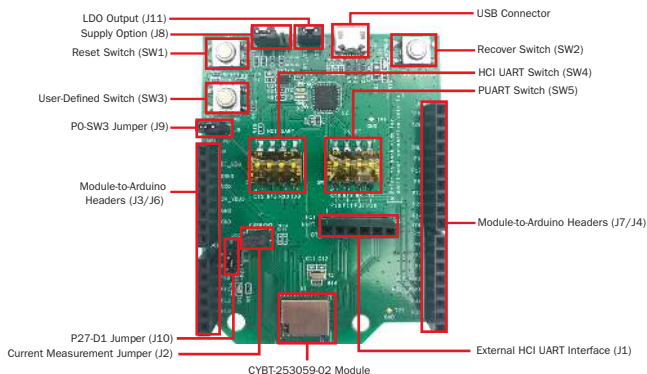
The CYBT-253059-02 WICED Module is a fully integrated, fully certified, 11.0 mm x 11.0 mm x 1.70 mm, programmable, Bluetooth® Smart Ready module designed to reduce your time-to-market.

For more information, visit:

[www.cypress.com/bluetooth\\_modules](http://www.cypress.com/bluetooth_modules) - EZ-BT Module home page

[www.cypress.com/EZ-Serial](http://www.cypress.com/EZ-Serial) - EZ-Serial Firmware Platform page

[www.cypress.com/Modus](http://www.cypress.com/Modus) - ModusToolbox™ page



**Figure 1: CYBT-253059-EVAL Top View**

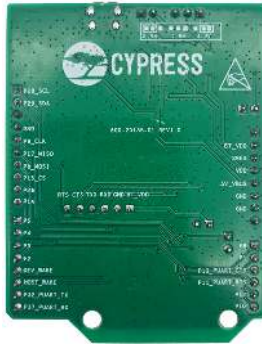
To use CYBT-253059-EVAL:

- 1) Configure the evaluation board headers/switches to the desired settings.
- 2) Connect the evaluation board to a PC via a USB cable.
- 3) Open ModusToolbox, develop your application, program, and test.

**Note:** Recover CYBT-253059-EVAL before programming. The Arduino-compatible headers (J3/J4/J6/J7) are optional connections, which provide additional I/O connections to the module and allow for other Arduino shields to be used during development.

# EZ-BT™ ARDUINO MODULE EVALUATION BOARD

## CYBT-253059-EVAL



**Figure 2: CYBT-253059-EVAL Bottom View**

- SW1: Reset switch routed to the XRES connection on the module.
- SW2: Recover switch routed to the UART\_CTS connection on the module.
- SW3: User-defined switch routed to the P0 connection on the module via J9.
- SW4: Switch connecting HCI UART connections on the module to the host via USB.
- SW5: Switch connecting PUART connections on the module to the host via USB.
- J1: Connection for external interface for direct HCI UART communication.
- J2: Used to measure the module power supply current.
- J3/J4/J6/J7: Arduino-compatible headers used with an Arduino-compatible shield.
- J8: Configures the VDD voltage input to the module as shown in the table below:

J8 Jumper Configuration	VDD Voltage Level
Short 1 & 2	3.0 V
Short 2 & 3	2.6 V

- J9: Connects the P0 pad on the module to SW3.
- J10: Connects the P27 pad on the module to LED D1.
- J11: Module power supply selection from LDO or external connector.

The EZ-BT CYBT-253059-02 Module supports Bluetooth SIG Mesh, is qualified for the Bluetooth 5.0 specification, and certified for the 2.4-GHz unlicensed frequency range in USA (FCC), Canada (ISED), Europe (CE), and Japan (MIC).

Visit [www.cypress.com/support](http://www.cypress.com/support) for technical support.