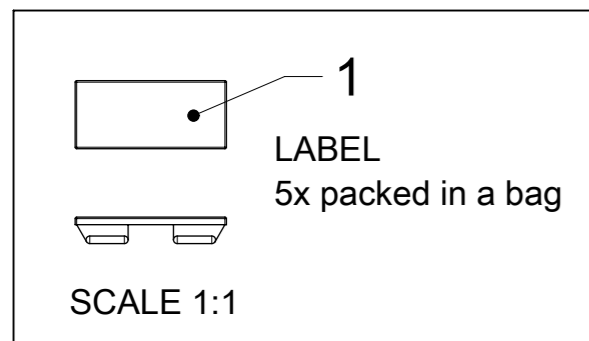


TABLE 1

MOLEX P/N	ENG. NO.	CABLE LENGTH (mm)	LED
1202510019	BKB4000-FBW-05	5000	NO
1202510020	BKB4000-FBW-10	10000	NO
1202510021	BKB4000-FBW-15	15000	NO
1202510022	BKB400P-FBW-05	5000	YES
1202510023	BKB400P-FBW-10	10000	YES
1202510024	BKB400P-FBW-15	15000	YES
1202510025	BKB400N-FBW-05	5000	YES
1202510026	BKB400N-FBW-10	10000	YES
1202510027	BKB400N-FBW-15	15000	YES

TABLE 2 BILL OF MATERIAL

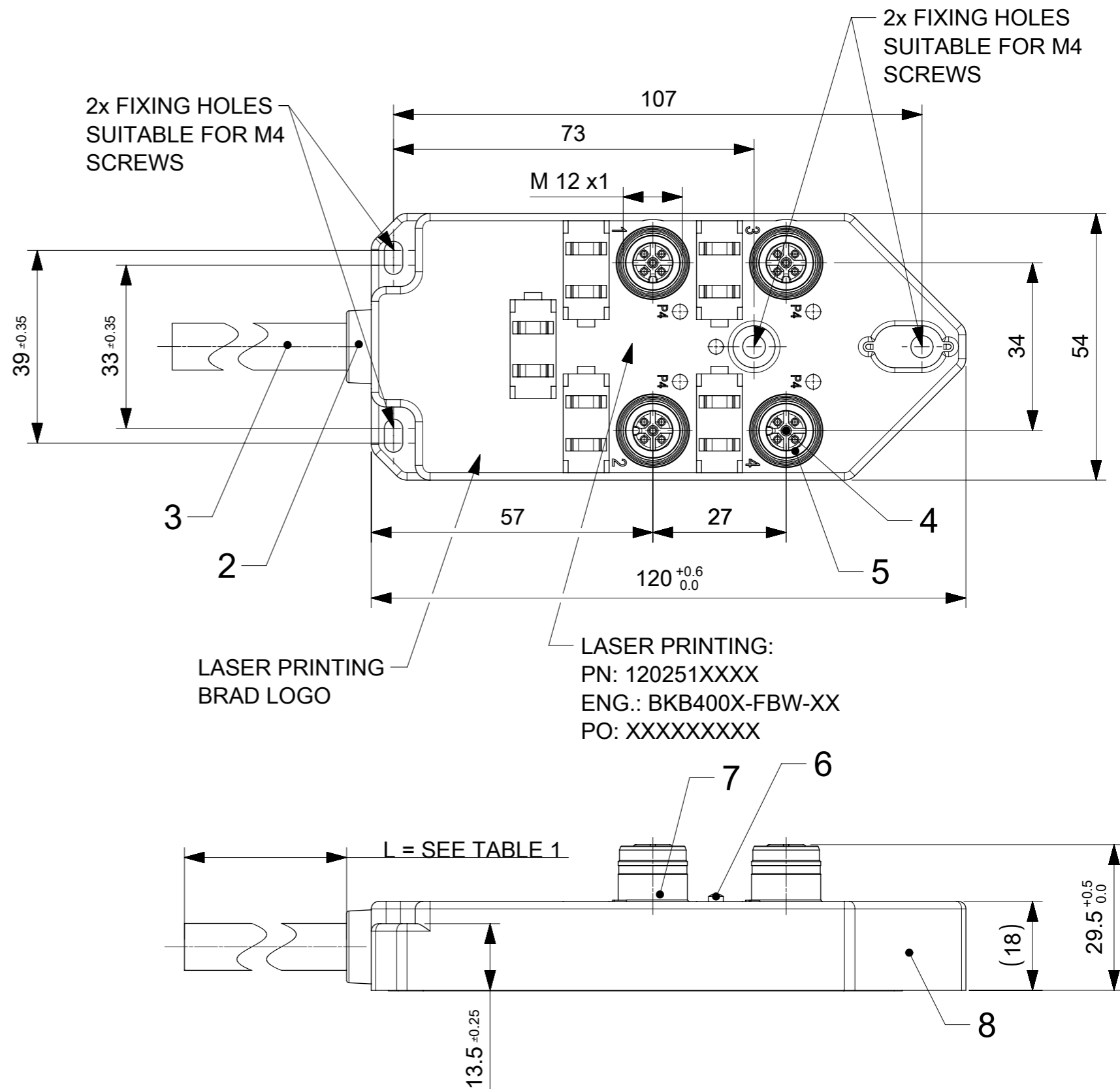
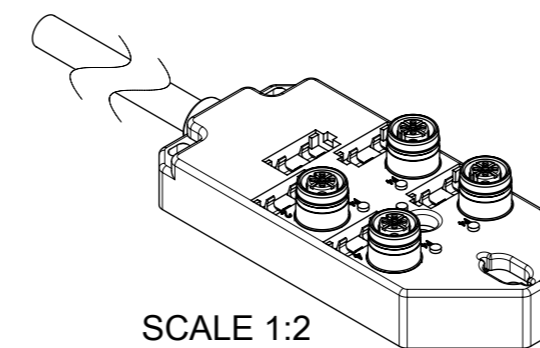
ITEM	DESCRIPTION	MATERIAL	FINISH
1	LABEL	ABS	WHITE
2	CABLE PLATE	PBT	BLACK
3	CABLE	TPU BASED	BLACK
4	CONTACT	BRONZE	GOLD OVER NICKEL
5	O-RING	FPM	RED
6	LED	NO LED = PA	BLACK
		WITH LED = PA	TRANSPARENT
7	SHELL	BRASS	NICKEL PLATED
8	HOUSING	PBT	BLACK



GENERAL CHARACTERISTICS:

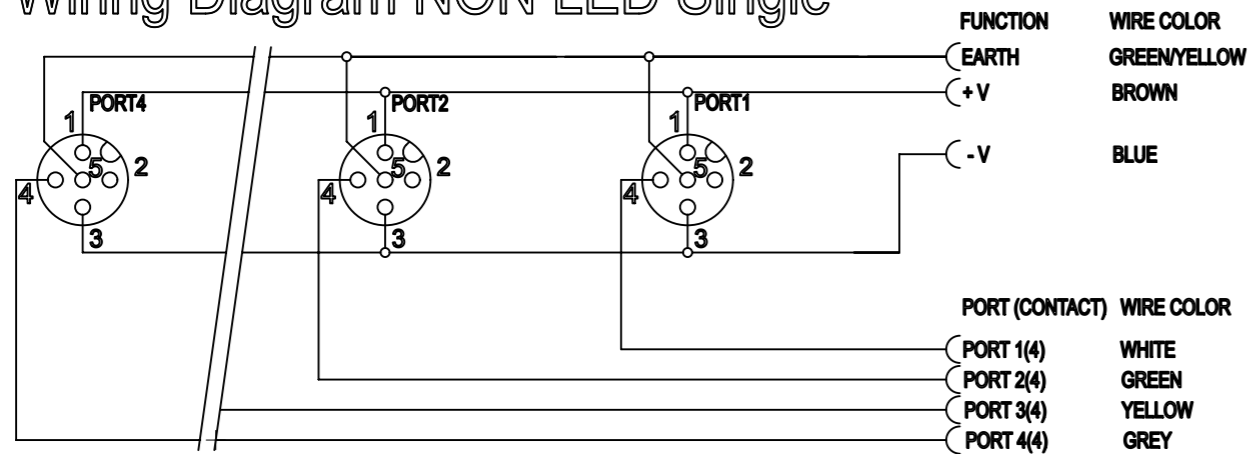
ELECTRICAL AND MECHANICAL DATA ACC. TO IEC 61076-2-101

NOMINAL VOLTAGE: 10-30 V DC
 AMPERE RATING: 4 A PER PORT / 12 A MAX
 AMPERE RATING WITH UL REGISTRATION: 3 A PER PORT / 9 A MAX
 IP DEGREE OF PROTECTION: IP 67
 TEMPERATURE RANGE: -25°C to + 85°C

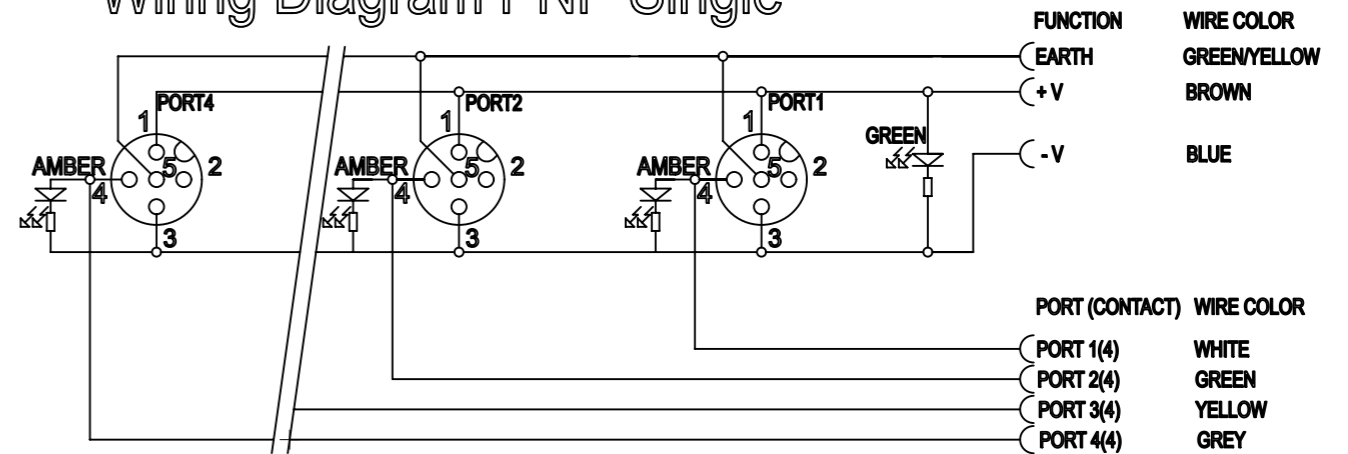


SYMBOLS		THIS DRAWING CONTAINS INFORMATION THAT IS PROPRIETARY TO MOLEX ELECTRONIC TECHNOLOGIES, LLC AND SHOULD NOT BE USED WITHOUT WRITTEN PERMISSION	
DIMENSION UNITS	SCALE	CURRENT REV DESC: INITIAL RELEASE	
mm	1:1	molex MPIS U12 NON PNP NPN 4P 4PT BK XM SINGLE	
GENERAL TOLERANCES (UNLESS SPECIFIED)			
ANGULAR TOL	± 1.0°	EC NO: 631635 DRWN: MDHARMANTI 2020/01/27 CHK'D: RSILLER 2020/02/05 APPR: RSILLER 2020/02/05	
4 PLACES	±	INITIAL REVISION: DRWN: SSM 2018/11/29 APPR: RSILLER 2020/01/17	
3 PLACES	±	DOCUMENT NUMBER: 1202510019 DOC TYPE: PSD DOC PART: 000 REVISION: A1	
2 PLACES	± 0.05	MATERIAL NUMBER: SEE TABLE 1 CUSTOMER: GENERAL MARKET	
1 PLACE	± 0.3	SHEET NUMBER: 1 OF 2	
0 PLACES	± 0.5	THIRD ANGLE PROJECTION:	
DRAFT WHERE APPLICABLE MUST REMAIN WITHIN DIMENSIONS		DRAWING: A3-SIZE	SERIES: 120251

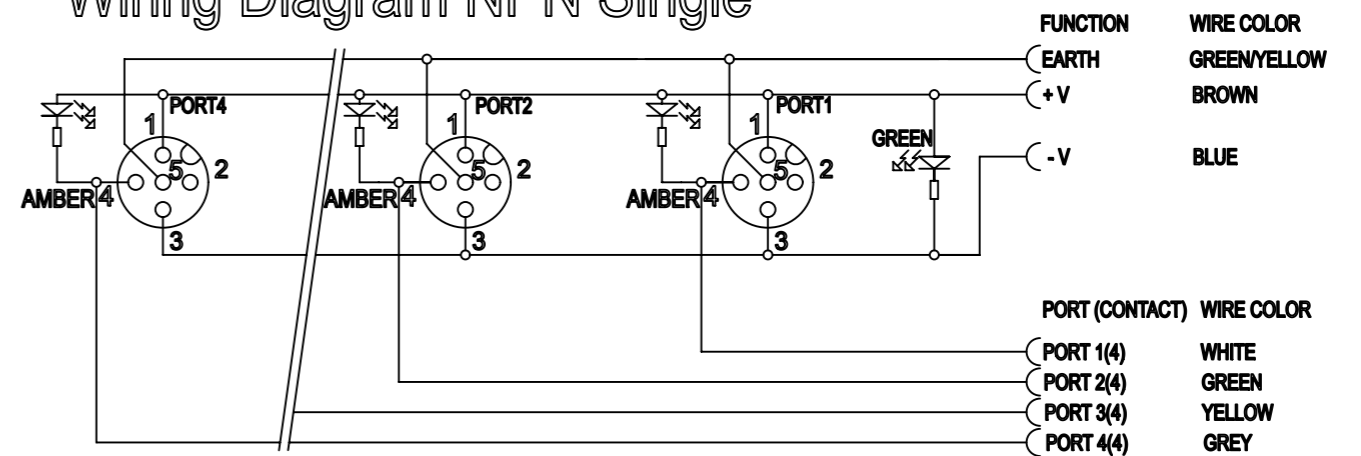
Wiring Diagram NON LED Single



Wiring Diagram PNP Single



Wiring Diagram NPN Single



CABLE LENGTH TOLERANCES

LENGTH [m]	TOLERANCE [mm]
0-1	+40
>1-5	+60
>5-10	+80
>10-20	+140
>20-30	+160
>30	+1% length

SYMBOLS DIMENSION UNITS: mm SCALE: 1:1 GENERAL TOLERANCES (UNLESS SPECIFIED): ANGULAR TOL ± 1.0° 4 PLACES ± 3 PLACES ± 2 PLACES ± 0.05 1 PLACE ± 0.3 0 PLACES ± 0.5 DRAFT WHERE APPLICABLE MUST REMAIN WITHIN DIMENSIONS THIRD ANGLE PROJECTION	THIS DRAWING CONTAINS INFORMATION THAT IS PROPRIETARY TO MOLEX ELECTRONIC TECHNOLOGIES, LLC AND SHOULD NOT BE USED WITHOUT WRITTEN PERMISSION CURRENT REV DESC: INITIAL RELEASE			
	EC NO: 631635 DRWN: MDHARMANTI 2020/01/27 CHK'D: RSILLER 2020/02/05 APPR: RSILLER 2020/02/05			
INITIAL REVISION: DRWN: SSM 2018/11/29 APPR: RSILLER 2020/01/17			PRODUCT CUSTOMER DRAWING	
DOCUMENT NUMBER: 1202510019		DOC TYPE: PSD	DOC PART: 000	REVISION: A1
MATERIAL NUMBER: SEE TABLE 1		CUSTOMER: GENERAL MARKET		SHEET NUMBER: 2 OF 2