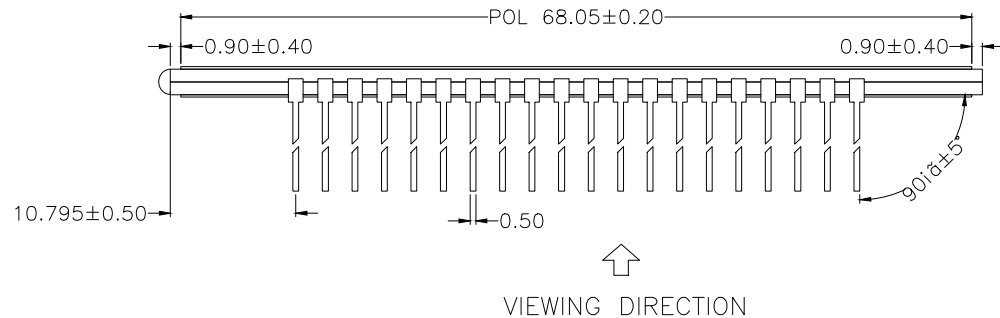
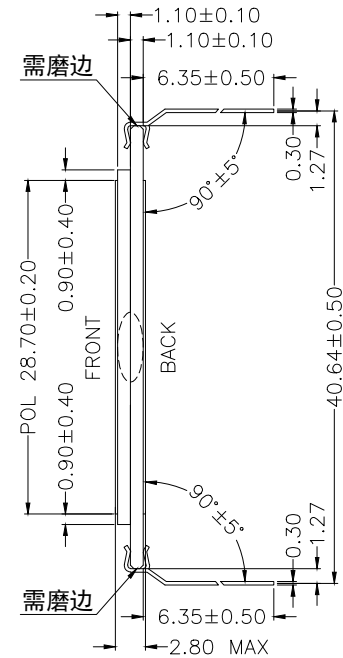
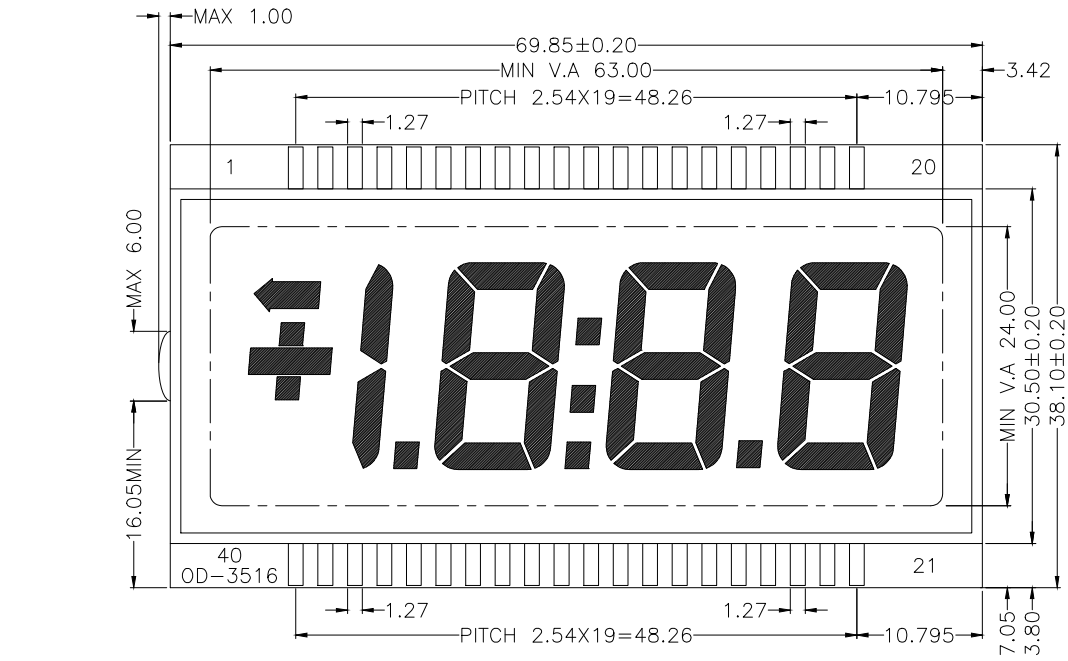


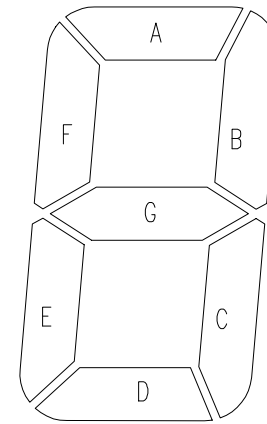
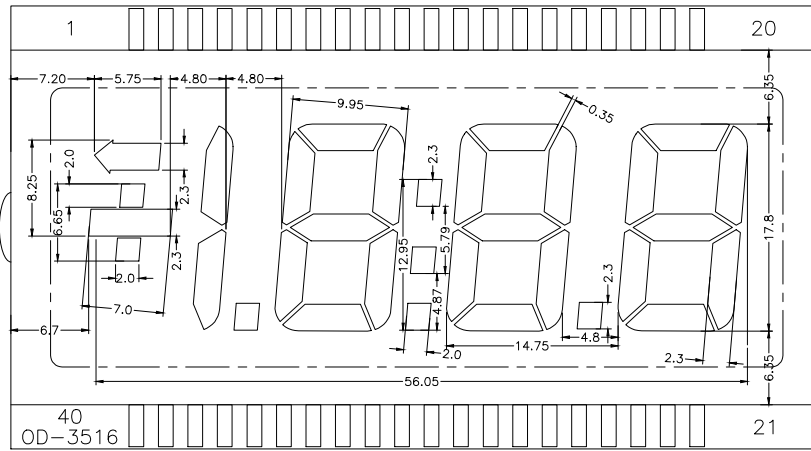
1		2		3		4		5		6	
THIS DRAWING IS PROPERTY OF ORIENT DISPLAY. ALL RIGHTS RESERVED.		ITEM	PARAMETERS	ITEM	PARAMETERS	ITEM	PARAMETERS	ITEM	PARAMETERS	ITEM	PARAMETERS
		DISPLAY TYPE	TN, POSITIVE	VIEWING DIRECTION	6.0° CLOCK	LCD OPERATING VOLTAGE	5.0V	IC	--	BACKLIGHT	/
		DRIVING METHOD	STATIC	OPERATION TEMPERATURE	-20°C TO 70°C	LOGIC VOLTAGE(VDD)	--	CONNECTOR			
		POLARIZER TYPE	REFLECTIVE	STORAGE TEMPERATURE	-30°C TO 80°C	SURFACE LUMINANCE	--				



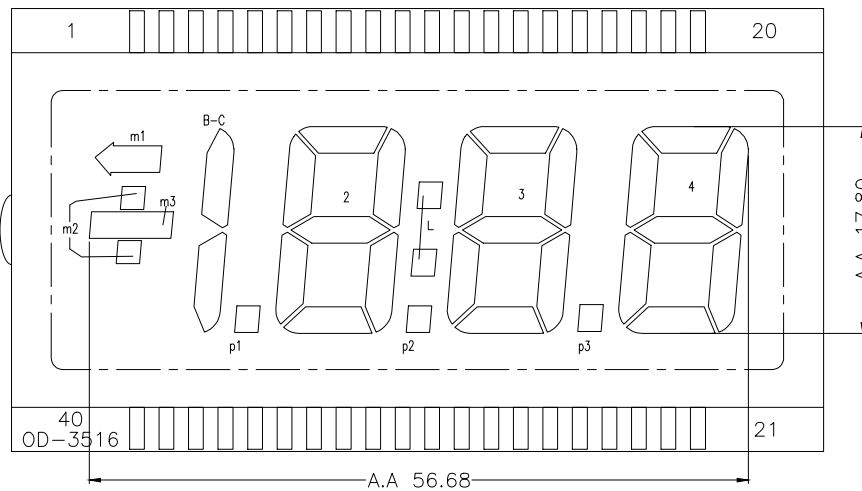
TITLE	LCD	PART NO.	OD-3516
REV.	1	CUSTOMER NO.	OD-3516
SCALE	FIT	UNIT	mm
ROHS/REACH COMPLIANT	YES	CUSTOMER'S APPROVAL	
UNMARKED TOLERANCE	±0.2		

01	改封口尺寸				Feb-15
REV.	SYMBOL	DESCRIPTION			DATE

PIN	1	2	3	4	5	6	7	8	9	10	11	12	13	14	15	16	17	18	19	20
COM1	COM1	m2	m1	/	/	/	/	/	2G	2F	2A	2B	L	3G	3F	3A	3B	4G	4F	4A
PIN	21	22	23	24	25	26	27	28	29	30	31	32	33	34	35	36	37	38	39	40
COM1	4B	4C	4D	4E	P3	3C	3D	3E	P2	2C	2D	2E	P1	/	/	/	/	1BC	M3	COM1



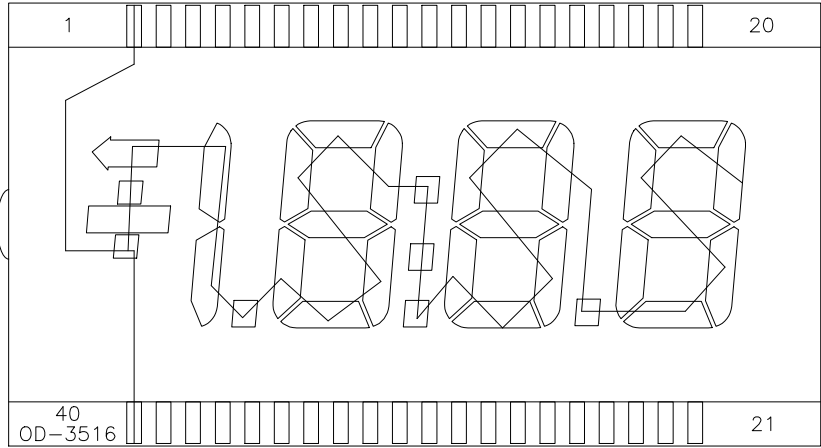
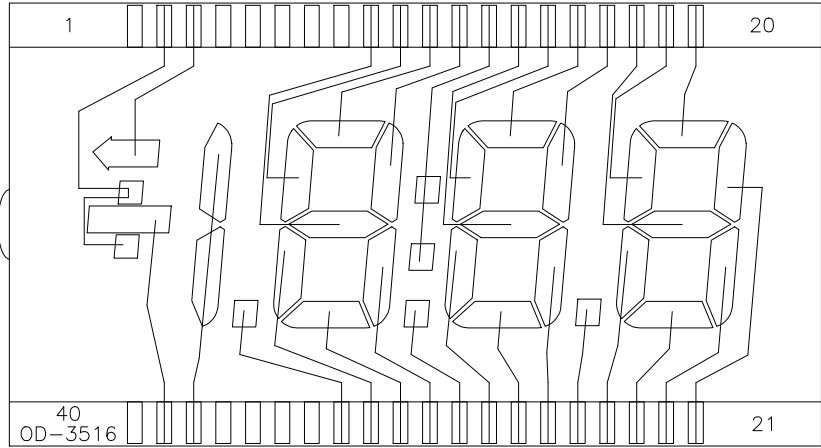
(2:1)



**ORIENT DISPLAY**

TITLE	LCD	PART NO.	OD-3516
REV.	1	CUSTOMER NO.	OD-3516
SCALE	FIT	UNIT	mm
ROHS/REACH COMPLIANT	YES	3rd ANGLE	⊕
UNMARKED TOLERANCE	±0.2	CUSTOMER'S APPROVAL	

SHEET 2 of 3



SEG

COM



<b>TITLE</b>	<b>LCD</b>	<b>PART NO.</b>	<b>OD-3516</b>		
<b>REV.</b>	<b>1</b>	<b>CUSTOMER NO.</b>	<b>OD-3516</b>		
<b>SCALE</b>	<b>FIT</b>	<b>UNIT</b>	mm	<b>3rd ANGLE</b>	<b>SHEET 3 of 3</b>
<b>ROHS/REACH COMPLIANT</b>	<b>YES</b>		<b>CUSTOMER'S APPROVAL</b>		
<b>UNMARKED TOLERANCE</b>	<b>±0.2</b>				