

© COPYRIGHT 1976 BY AMP INCORPORATED, HARRISBURG, PA. ALL INTERNATIONAL RIGHTS RESERVED. AMP INCORPORATED PRODUCTS COVERED BY U. S. PATENTS AND/OR PATENTS PENDING.

UNLESS OTHERWISE SPECIFIED, DIMENSIONS ARE IN INCHES. TOLERANCES ON: DECIMALS ±.005 ANGLES ±2°

PART NUMBER	KEYING POSITION
207306-1	01
207306-2	02
207306-3	03
207306-4	04
207306-5	05
207306-6	06
207306-7	07
207306-8	08
207306-9	09

REVISIONS					
P	F	ZONE/LTR	DESCRIPTION	DATE	APPROVED
	✓		RELEASED WAS 5048-677	4/2/76	[Signature]

D

S

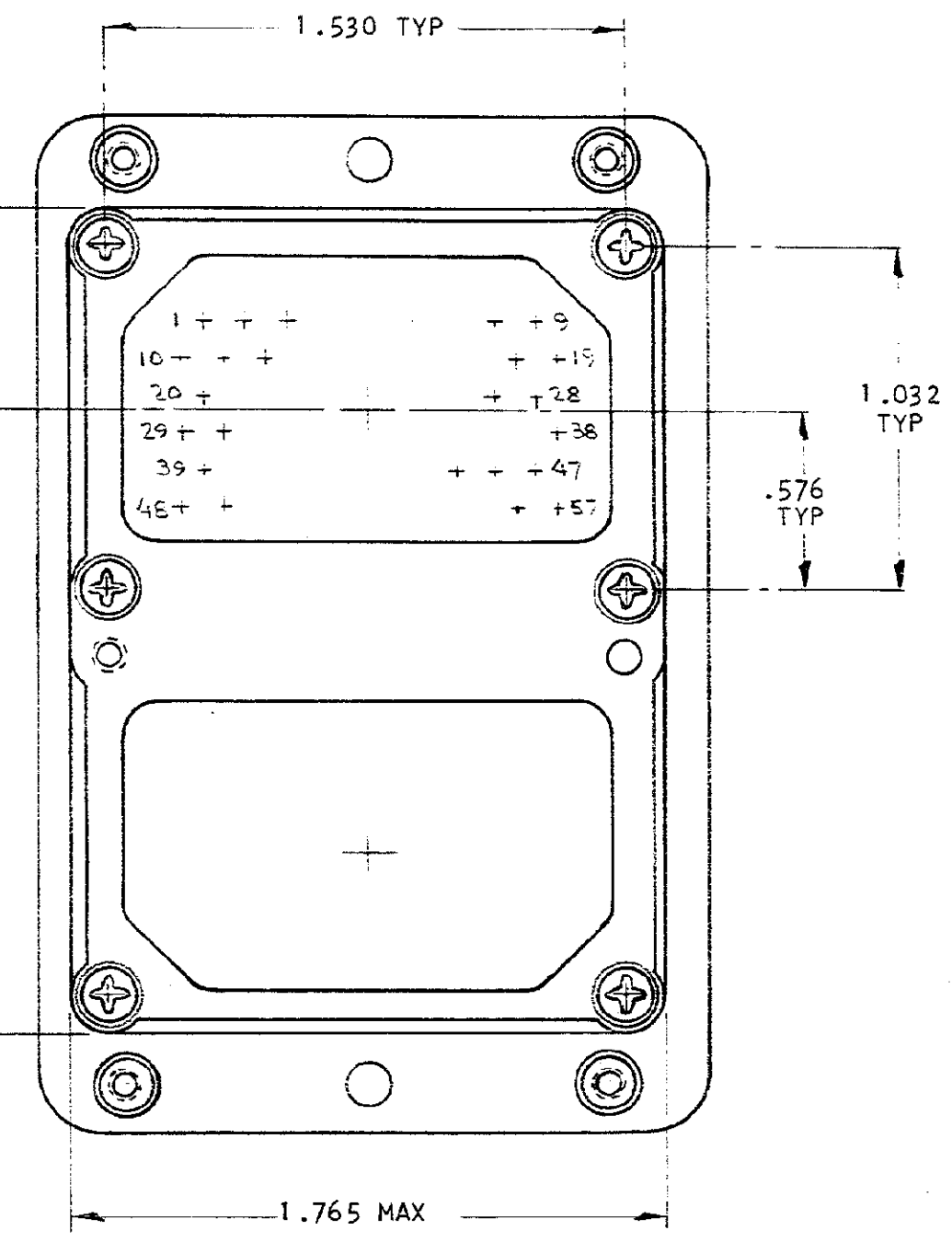
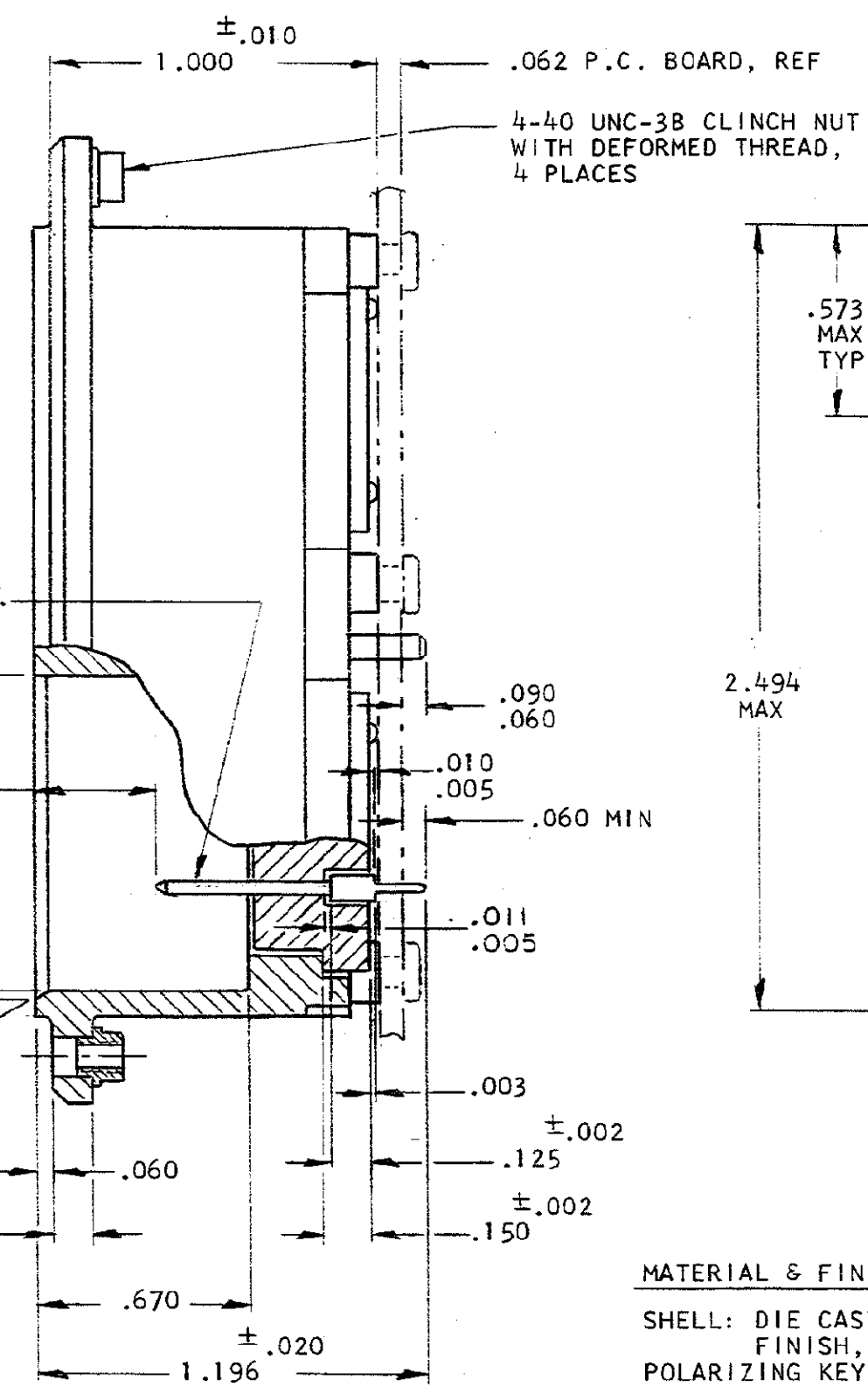
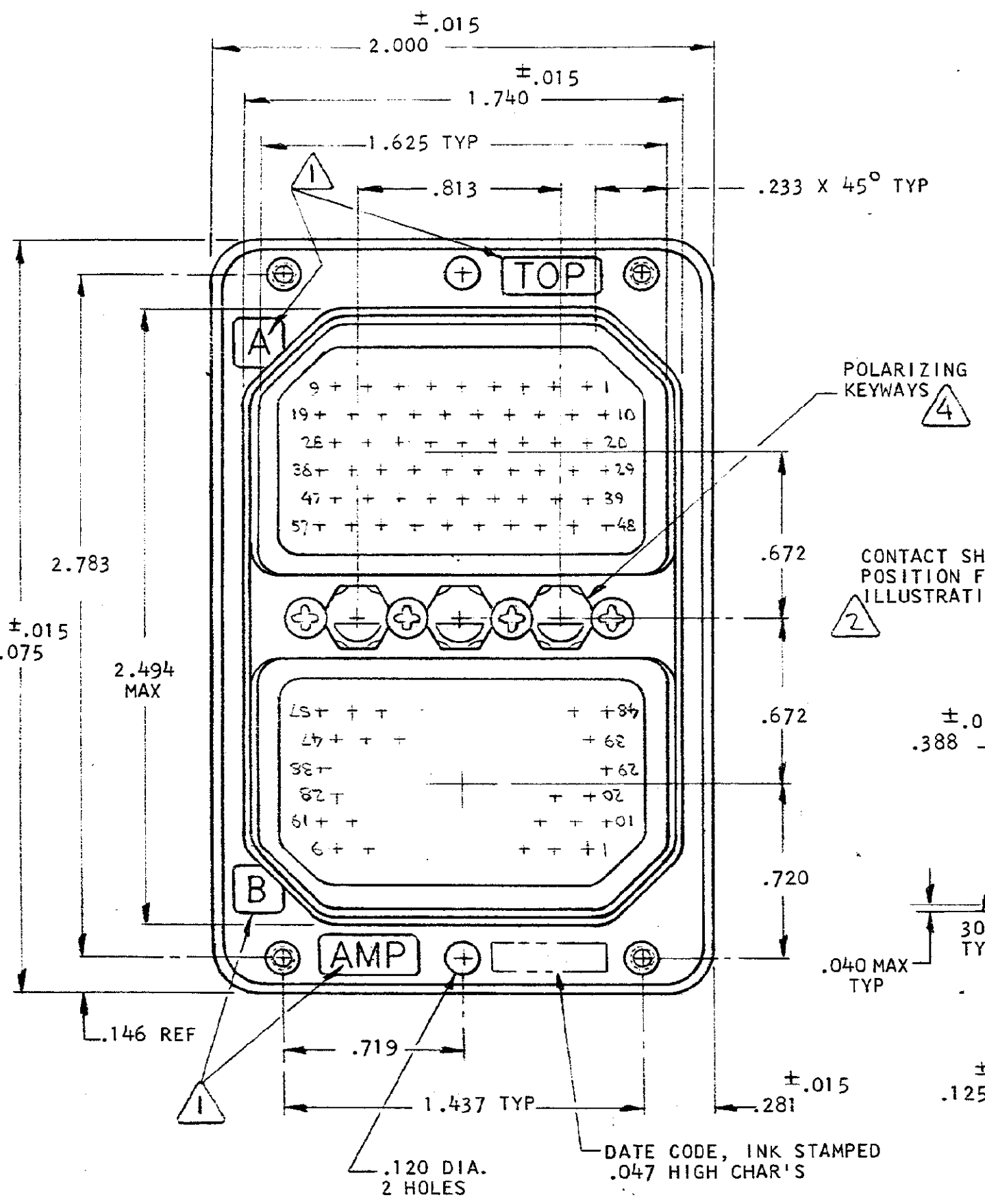
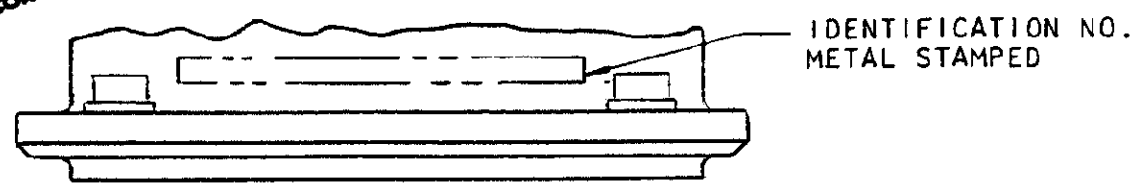
C

B

D

C

B



MATERIAL & FINISH

SHELL: DIE CAST ALUM. ALLOY PER QQ-A-591, COMP. 10, FINISH, CAD PLATED YELLOW CHROMATE PER QQ-P-416, TYPE 1, CLASS 2. POLARIZING KEYING INSERTS & SCREWS: STAINLESS STEEL. WASHERS: PHENOLIC. INSULATORS, HARD: EPOXY.

CUST B 207306

- 1 CHAR'S ARE .125 HIGH, FLUSH TO DEPRESSED.
- 2 FOR SHIPMENT, CONTACTS ARE INSTALLED IN INSULATOR & PROTECTOR COVER PLACED OVER CONTACTS & IS INCLUDED IN A CONTAINER WITHIN THE CONNECTOR PACKAGE.
- 3. PARTS PACKAGED UNASSEMBLED.
- 4 FOR KEYING POSITIONS SEE DWG 204014.

UNLESS OTHERWISE SPECIFIED DIMENSIONS ARE IN INCHES. TOLERANCES ON: DECIMALS ±.005 ANGLES ±2°		CONTRACT NO		AMP INCORPORATED Harrisburg, Pa.	
MATERIAL SEE CALLOUT		DR [Signature] 4/2/76		NAME	
FINISH SEE CALLOUT		CHK [Signature] 4-6-76		RECEPTACLE CONNECTOR ASSY RACK & PANEL AM2R57P57P	
		APPD [Signature] 4-8-76		DRAWING NO	
		APPD [Signature] 4-8-76		C 00779 207306	
		DSGN APPD		SIZE CODE IDENT NO	
		OTHER APPD		C 00779 207306	
				SCALE # "AM" SHEET 1 OF 1	

A