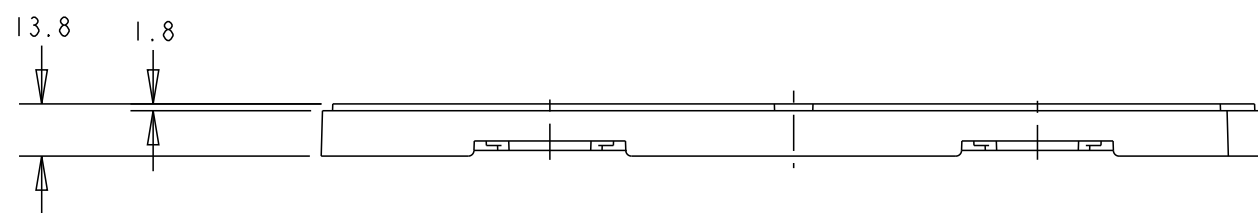
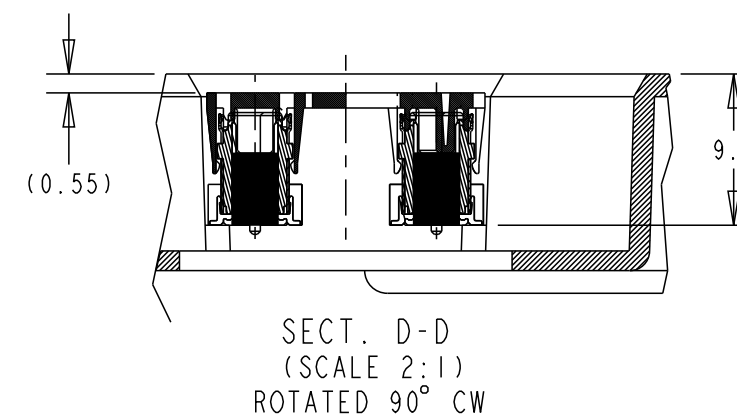
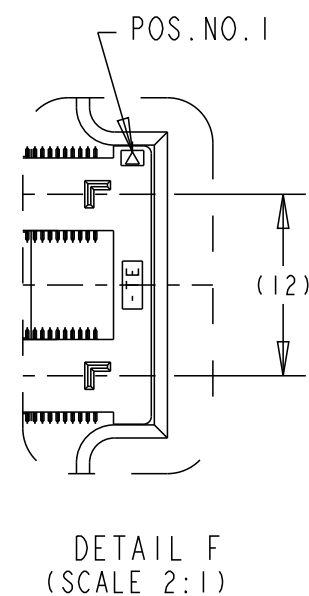
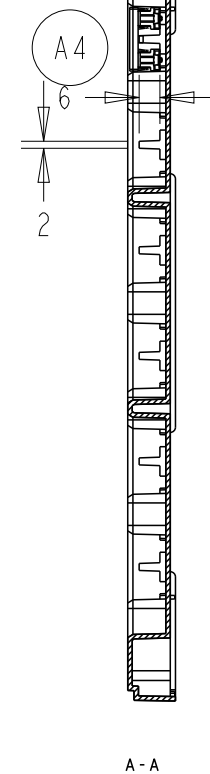
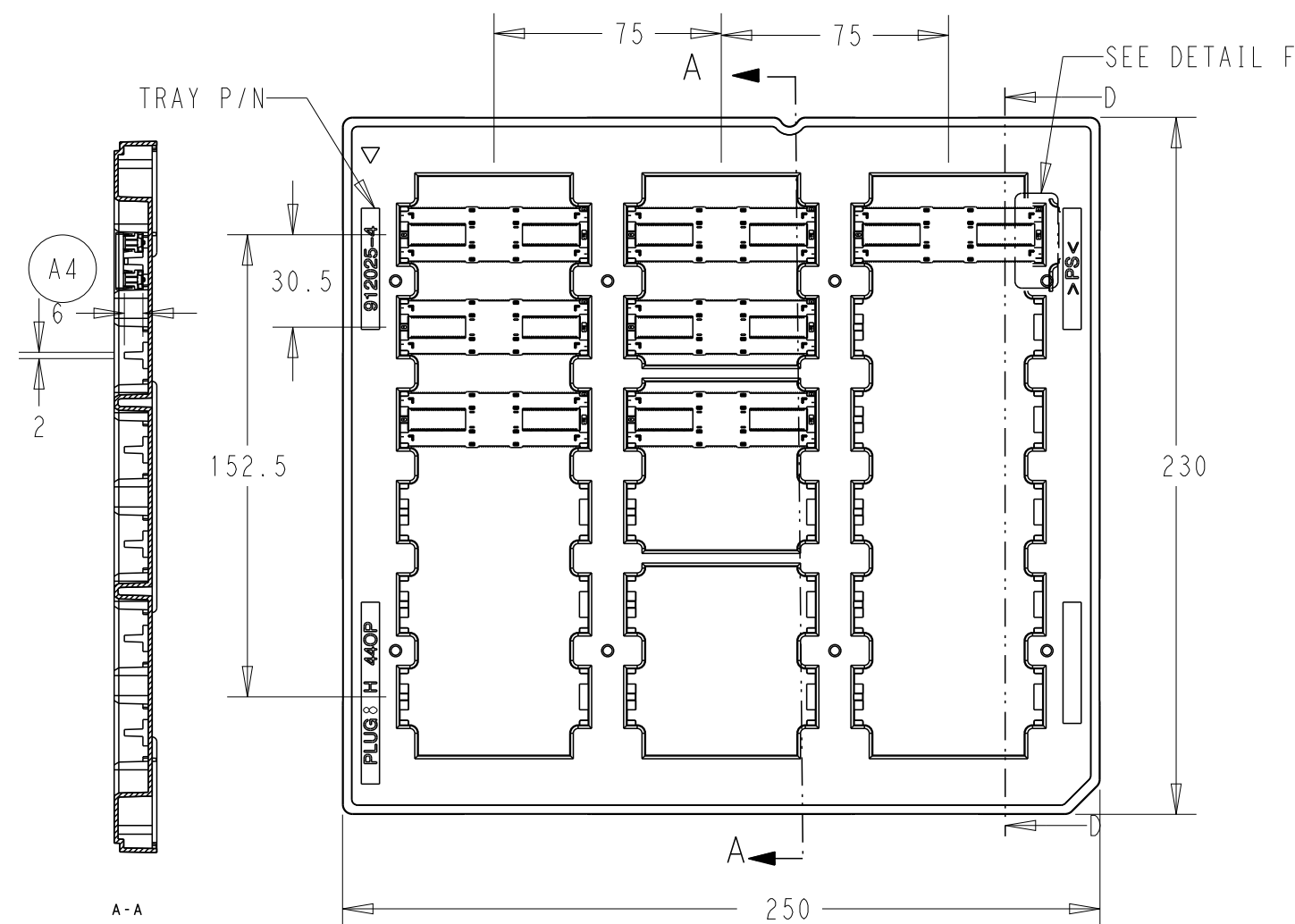


P	LTR	DESCRIPTION	DATE	DWN	APVD
A2		REVISE AS PER ECN-21-104567	25MAY2021	A.L	H.L
A3		REVISE AS PER PCN-22-135638	24AUG2021	M.C	H.L
A4		PER PCN-22-157376	14NOV2022	M.C	H.L
B1		ADD NEW PN	31JAN2023	M.C	H.L

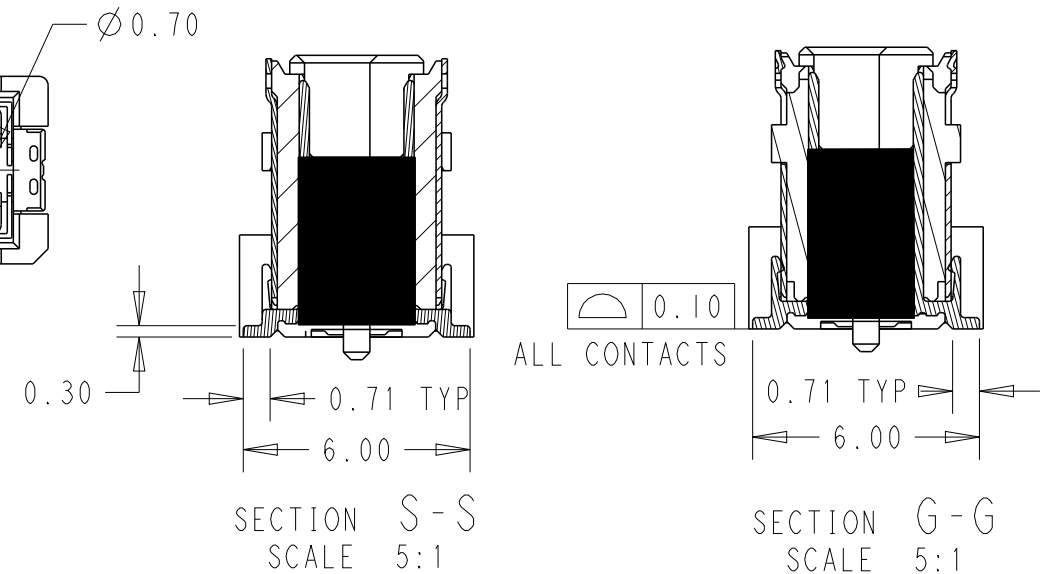
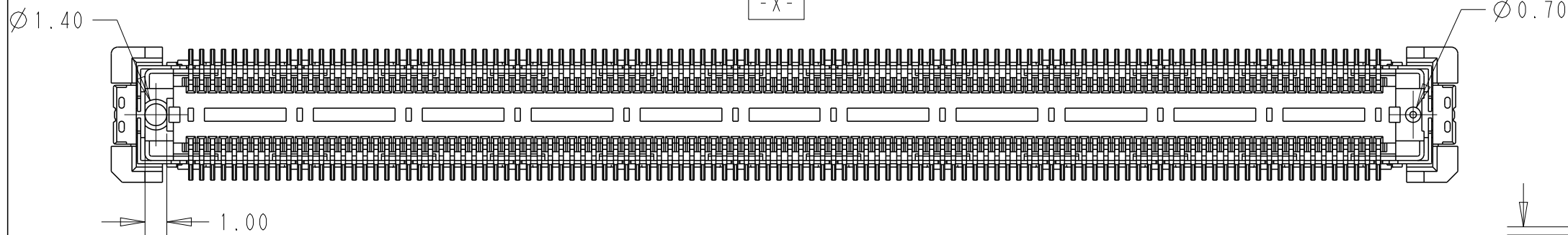
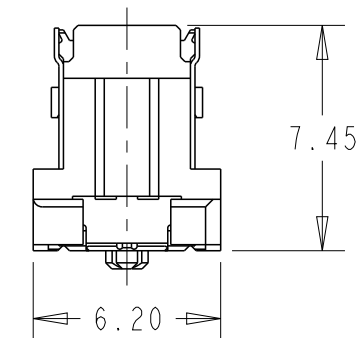
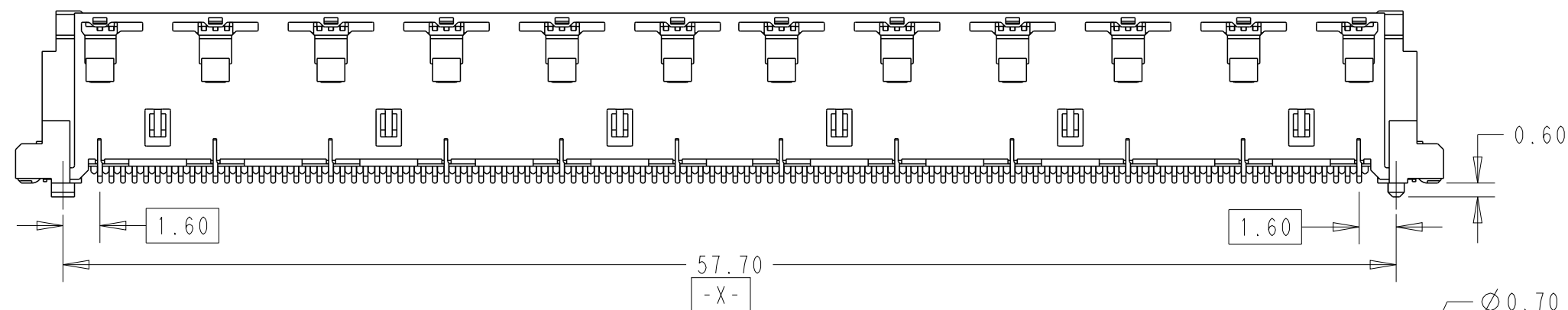
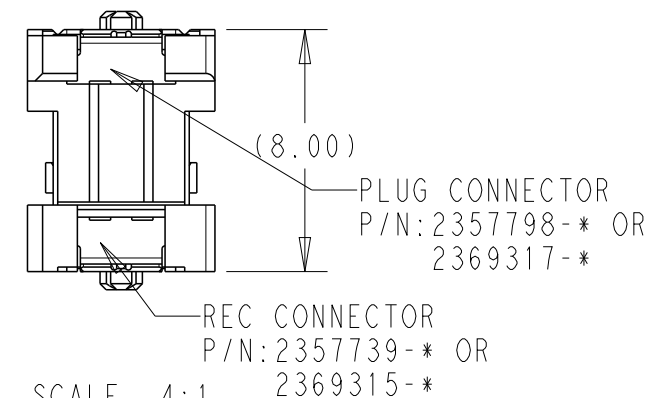
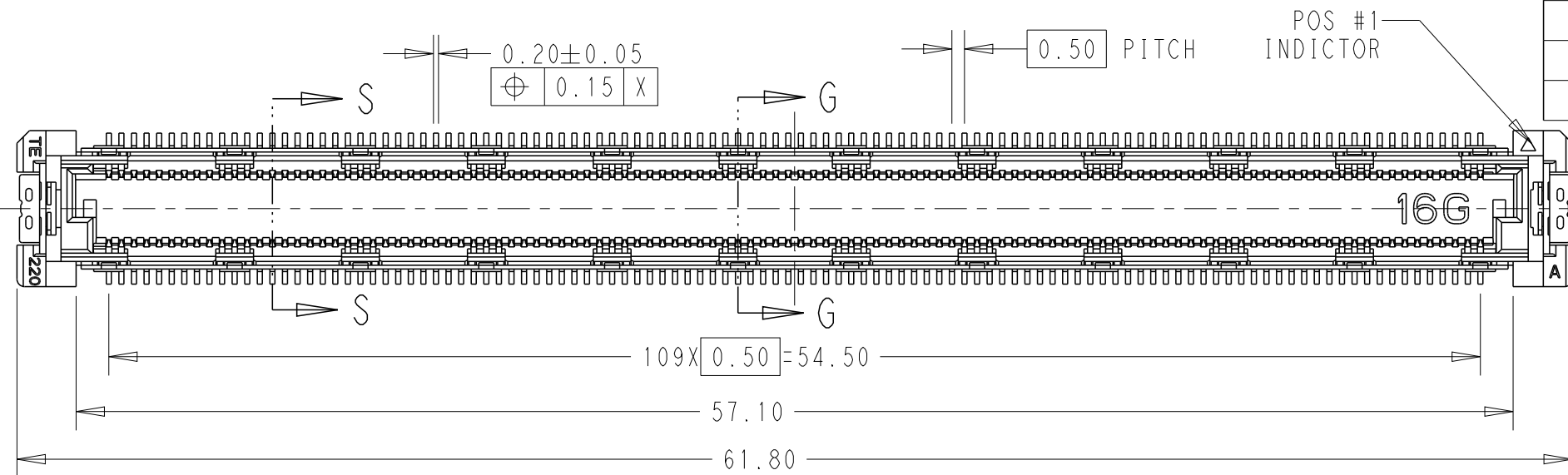


30u"	2369317-2
8u"	2369317-1
MATING ZONE PRECIOUS PLATING THICKNESS	P/N

THIS DRAWING IS A CONTROLLED DOCUMENT.		DWN Art Lin 24FEB2020	TE Connectivity	
DIMENSIONS: mm		CHK Hope Lu 25FEB2020		
TOLERANCES UNLESS OTHERWISE SPECIFIED:		APVD Hope Lu 25FEB2020	NAME 8H PLUG ASSY 440POS	
0 PLC ±0.5		PRODUCT SPEC 108-32658	FH 0.5 BTB 16Gbps	
1 PLC ±0.3		APPLICATION SPEC 114-115003	SIZE A3	CAGE CODE 00779
2 PLC ±0.15		WEIGHT -	DRAWING NO C-2369317	RESTRICTED TO -
3 PLC ±0.050			SCALE 1:1	SHEET 1 OF 4
4 PLC ±0.0250				REV B1
ANGLES ±3				
MATERIAL -	FINISH -	CUSTOMER DRAWING		
SEE NOTE 1	SEE NOTE 2			

REVISIONS

P	LTR	DESCRIPTION	DATE	DWN	APVD
-	-	SEE SHEET 1	-	-	-



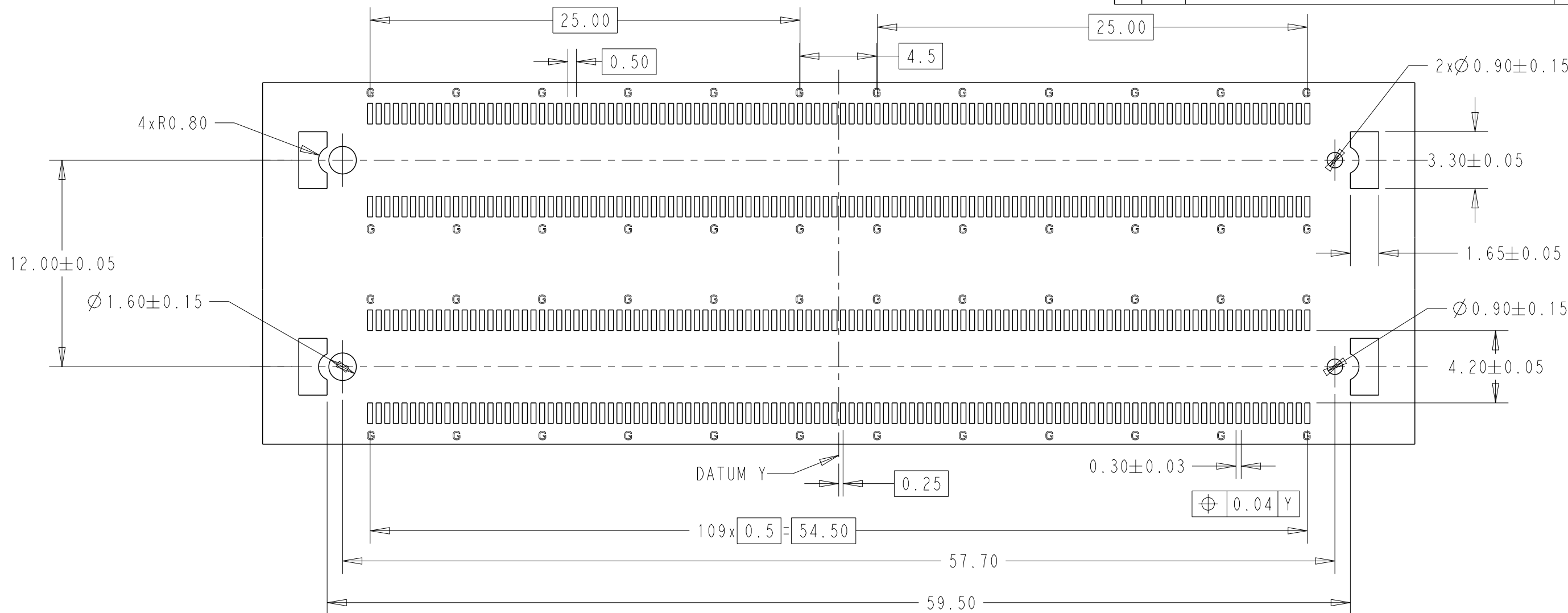
NOTES:

- MATERIAL
HOUSING : HIGH TEMP THERMO PLASTIC UL94V-0
CONTACT : COPPER ALLOY
SOLDER PEG : COPPER ALLOY
GROUND PLATE : COPPER ALLOY
- FINISH
UNDERPLATED : 1.27µm MIN. NICKEL ALL OVER
CONTACT MATING AREA : MEETS THE PERFORMANCE REQUIREMENTS OF TE CONNECTIVITY PRODUCT SPECIFICATION 108-32658.
SOLDER AREA : GOLD FLASH
- CAP COLOR IS BLACK.


THIS DRAWING IS A CONTROLLED DOCUMENT.		DWN Art Lin 24FEB2020	TE TE Connectivity		
		CHK Hope Lu 25FEB2020			
DIMENSIONS: mm		APVD Hope Lu 25FEB2020	NAME 8H PLUG ASSY 440POS		
		PRODUCT SPEC 108-32658	FH 0.5 BTB 16Gbps		
		APPLICATION SPEC 114-115003	SIZE A3	CAGE CODE 00779	DRAWING NO C-2369317
MATERIAL SEE NOTE 1	FINISH SEE NOTE 2	WEIGHT -	RESTRICTED TO -		
CUSTOMER DRAWING		SCALE 1:1	SHEET 3 OF 4	REV B1	

REVISIONS

P	LTR	DESCRIPTION	DATE	DWN	APVD
	-	SEE SHEET 1	-	-	-



SCALE 4:1
REFERENCE P.C. BOARD LAYOUT
G:Ground

THIS DRAWING IS A CONTROLLED DOCUMENT.		DWN Art Lin	24FEB2020	 TE Connectivity	
DIMENSIONS: mm		CHK Hope Lu	25FEB2020		
TOLERANCES UNLESS OTHERWISE SPECIFIED:		APVD Hope Lu	25FEB2020	NAME 8H PLUG ASSY 440POS	
0 PLC ±0.5 1 PLC ±0.3 2 PLC ±0.15 3 PLC ±0.050 4 PLC ±0.0250 ANGLES ±3		PRODUCT SPEC 108-32658		FH 0.5 BTB 16Gbps	
MATERIAL SEE NOTE 1		APPLICATION SPEC 114-115003		SIZE A3	RESTRICTED TO -
FINISH SEE NOTE 2		WEIGHT -		CAGE CODE 00779	DRAWING NO C-2369317
		CUSTOMER DRAWING		SCALE 1:1	SHEET 4 OF 4
				REV B1	