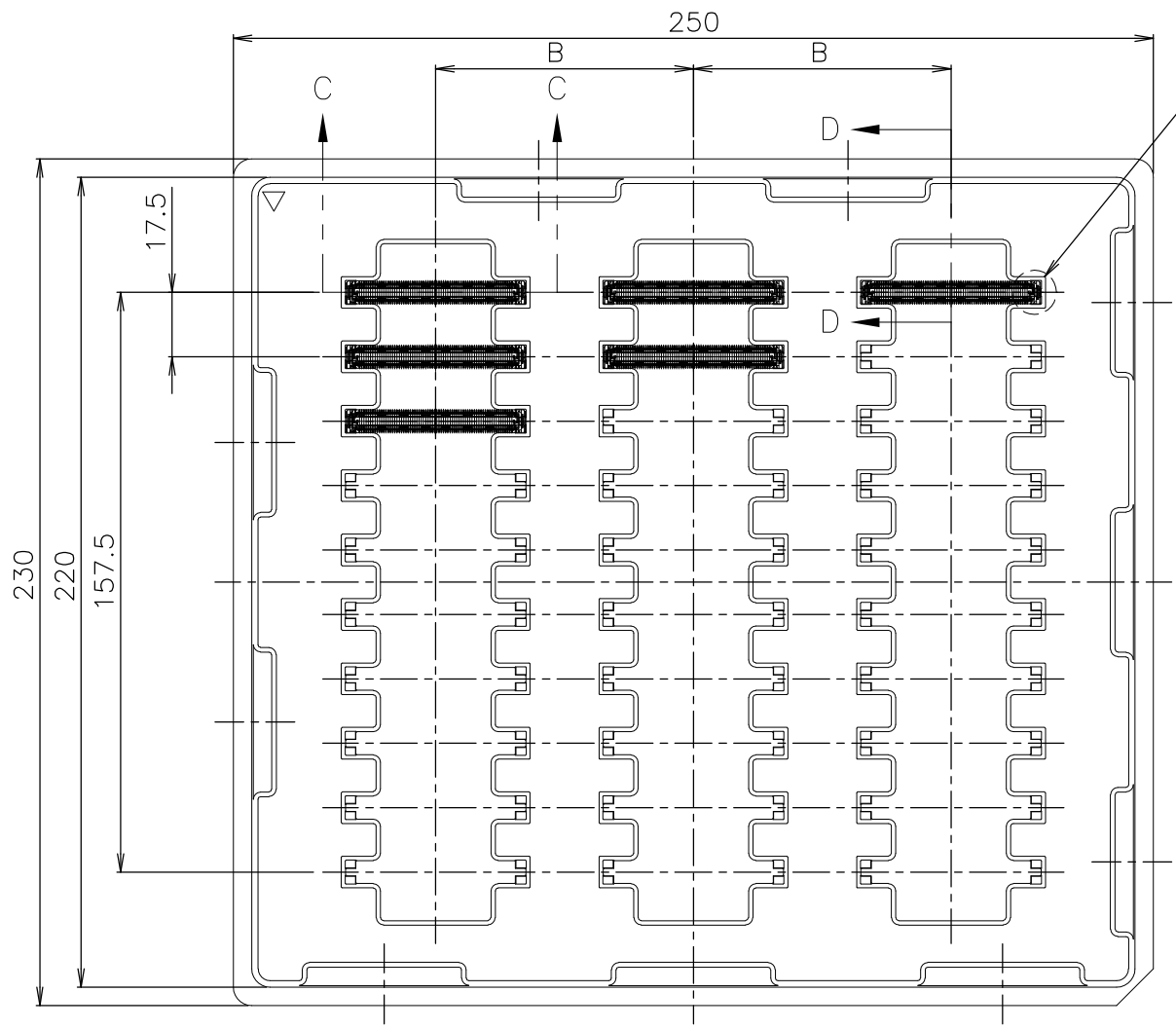
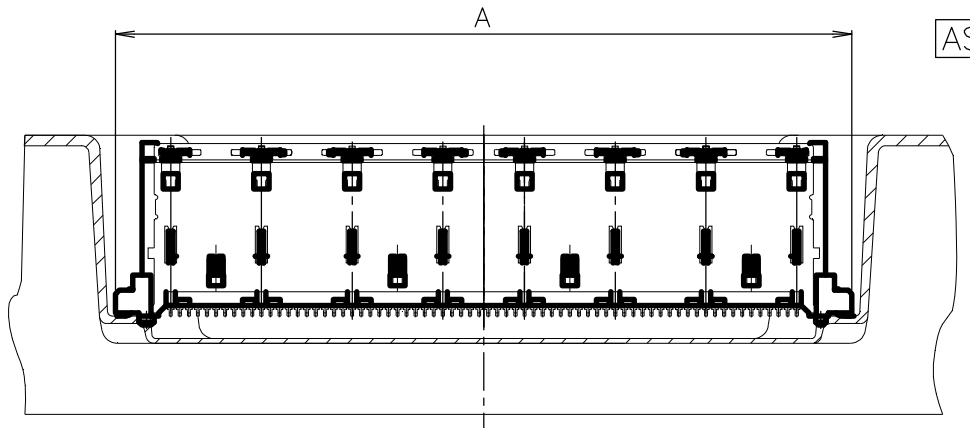


THIS DRAWING IS UNPUBLISHED. RELEASED FOR PUBLICATION - ,2000.  
 © COPYRIGHT 2000 BY TYCO ELECTRONICS CORPORATION. ALL RIGHTS RESERVED.

LOC	DIST	REVISIONS			DATE	DWN	APVD
J		P	LTR	DESCRIPTION			
		A	REVISED	ECR-08-000339	01FEB08	T.T	T.F

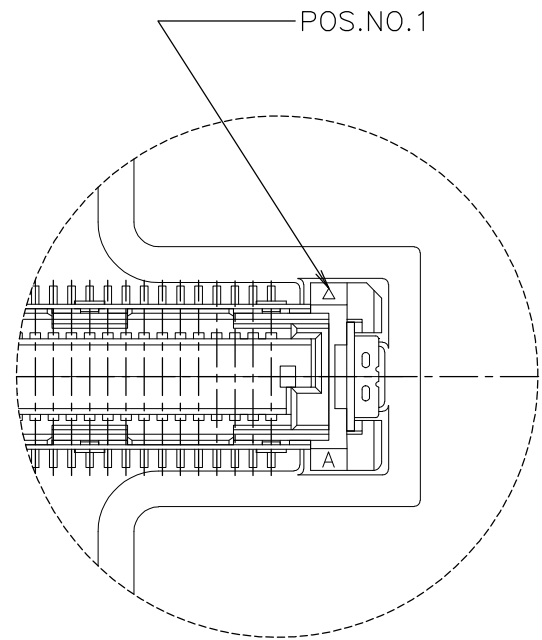
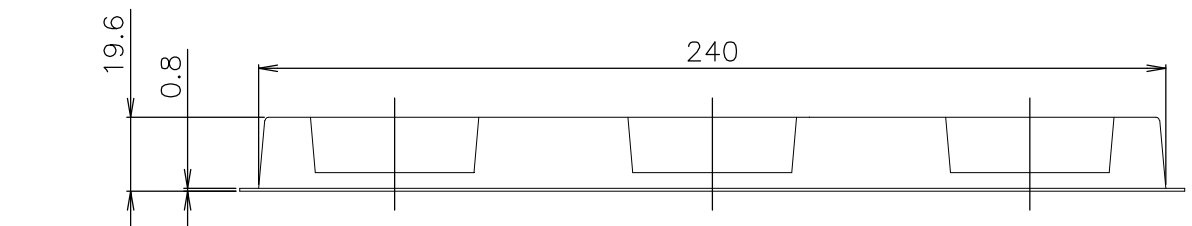


SEE DETAIL E

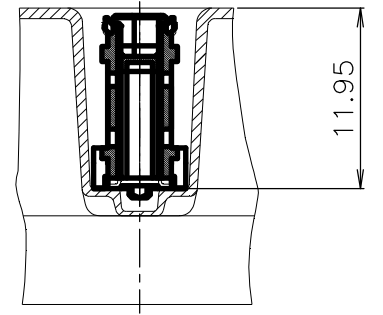


AS SHOWN:TYPE-1

C-C  
(SCALE 2:1)

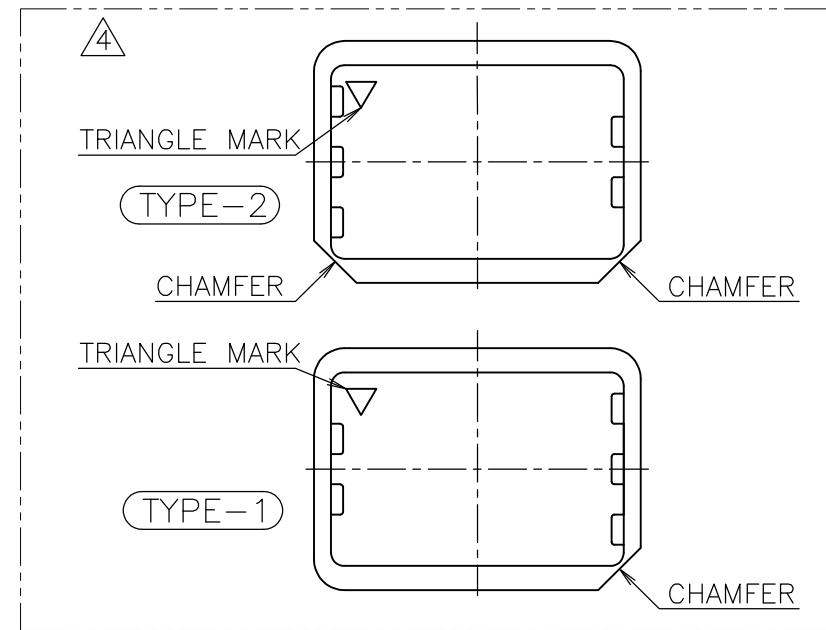


DETAIL E  
(SCALE 4:1)



D-D  
(SCALE 2:1)

⚠ TRAY TYPE-1 AND TYPE-2 MUST BE  
 PILED UP BY TURNS.  
 (REFER TO PACKING SPECIFICATIONS)

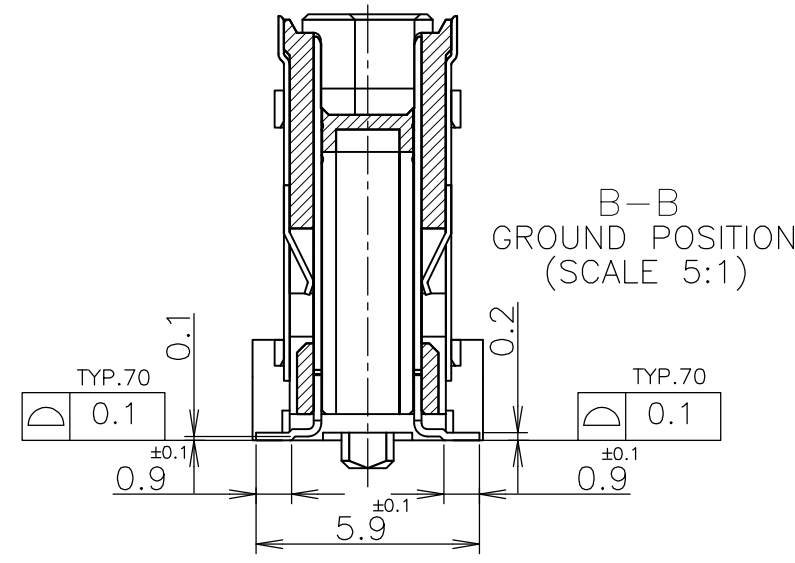
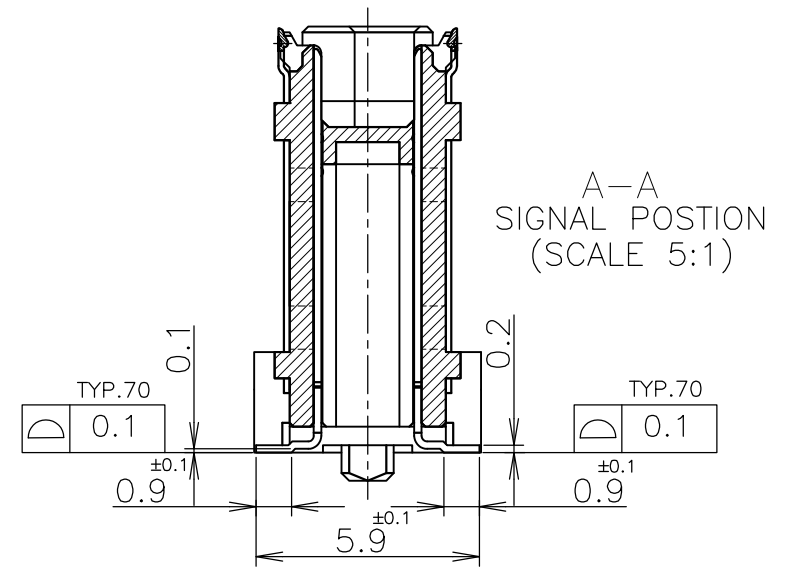
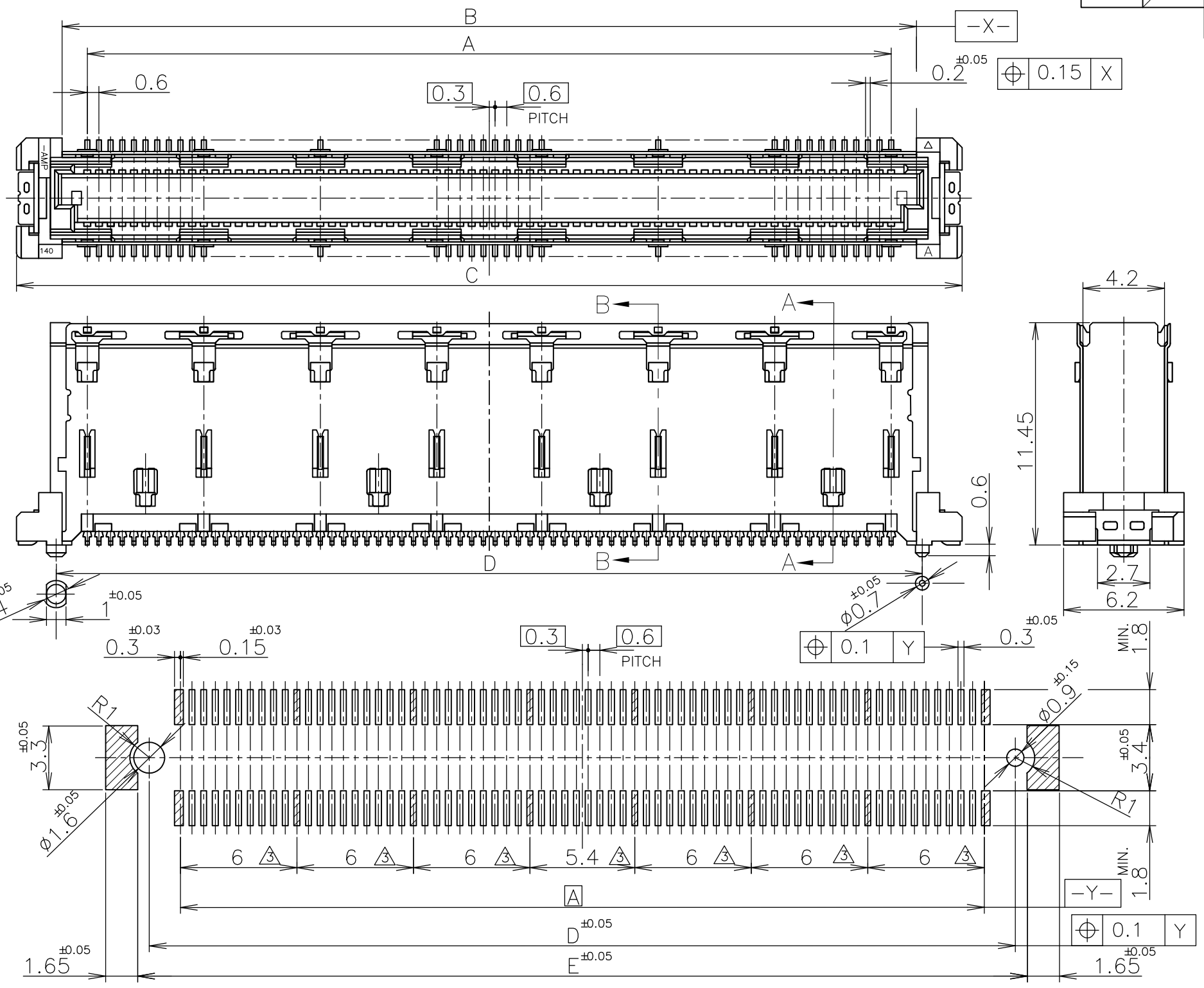


NON SEALANT	AVAILABLE	3	30	70	48.7	140	1-912071-9	6473225-1
SEALANT	TOOLING STATUS	LOW	QTY	B	A	POS.	TRAY P/N	PART NO.

THIS DRAWING IS A CONTROLLED DOCUMENT.		DWN	WENKE HE	12JUN05	Tyco Electronics Corporation Kawasaki, Japan			
DIMENSIONS: XM? ? mm		CHK	GAVIN ZHANG	12JUN05				
TOLERANCES UNLESS OTHERWISE SPECIFIED: μm		APVD	STEVEN YAO	12JUN05	NAME ?δ			
0 PLC ± -		PRODUCT SPEC		108-60047		SOFT TRAY ASSY		
1 PLC ± -		APPLICATION SPEC		114-5255		FH 0.6BTB CONNECTOR		
2 PLC ± -		WEIGHT		A300779		PLUG 12H W/G-PLATE		
3 PLC ± -		SIZE		A300779		RESTRICTED TO		
4 PLC ± -		CAGE CODE		G-6473225		SCALE		
ANGLES ± -		DRAWING NO		G-6473225		1:2		
FINISH □		CUSTOMER DRAWING		SCALE		SHEET		
GENERAL TOLERANCE 一般公差		SCALE		1:2		1 OF 2		
10 ≥ ±0.2		SHEET		1 OF 2		REV		
30 ≥ >10:±0.25		REV		A				
100 ≥ >30:±0.3								
ANGLES:±3°								

THIS DRAWING IS UNPUBLISHED. RELEASED FOR PUBLICATION - ,2000.  
 © COPYRIGHT 2000 BY TYCO ELECTRONICS CORPORATION. ALL RIGHTS RESERVED.

LOC	DIST	REVISIONS			DATE	DWN	APVD
J		P	LTR	DESCRIPTION			
				SEE SHEET 1	-	-	-



REFERENCE P.C.BOARD LAYOUT

45.8	44.6	48.7	44	41.4	140	6473225-1
E	D	C	B	A	POS	PART NO.

- ① MATERIAL ; HOUSING : HIGH TEMP THERMO PLASTIC UL94V-0  
CONTACT : COPPER ALLOY
- ② FINISH ; UNDER PL Ni 0.0013mm MIN ALL OVER.  
CONTACT AREA 0.0002 MIN Au PL.  
SOLDERING AREA 0.001 MIN TIN PL.
- ③ THIS POSITION IS GROUND CIRCUIT.

GENERAL TOLERANCE 一般公差	
10 ≥	±0.2
30 ≥	>10:±0.25
100 ≥	>30:±0.3
ANGLES: ±3°	

THIS DRAWING IS A CONTROLLED DOCUMENT.		DWN		Tyco Electronics Corporation Kawasaki, Japan	
DIMENSIONS: XM? ? mm		TOLERANCES UNLESS OTHERWISE SPECIFIED: μm		NAME ?δ	
0 PLC ± -		1 PLC ± -		PRODUCT SPEC 予Δ線<	
2 PLC ± -		3 PLC ± -		APPLICATION SPEC 台Δ進<線<	
4 PLC ± -		ANGLES ± -		SIZE A3	
FINISH □		WEIGHT		CAGE CODE 00779	
MATERIAL P?		CUSTOMER DRAWING		DRAWING NO G-6473225	
RESTRICTED TO		SCALE 4:1		SHEET 2 OF 2	
				REV A	