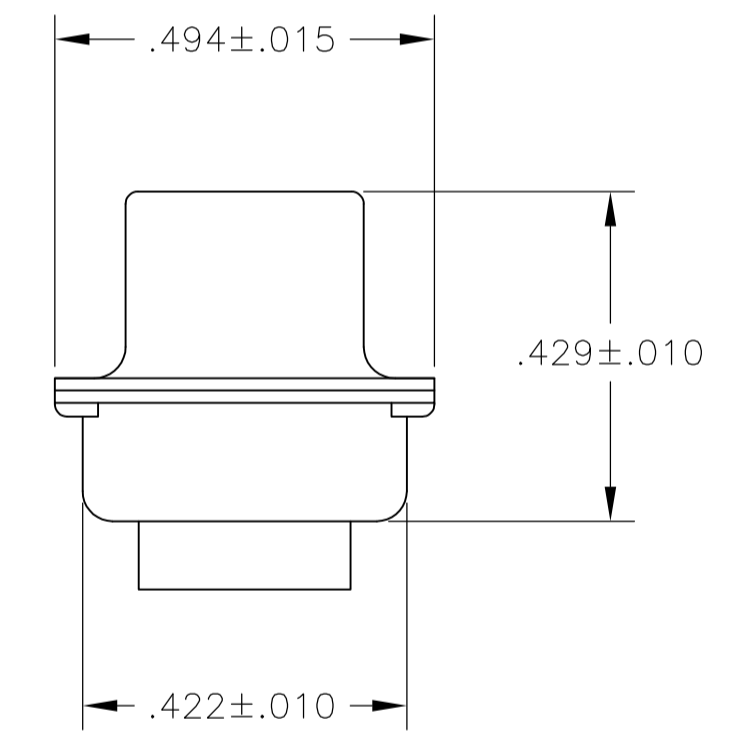
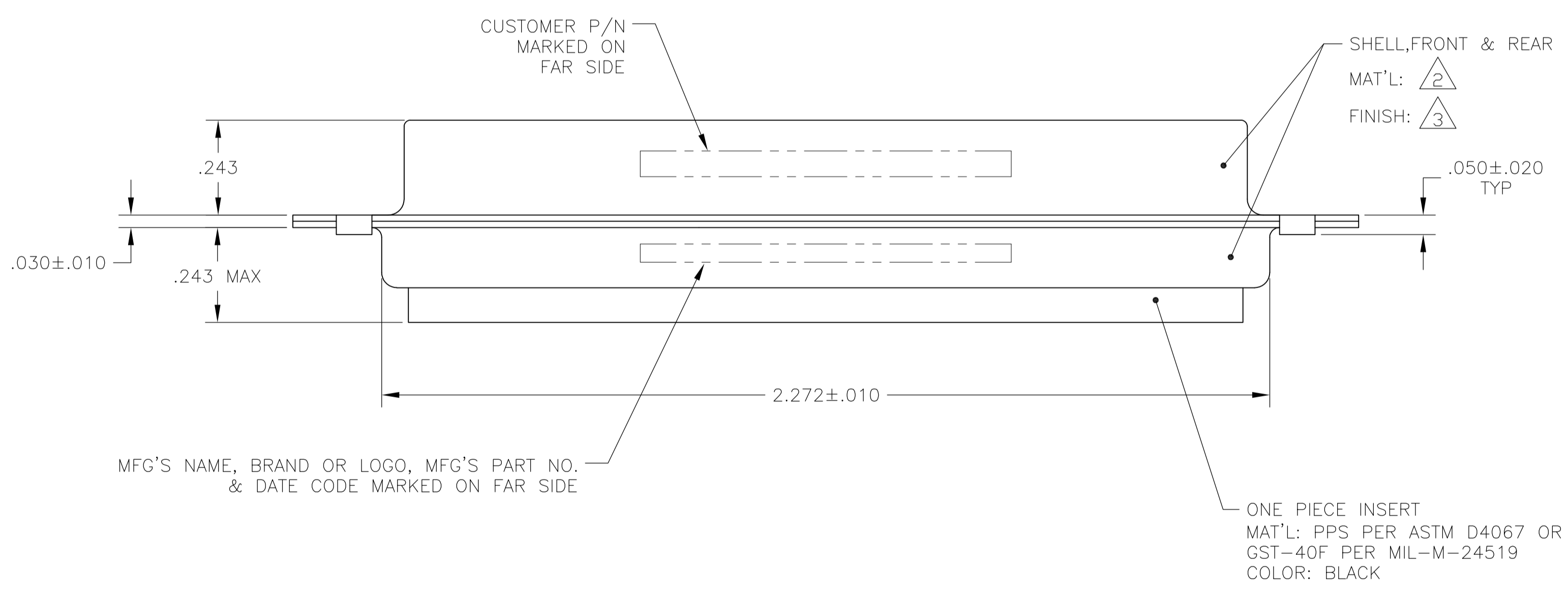
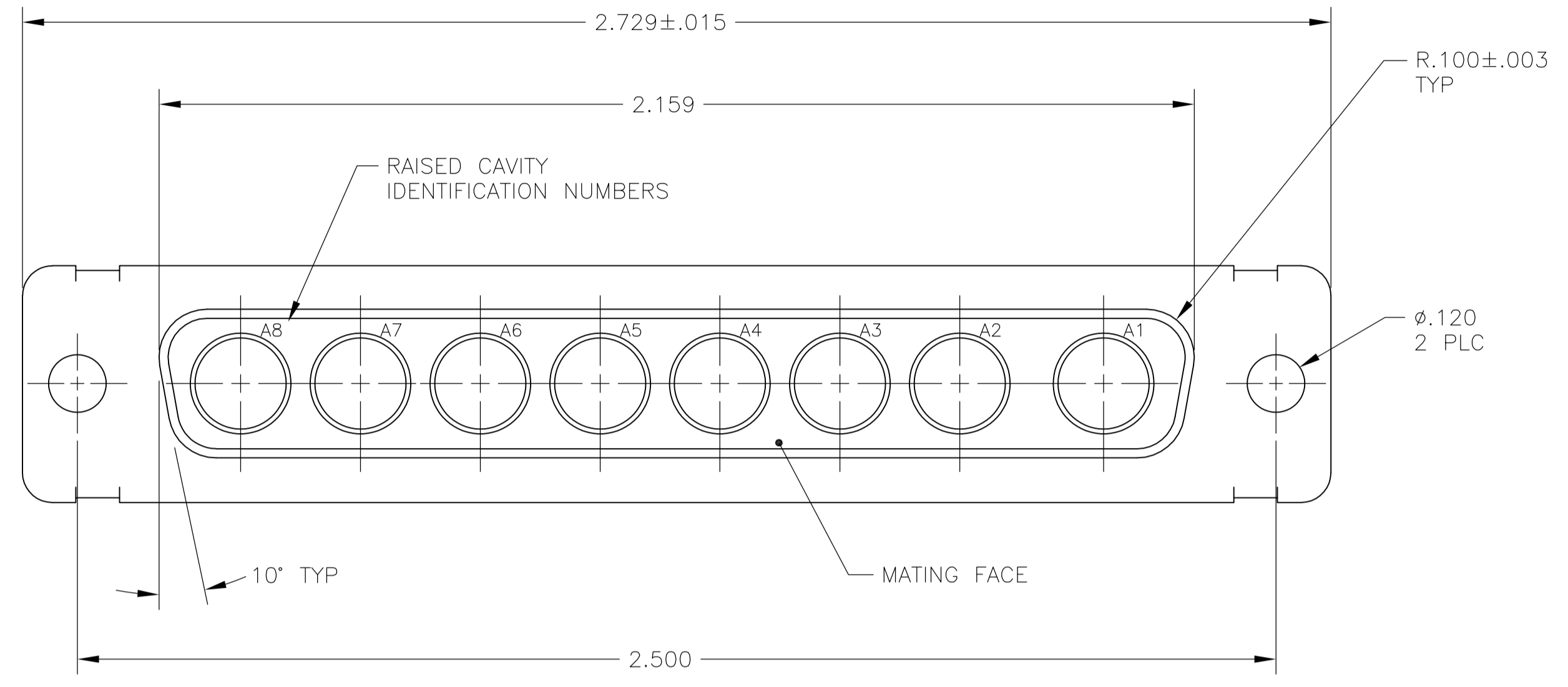


| LOC | | DIST | | REVISIONS | | | | |
|-----|----|-------------|-----------|-----------|-------------|-----------|-----|------|
| DF | DO | REV | PER | ECO | DESCRIPTION | DATE | DWN | APVD |
| C | | REV PER ECO | 08-030008 | | | 21JAN2009 | PK | RL |

- THIS CONNECTOR ACCEPTS (8) POWER 8, OR COAX SOCKET CONTACTS IN POSITIONS A1 THRU A8, PURCHASED SEPARATELY.
- BRASS PER MIL-C-50 AND ASTM-B-36 UNS NO. C26000.
- GOLD PLATED PER ASTM-B-488 TYPE 3, CODE C, CLASS 1.25 OVER COPPER PER MIL-C-14550, CLASS IV.



| | |
|-------------------|-----------|
| B010950-0018 | 1883538-1 |
| CUSTOMER PART NO. | PART NO. |

| | | | | | |
|--|-----------|-------------------------|--|-----------------------------------|--|
| THIS DRAWING IS A CONTROLLED DOCUMENT. | | DWN C.C.THOMAS 11-16-06 | | Tyco Electronics Corporation | |
| DIMENSIONS: INCHES | | CHK D.MILLER 11-17-06 | | Harrisburg, Pa 17105-3608 | |
| TOLERANCES UNLESS OTHERWISE SPECIFIED: | | APVD D.MILLER 11-17-06 | | NAME | |
| 0 PLC | ± - | PRODUCT SPEC | | RECEPTACLE ASSEMBLY | |
| 1 PLC | ± - | APPLICATION SPEC | | AMPLIMITE 8C8 | |
| 2 PLC | ± - | WEIGHT | | SIZE 4, SERIES 109, COAX, HI-TEMP | |
| 3 PLC | ± .005 | SCALE | | A1 00779 C=1883538 | |
| 4 PLC | ± # 0.30' | SHEET | | 1 OF 1 | |
| ANGLES | ± # 0.30' | REV | | C | |
| MATERIAL | FINISH | CUSTOMER DRAWING | | SCALE 4:1 | |