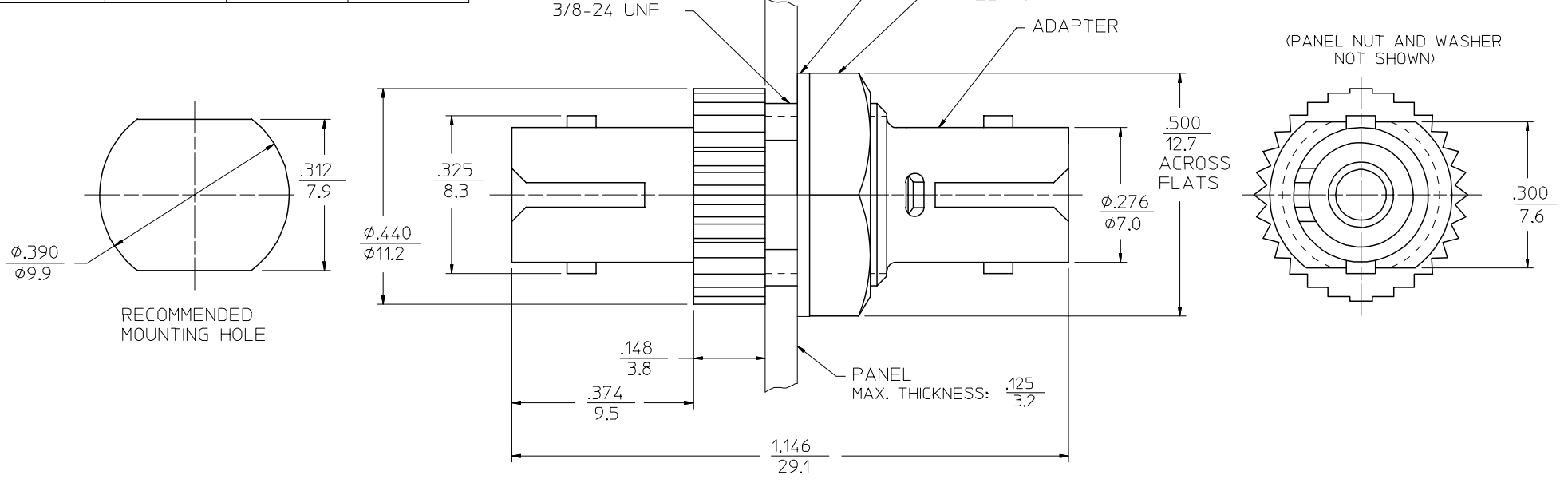


ADAPTER P/N	ALIGNMENT SLEEVE MATERIAL	RETAINING RING COLOR	DUST CAP COLOR
86110-1000	CERAMIC	NATURAL	BLACK
86112-1000	PHOSPHOR BRONZE	YELLOW	RED
86112-1100*			
86113-1000	PLASTIC	BLACK	RED
86113-1020*			
86113-1100			BLACK



NOTES:

- 1. DUST CAPS ARE NOT SHOWN BUT INCLUDED.
- *2. P/N 86113-1020 AND P/N 86112-1100 ARE BULK PACKED IN QUANTITY OF 100 PIECES.

ENTER DESCRIPTION EC NO: MF2005-0347 TDRWN:LKATARZI 2004/12/07 CHKD: 2004/12/07 APPR: GUMIN 2004/12/07	QUALITY SYMBOLS	GENERAL TOLERANCES (UNLESS SPECIFIED)	SCALE 5:1	DESIGN UNITS INCH	THIRD ANGLE PROJECTION	REVISE ON CAD ONLY
	▽ = 0 ▽ = 0	4 PLACES ± --- ± --- 3 PLACES ± --- ± --- 2 PLACES ± --- ± --- 1 PLACE ± --- ± ---	DIMENSION STYLE IN/MM		TITLE	
		ANGULAR ±1/2°	DRAWN BY IGUMIN	DATE 4/9/93	ST TYPE ADAPTER (METAL BODY)	
	DRAFT WHERE APPLICABLE MUST REMAIN WITHIN DIMENSIONS	APPROVED BY IGROIS	DATE 4/9/93	MATERIAL NO. SEE TABLE	DOCUMENT NO. 8611X-1000CD	SHEET NO. 1 OF 1

THIS DRAWING CONTAINS INFORMATION THAT IS PROPRIETARY TO MOLEX INCORPORATED AND SHOULD NOT BE USED WITHOUT WRITTEN PERMISSION