

CFP2

- Terminal Pins: Straight
- Actuator Color: Gray

Ultra-Miniature Pushbutton Switches

Washable

RoHS Compliant



Features

1. Ultra-miniature pushbutton switch for high density mounting.
2. Washable.
3. Terminal pin pitch: 2.54 mm.
4. Independent detent mechanism ensures light operational feel.
5. Clip contact mechanism for long-term contact reliability.
6. Gold-plated contacts.

Specifications

Rating	Max.	0.4VA (28VDC max.)
	Min.	1μA 20mVDC
Initial contact resistance	100m Ω max. (1.5mA 200μVAC)	
Dielectric strength	250VAC 1 minute	
Insulation resistance	500MΩ min. (250VDC)	
Electrical life	10,000 operations at max.rating, 30,000 operations at min.rating,	
Mechanical life	30,000 cycles	
Operating force	1.47 ± 0.98N	
Operating temperature range	-40~+85°C	
Storage temperature range	-40~+85°C	

Part Numbering

CFP2 — **2** **R** **C4** — **A** **W**

Series Actuator Number of poles Switching function Terminal style Actuator shape Packaging spec

Code	Type
P	Pushbutton

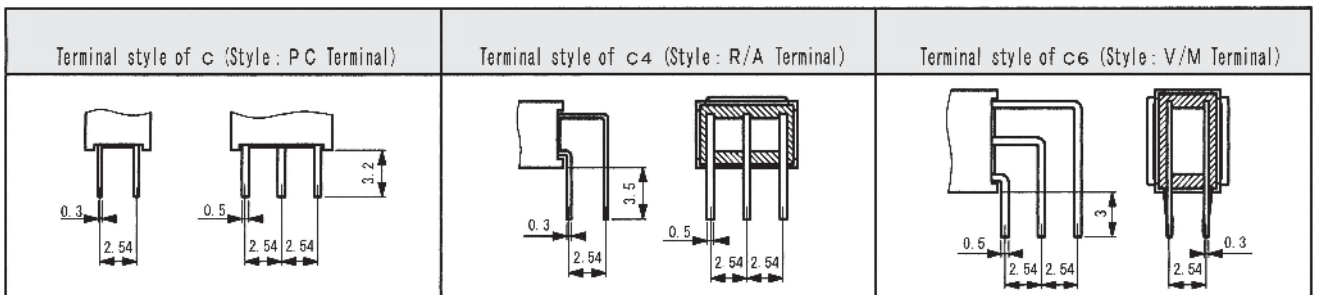
Fig.	Number of poles
1	1 pole
2	2 poles

1 pole	2 poles	Switching function
F	R	ON — (ON)

Fig.	Terminal style
C	P/C
C4	Right angle
C6	Vertical mounting

Code	Actuator shape
A	Standard

Code	Packaging spec
W	Tray



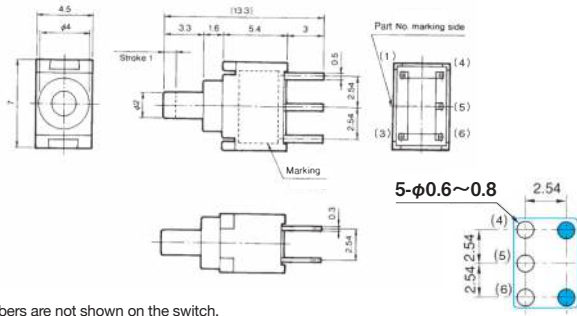
CFP2

SPDT

PC



Terminal numbers are not shown on the switch.



Switching function		
Part No.	CFP2-1FC-AW	(ON)
Connecting terminals	5-6	5-4

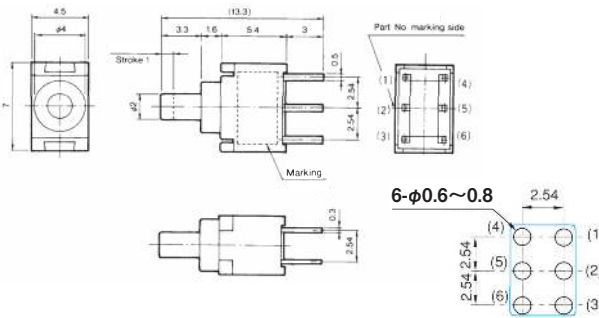
(Top view)
PC Hole Layouts

DPDT

PC



Terminal numbers are not shown on the switch.

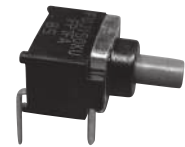


Switching function		
Part No.	☆ CFP2-2RC-AW	(ON)
Connecting terminals	2-3 5-6	2-1 5-4

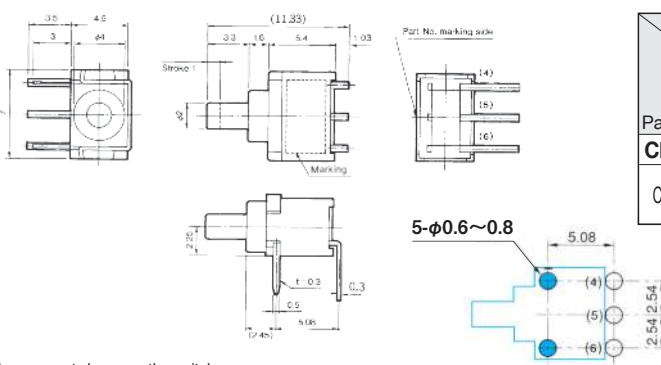
(Top view)
PC Hole Layouts

SPDT

R/A



Terminal numbers are not shown on the switch.



Switching function		
Part No.	CFP2-1FC4-AW	(ON)
Connecting terminals	5-6	5-4

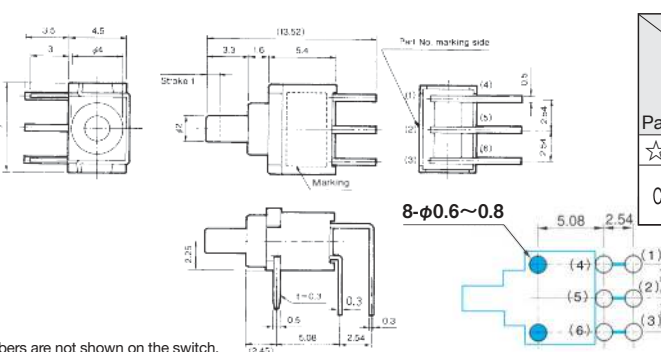
(Top view)
PC Hole Layouts

DPDT

R/A



Terminal numbers are not shown on the switch.



Switching function		
Part No.	☆ CFP2-2RC4-AW	(ON)
Connecting terminals	2-3 5-6	2-1 5-4

(Top view)
PC Hole Layouts

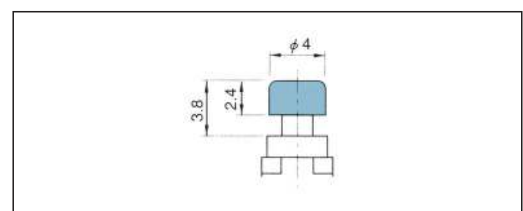
※ The above PC Hole Layouts are top view drawings.

Optional Accessories

〈Sold separately〉

Part Name	Dimension	Color	Part Number
Color Cap		White	140000481453
		Red	140000481452
		Black	140000481451
		Gray	140000481450

Color Cap Mounting



:Optional Accessories.

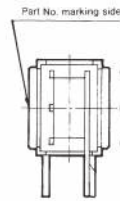
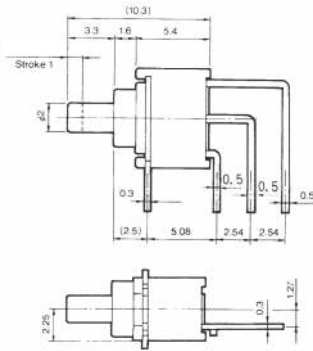
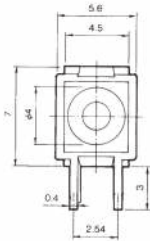
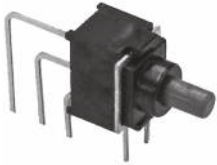
The blue line shows the outline of the switch.

(ON) : Momentary.

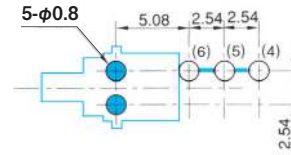
☆ : Semi-standard products.

SPDT

V/M



Switching function	Switching function	
Part No.	CFP2-1FC6-AW	
ON	ON	(ON)
Connecting terminals	5-6	5-4

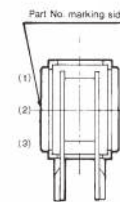
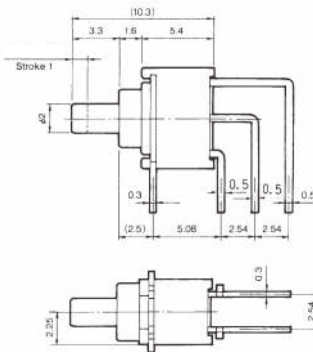
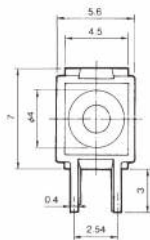


(Top view)
PC Hole Layouts

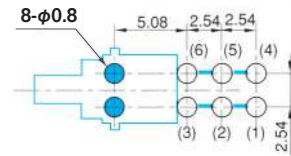
Terminal numbers are not shown on the switch.

DPDT

V/M



Switching function	Switching function	
Part No.	☆ CFP2-2RC6-AW	
ON	ON	(ON)
Connecting terminals	2-3 5-6	2-1 5-4



(Top view)
PC Hole Layouts

Terminal numbers are not shown on the switch.

※ The above pcb hole dimengion, it is a top view drawing when we fix the switch.

■ Handling Specifications (CFP2)

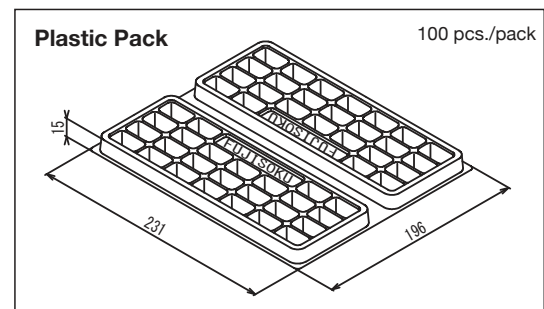
1. Soldering Specifications

- (1) Manual Soldering
 - Device : Soldering iron
 - 350°C, Max.; 3 seconds, Max.
- (2) Auto Soldering
 - Device : Jet wave type or dip type
 - 260°C, Max.; 3-5 seconds, Max. (One time)
 - Total dip time: Within 10 seconds
 - Pre-heating should be done at temperatures from 80°C to 120°C and within 120 seconds
- (3) When soldering two or more terminals to a common land, use solder resist to separate them

2. Flux Cleaning

- (1) Solvents : Fluorine or Alcohol type
- (2) Cleaning after soldering should be done after the PC board is exposed to room temperature (30°C or below) for 1 to 2 hours.
- (3) Do not use ultrasonic cleaning.

■ Packaging Specifications



The blue line shows the outline of the switch.

(ON) : Momentary.

☆ : Semi-standard products.