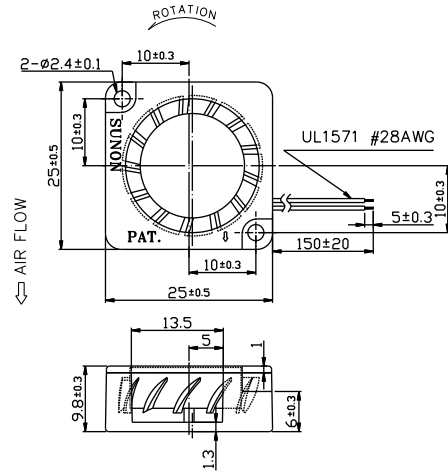
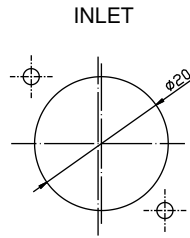


25x25x10 mm

Bearing Type :Ball bearing
Air Flow:0.45-1.0 CFM



Traditional Blower

Model	P/N	Bearing	Rating Voltage (VDC)	Power Current (AMP)	Power Consumption (WATTS)	Speed (RPM)	Air Flow (CFM)	Static Pressure (Inch-H ₂ O)	Noise (dBA)	Weight (g)
B0502PFB1-8		○ BALL	5	0.18	0.9	12000	0.9	0.36	34	6
B0502PFB2-8		○ BALL	5	0.12	0.6	10000	0.7	0.23	32	6
B0502PFB3-8		○ BALL	5	0.06	0.3	7000	0.45	0.20	28	6
B0502AFB1-8		○ BALL	5	0.18	0.9	12000	0.9	0.36	34	9
B0502AFB2-8		○ BALL	5	0.12	0.6	10000	0.7	0.23	32	9
B0502AFB3-8		○ BALL	5	0.06	0.3	7000	0.45	0.20	28	9

MS Blower

B0502PFB1-8	MS	○ BALL	5	0.18	0.9	14000	1.0	0.40	37	6
B0502PFB2-8	MS	○ BALL	5	0.12	0.6	10000	0.8	0.25	30	6
B0502PFB3-8	MS	○ BALL	5	0.06	0.3	7000	0.45	0.20	19	6
B0502AFB1-8	MS	○ BALL	5	0.18	0.9	14000	1.0	0.40	37	9
B0502AFB2-8	MS	○ BALL	5	0.12	0.6	10000	0.8	0.25	30	9
B0502AFB3-8	MS	○ BALL	5	0.06	0.3	7000	0.45	0.20	19	9

Specifications subject to change without notice

