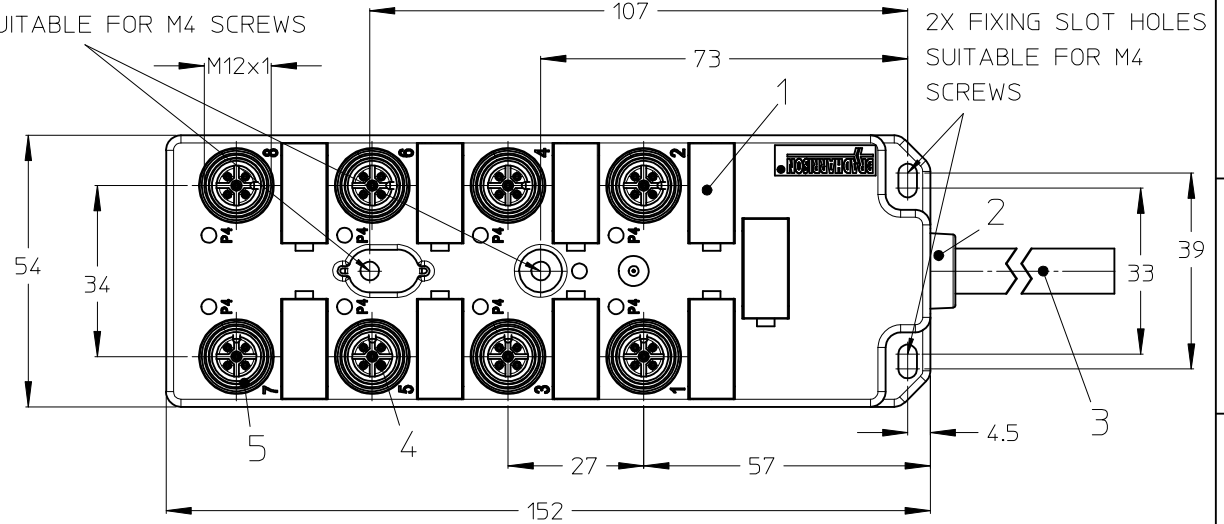


TABLE 1 BILL OF MATERIAL

ITEM	QTY	DESCRIPTION	MATERIAL	FINISH
1	9	LABEL	ABS	WHITE
2	1	CABLE PLATE	PBT	YELLOW
3	1	CABLE	SEE ENG. NO. MATRIX	SEE ENG. NO. MATRIX
4	32	CONTACT	BRASS	GOLD OVER NICKEL
5	8	O-RING	FPM	RED
6	8	SHELL	BRASS	NICKEL PLATET
7	9	LED	NON LED = PBT/ WITH LED = PA	NON LED=YELLOW/ WITH LED=TRANSPARENT
	2	PROTECTING CAP	PP	BLACK
9	1	HOUSING	PBT	YELLOW

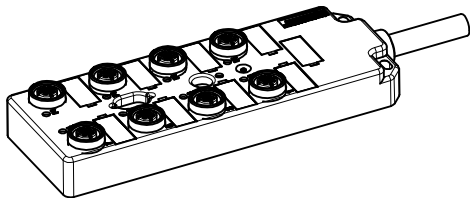
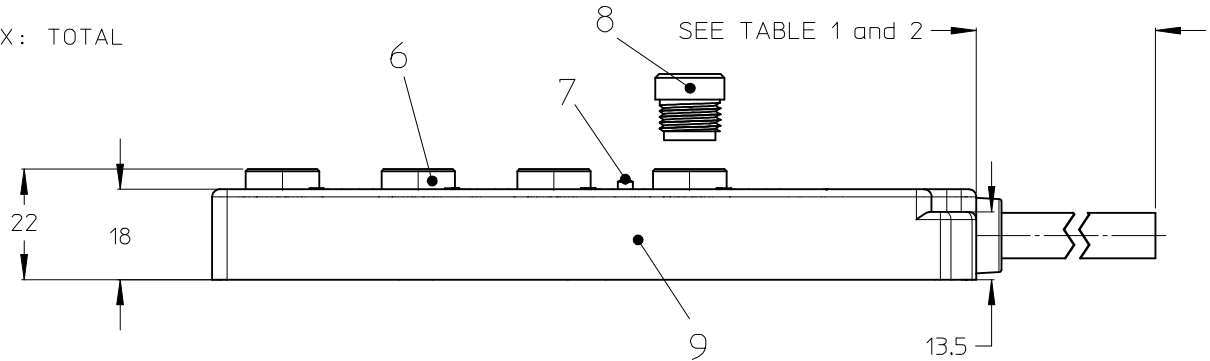
2X FIXING HOLES
SUITABLE FOR M4 SCREWS



GENERAL CHARACTERISTICS:

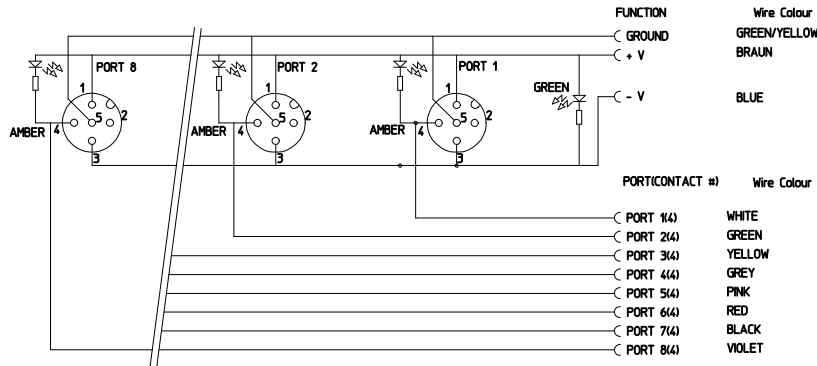
ELECTRICAL AND MECHANICAL DATA ACC. TO IEC 61076-2-101

- NOMINAL VOLTAGE: 24 V DC
- RATED CURRENT: 4 A PER PORT / 12 A MAX: TOTAL
- CONTACT RESISTANCE: ≤ 5 mOHM
- ISULATION RESISTANCE: > 10⁹ OHM
- IP DEGREE OF PROTECTION: IP 67
- TEMPERATURE RANGE: -25°C to + 85°C

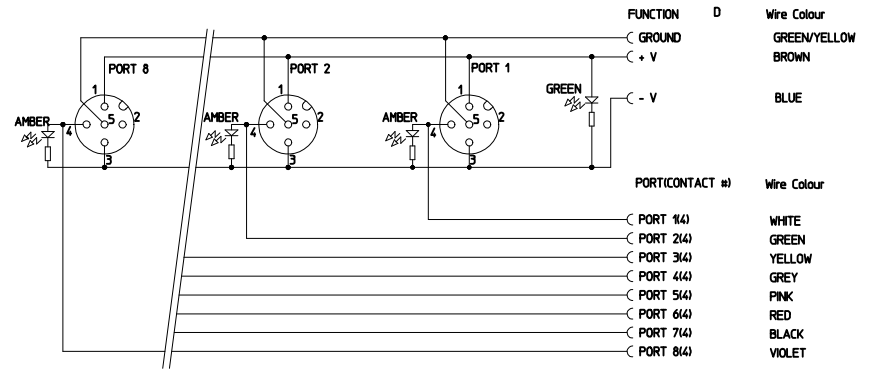


ENTER DESCRIPTION EC NO: IPG2014-0267 DRW:ULETTEMEIER2013/09/24 CHK:RSILLER 2013/09/25 APPR:CBURGER 2013/10/07	QUALITY SYMBOLS ▽=0 ▽=0	GENERAL TOLERANCES (UNLESS SPECIFIED)		DIMENSION STYLE MM ONLY	SCALE 1:1	DESIGN UNITS METRIC	THIRD ANGLE PROJECTION	
		4 PLACES ± --- ± ---	3 PLACES ± --- ± ---	DRAWN BY ULETTEMEIER	DATE 2011/07/12	TITLE MPIS M12 PNP NOS NPN 4P 8PT AC FE STR PUR PVC XM		
		2 PLACES ± 0.1 ± ---	1 PLACE ± 0.2 ± ---	CHECKED BY ZISMAYILOV	DATE 2011/12/14	molex		
		0 PLACE ± --- ± ---		APPROVED BY CBURGER	DATE 2011/12/20			
ANGULAR ± 2 °		DRAFT WHERE APPLICABLE MUST REMAIN WITHIN DIMENSIONS		MATERIAL NO. SEE TABLE 2	DOCUMENT NO. SD-120005-011	SHEET NO. 1 OF 3		
SIZE A3				THIS DRAWING CONTAINS INFORMATION THAT IS PROPRIETARY TO MOLEX INCORPORATED AND SHOULD NOT BE USED WITHOUT WRITTEN PERMISSION				

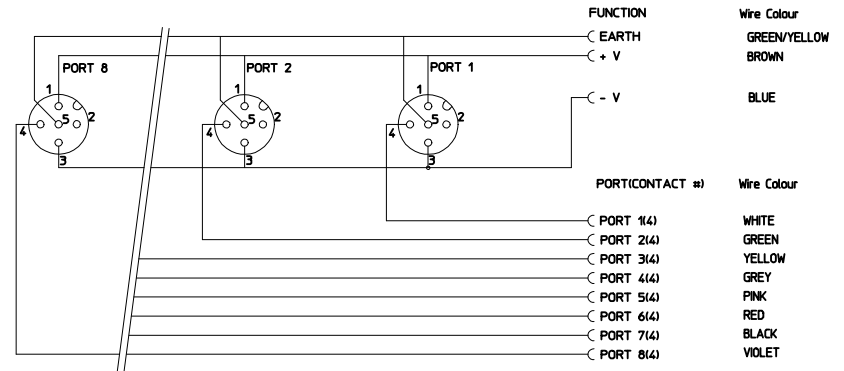
Wiring Diagram NPN



Wiring Diagram PNP



WIRING DIAGRAMM NON LED



ENTER DESCRIPTION EC NO: IPG2014-0267 DRWN:ULETTEMEIER 2013/09/24 CHKD:PSILLER 2013/09/25 APPR:CBURGER 2013/10/07	QUALITY SYMBOLS 	GENERAL TOLERANCES (UNLESS SPECIFIED)		DIMENSION STYLE MM ONLY	SCALE 1:1	DESIGN UNITS METRIC	THIRD ANGLE PROJECTION	
		4 PLACES ± --- ± ---	DRAWN BY DATE ULETTEMEIER 2011/07/12	TITLE MPIS M12 PNP NOS NPN 4P 8PT AC FE STR PUR PVC XM				
		3 PLACES ± --- ± ---	CHECKED BY DATE ZISMAYILOV 2011/12/14					
		2 PLACES ± 0.1 ± ---	APPROVED BY DATE CBURGER 2011/12/20	MATERIAL NO. SEE TABLE 2	DOCUMENT NO. SD-120005-011	SHEET NO. 2 OF 3		
1 PLACE ± 0.2 ± ---	0 PLACE ± --- ± ---	ANGULAR ± 2 °	DRAFT WHERE APPLICABLE MUST REMAIN WITHIN DIMENSIONS			THIS DRAWING CONTAINS INFORMATION THAT IS PROPRIETARY TO MOLEX INCORPORATED AND SHOULD NOT BE USED WITHOUT WRITTEN PERMISSION		

TABLE 2

MOLEX P/N	ENG. NR.	LED	MOLEX P/N	ENG. NR.	LED
1200550583	BTY8000-FBP-05	NO	1200051006	BTY800P-FBN-05	YES
1200550584	BTY8000-FBP-10	NO	1200051007	BTY800P-FBN-10	YES
1200051016	BTY800N-FBN-05	YES	1200051008	BTY800P-FBN-15	YES
1200051017	BTY800N-FBN-10	YES	1201148022	BTY800P-FBP-05	YES
1200051018	BTY800N-FBN-15	YES	1201148023	BTY800P-FBP-10	YES
1200050032	BTY800N-FBP-02	YES	1201148024	BTY800P-FBP-15	YES
1201148020	BTY800N-FBP-05	YES	1201148025	BTY800P-FBP-20	YES
1201140197	BTY800N-FBP-10	YES	1200550781	BTY800P-FBI-30	YES
1201148021	BTY800N-FBP-15	YES			
1200550529	BTY800P-FBE-05	YES			
1200550582	BTY800P-FBE-10	YES			
1200550625	BTY800P-FBE-20	YES			
1200550533	BTY800P-FBI-05	YES			
1200550534	BTY800P-FBI-10	YES			
1200550563	BTY800P-FBI-15	YES			

ENG. NO. MATRIX:

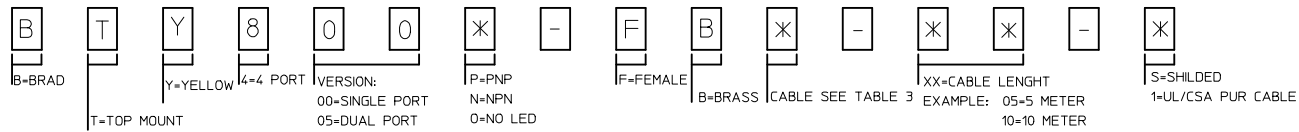


TABLE 3

CABLE	TEM. RANGE STATISCH	TEM. RANGE FLEXIBLE	CABLE DIAMETER (MM) SIGLE (4POLE) 4/6/8 PORT	CABLE DIAMETER (MM) DUAL (5POLE) 4/6/8 PORT	DRAG CHAIN	UL STYLE
P=PUR/PVC/Black	-30°C TO +90°C	-5°C TO +90°C	8.4 ±0.2 / 9.5±0.2 / 9.5 ±0.2	9.5 ±0.2 / 9.8 ±0.2 / 11.4 ±0.2	1.5 MIO. CYCLES	-
P=PUR/PVC/Black/UL/CSA	-25°C TO +90°C	-	7.5 ± 0.2	8.6 ± 0.2	-	-
N=PVC/GREY	-	-10°C TO +80°C	8.4 ± 0.2	9.5 ± 0.2	10 MIO. CYCLES	2464
I=CEI/GREY	-5°C TO +70°C	-	8.4 ± 0.2	9.5 ± 0.2	-	-
E=PVC/YELLOW	-5°C TO +70°C	-	8.4 ± 0.2	9.5 ± 0.2	-	-

ENTER DESCRIPTION EC NO: IPG2014-0267 DRWN:ULETTEMER 2013/09/24 CHKD:RSILLER 2013/09/25 APPR:CBURGER 2013/10/07 A3	QUALITY SYMBOLS ▽=0 ▽=0	GENERAL TOLERANCES (UNLESS SPECIFIED)		DIMENSION STYLE MM ONLY		SCALE 1:1	DESIGN UNITS METRIC	FIRST ANGLE PROJECTION	
		4 PLACES ± --- ± --- 3 PLACES ± --- ± --- 2 PLACES ± 0.1 ± --- 1 PLACE ± 0.2 ± --- 0 PLACE ± --- ± ---	m/m INCH ± --- ± --- ± 0.1 ± --- ± 0.2 ± --- ± --- ± ---	DRAWN BY ULETTEMER 2011/07/12	DATE	TITLE MPIS M12 PNP NOS NPN 4P 8PT AC FE STR PUR PVC XM			
		ANGULAR ± 2 °		CHECKED BY ZISMAYILOV 2011/12/14	DATE	molex			
		DRAFT WHERE APPLICABLE MUST REMAIN WITHIN DIMENSIONS		APPROVED BY CBURGER 2011/12/20	DATE				