

P	LTR	DESCRIPTION	DATE	DWN	APVD
B		ECR-16-001983	18MAY2016	GCM	JB
C		ECR-16-014579	25APR2017	GCM	JB
C1		ECR-20-002488	18SEP2020	SB	MKO
C2		ECR-21-123464	04MAR2022	RK	JB


Notes

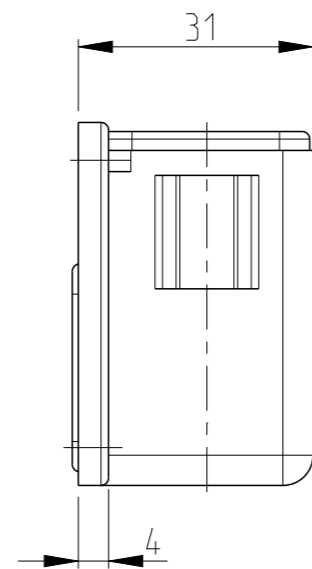
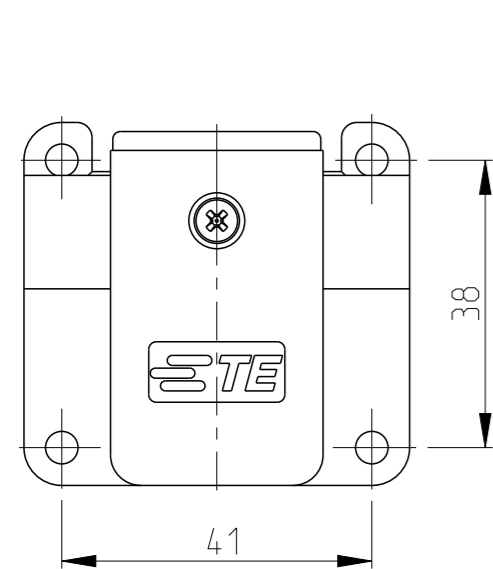
- 1 SUITABLE HOUSINGS: SERIES HIP, SIZE 1  
CUSTOMER DRAWING 1102600, 1106408, 1106200
- 2 STANDARDS:  
DIN EN 61984, DIN EN 60664-1
- 3 PN 0-3 WITHOUT PROFILE SEAL ON CONNECTING SIDE
- 4 TOOL:  
PHILLIPS SCREWDRIVER PH1.
- 5 VARNISH ON INSIDE AREA NOT NECESSARY
- 6 PACKAGING:  
10 SETS IN A CARTON,
- 7 OBSOLETE PARTS: OBSOLETE CIS STREAMLINING PER  
D.RENAUD/D.SINISI

<sup>7</sup> OBSOLETE	0-1102602-3	HIP-K.3/4.SGF.SO
<sup>7</sup> OBSOLETE	<del>0-1102602-1</del>	<del>HIP-K.3/4.SGF.GELB</del>
	2-1102602-5	HIP-K.3/4.SGF
<sup>7</sup> OBSOLETE	<del>1-1102602-5</del>	<del>HIP.3/4.SGF</del>
	PART NO.	ORDERING TEXT

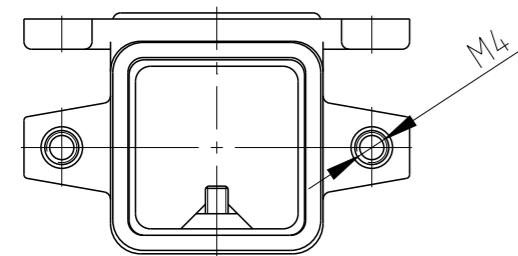
<sup>3</sup> OBSOLETE	<sup>7</sup> OBSOLETE								
1	1	1	1	0 - RING	NBR	BLACK	3.0x1.0		7
1	1	1	1	SCREW COUNTERSUNK RAISED HEAD	STAINL. STEEL V2A	-	M3x8 PH1 DIN EN ISO 7047		6
1	2	2	2	PROFILE SEAL	FKM	BLACK	SERIES EMV / HIP		5
-	-	-	-	ANGLED BULKHEAD HOUSING	ALU	YELLOW	SERIES HIP-K		3
1	-	1	-	ANGLED BULKHEAD HOUSING	ALU	BLACK	SERIES HIP-K		2
-	-	-	1	ANGLED BULKHEAD HOUSING	ALU	GREY	SERIES HIP		1
0-3	0-1	2-5	1-5						
				DESCRIPTION	MATERIAL	COLOR/SURFACE	NOTE		ITEM

PARTS LIST (PER ONE UNIT)

THIS DRAWING IS A CONTROLLED DOCUMENT.		DWN V.GLUMM 19AUG2009	 TE Connectivity	
DIMENSIONS: mm		CHK H.Braun 19AUG2009		
TOLERANCES UNLESS OTHERWISE SPECIFIED:		APVD T.Schnurpfeil 19AUG2009		
0 PLC ± 1 PLC ± 2 PLC ± 3 PLC ± 4 PLC ± ANGLES ±1°		PRODUCT SPEC -		
MATERIAL -		FINISH -	NAME ANGLED BULKHEAD HOUSING ASS'Y BOTTOM ENTRY, SERIES HIP, SIZE 1	
		WEIGHT -	SIZE A3	CAGE CODE 00779
			DRAWING NO C=1102602	RESTRICTED TO
			SCALE 1:1	SHEET 1 OF 1
			CUSTOMER DRAWING	REV C2



PN 1-5 AS SHOWN



PANEL-CUT-OUT

