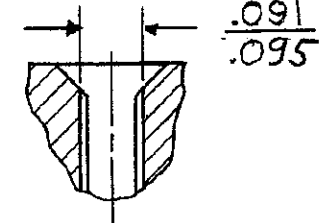
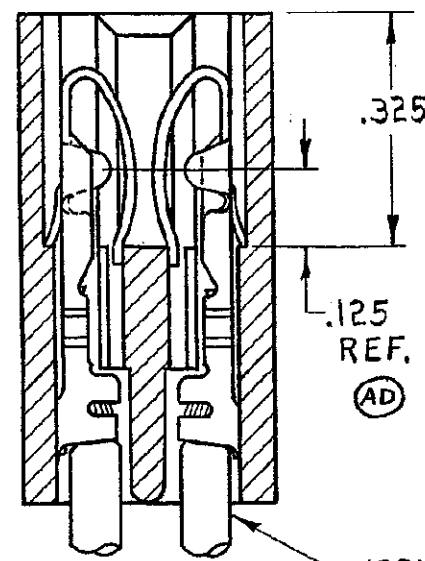
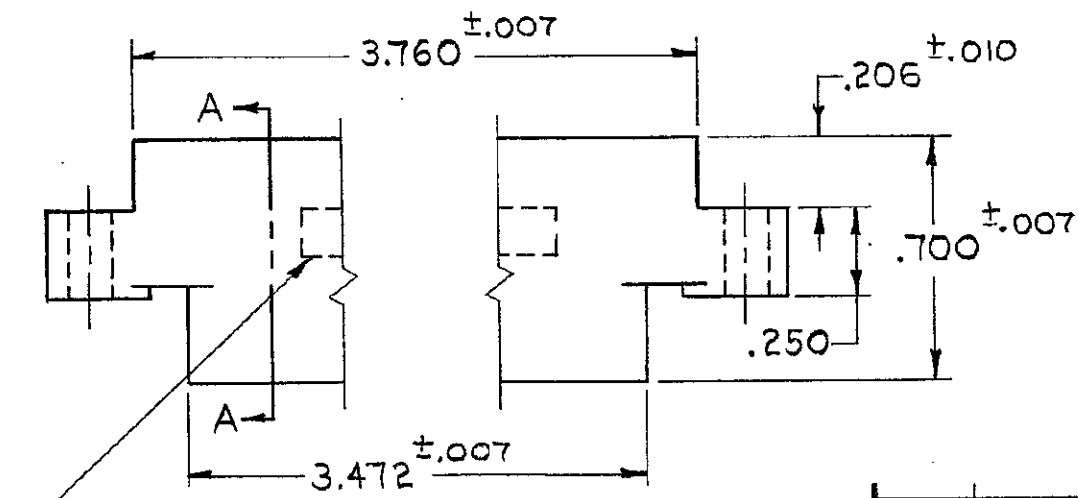
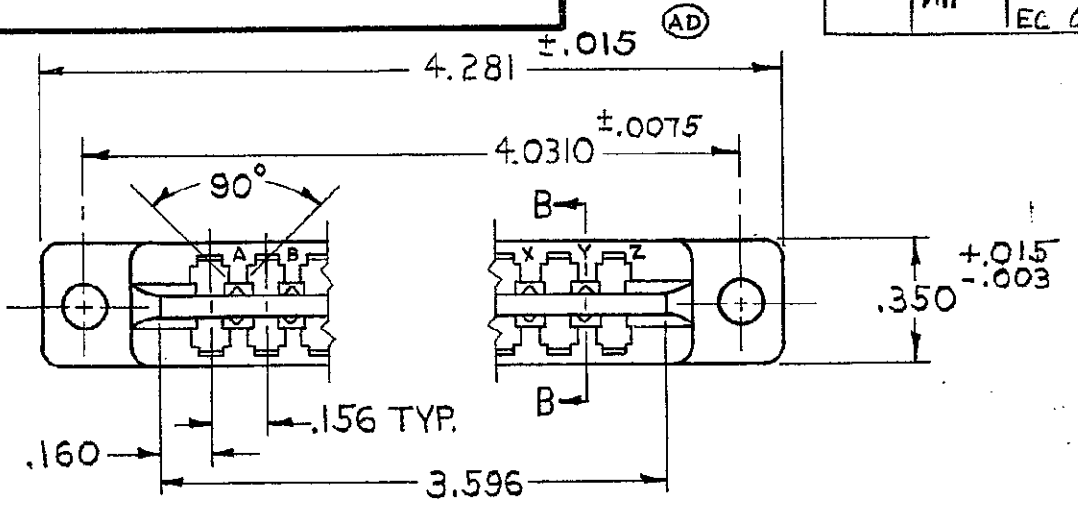


NUMBER 480142

© 1962 BY AMP INCORPORATED. ALL RIGHTS RESERVED. AMP PRODUCTS COVERED BY PATENTS AND/OR PATENTS PENDING.

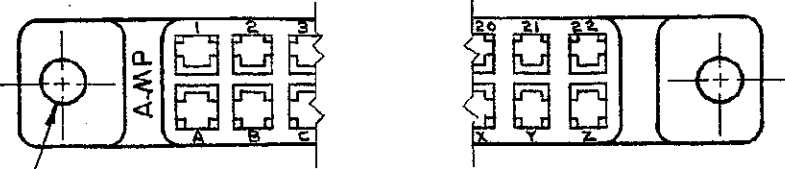
AF	REV PER AD 1735	722-87
AG	OBS -6 PER AD 1831	16 3-22-88
AH	OBS 582358-2 R-3 PER EC 0320-354-97	05 JAN 98

SYMBOL		DESCRIPTION	DATE	APPROVAL
AA	-	REDRAWN WITHOUT CHANGE V-462	9-10-4	CO.
AB	-	REVISED. ADDED -6 (SHT. 3) W-753	10-6-5	m.S./D.H.
AC	-	REVISED SHEET 1 Y-212	2-23-6	m.S./D.H.
AD	-	REVISED 3 SHEETS 1600	10-27-67	m.S. D.H.
AD1	-	ADD -7 SHT. 2 (WAS 5112-195-1) 2519	5-19-70	m.S. D.H.
AD2	-	ADD -8 SHT. 2 (WAS 5112-250-1) 2585	7-17-70	m.S. D.H.
AD3	-	ADDED -9 SHT. 3 (WAS 5112-176-1 CUST) 2946	3-25-71	m.S. D.H.
AE	-	REVISED 7490	8-4-81	
AE1	-	OBSOLETE -7, -8 Per ECN AD1087	2-7-80	



NOTE: .070-.055 BOARD THICKNESS.

AMP PART NO. & DATE CODE THIS AREA.



HOLE DIA. SEE TABLE.

QTY REQD	PART OR IDENTIFYING NO.	NOMENCLATURE OR DESCRIPTION	PART NO.	HOLE DIA.
			480142-6	.150 DIA. 2 HOLES
			480142-2	.125 DIA. 2 HOLES

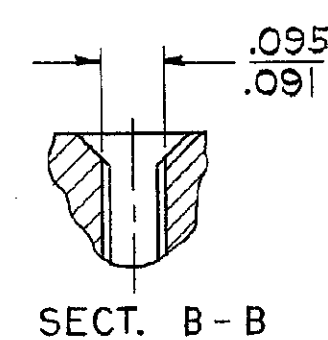
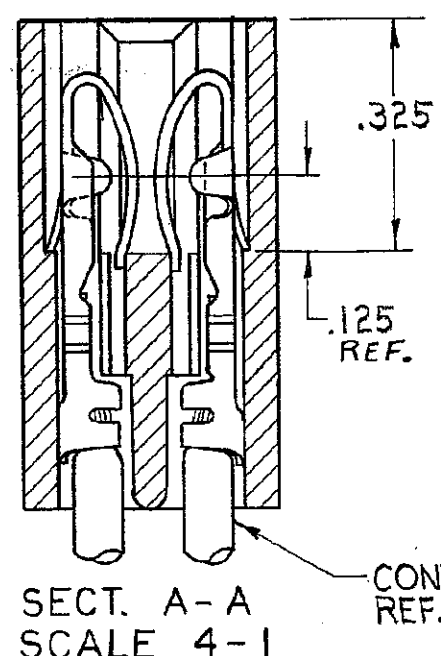
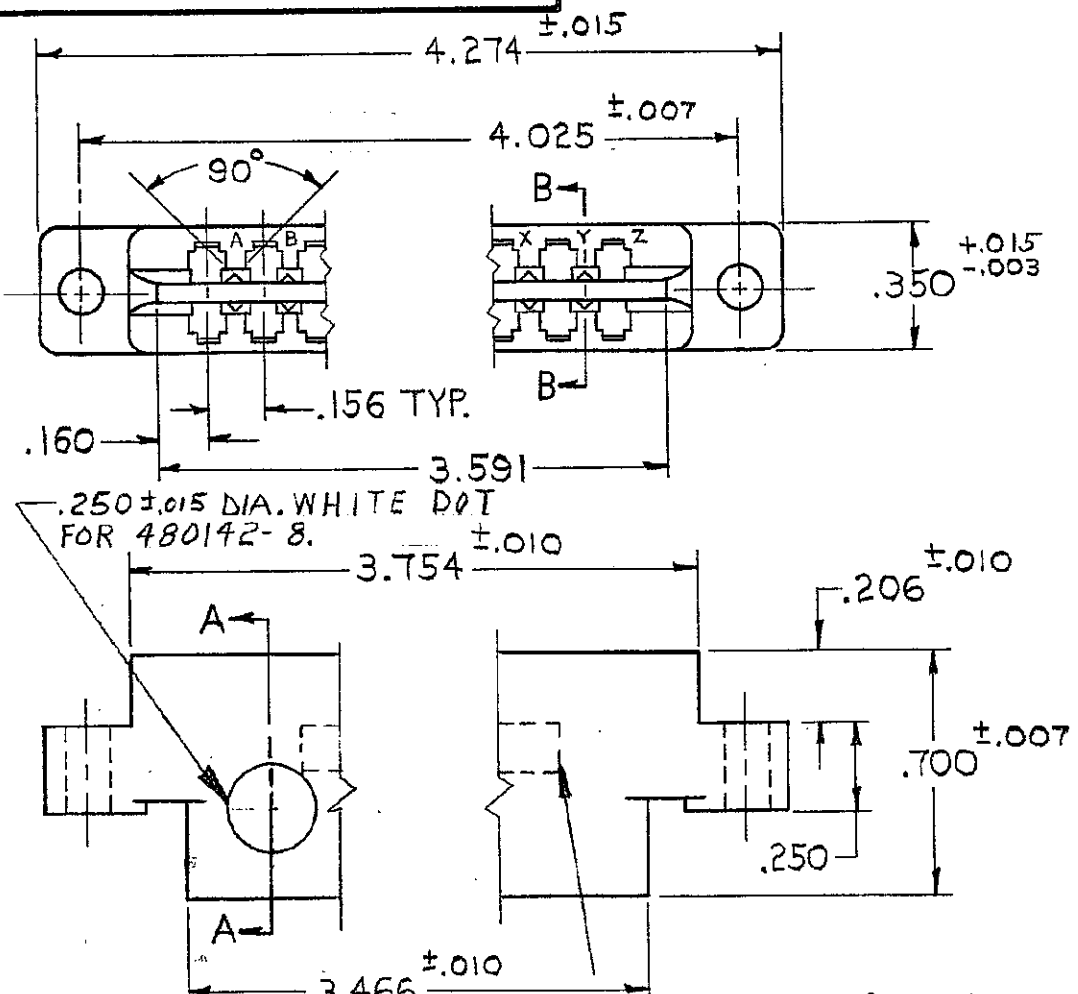
UNLESS OTHERWISE SPECIFIED DIMENSIONS ARE IN INCHES TOLERANCES ON		SIGNATURE		DATE		AMP INCORPORATED HARRISBURG, PENNSYLVANIA	
FRACTIONS ± #	DECIMALS ± .005	ANGLES ± 0° 30'	DR C. Ostergis	9/10/64	AMP TRADEMARK		
MATERIAL DIALYL PHTHALATE GLASS FILLED PER MIL-M-14F TYPE SDG-F			CHK J. Mella	9/19/64	NAME 22 DUAL AMP LEAF HOUSING		
HEAT TREAT			APPD R. [Signature]	10/23/64	CODE IDENT NO 00779		
FINISH			APPD R. [Signature]	10/23/64	SIZE B NUMBER 480142		
OTHER APPD					SCALE 2-1 WT CALC ACTUAL SHEET 1 OF 3		

AMP INFO
LOC PR DIST
FT AM 22

NUMBER 480142

©1962 BY AMP INCORPORATED. ALL RIGHTS RESERVED. AMP PRODUCTS COVERED BY PATENTS AND/OR PATENTS PENDING.

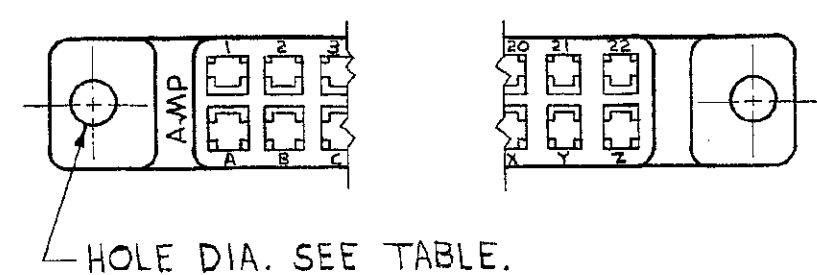
REVISIONS				
SYM	ZONE	DESCRIPTION	DATE	APPROVAL
-	-	SEE SHEET 1		



NOTE:
.070-.055 BOARD THICKNESS.

OBsolete	Part No.	Description
	480142-8	STAMP .250 ±.015 DIA. WHITE DOT ON LOWER LEFT HAND CORNER EITHER SIDE OF HOUSING .125 DIA. HOLES.
	480142-7	.125 DIA. HOLES ESPL CUST. MARKING 113P328
OBsolete	582358-3	.150 DIA. 2 HOLES
	480142-3	.125 DIA. 2 HOLES

AMP PART NO. & DATE CODE THIS AREA.



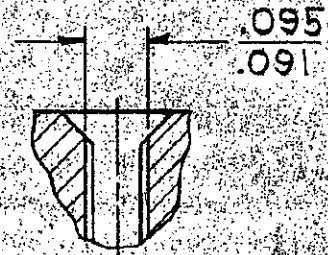
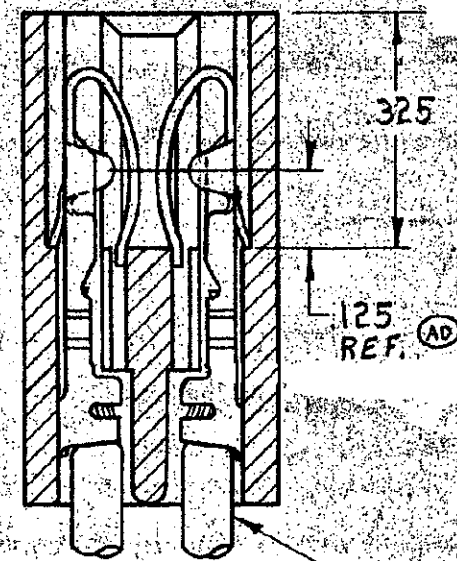
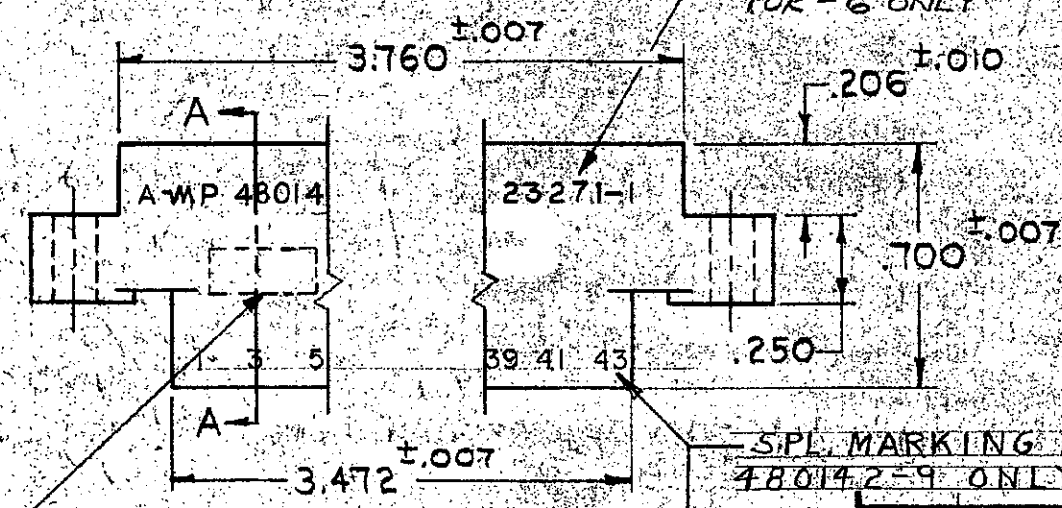
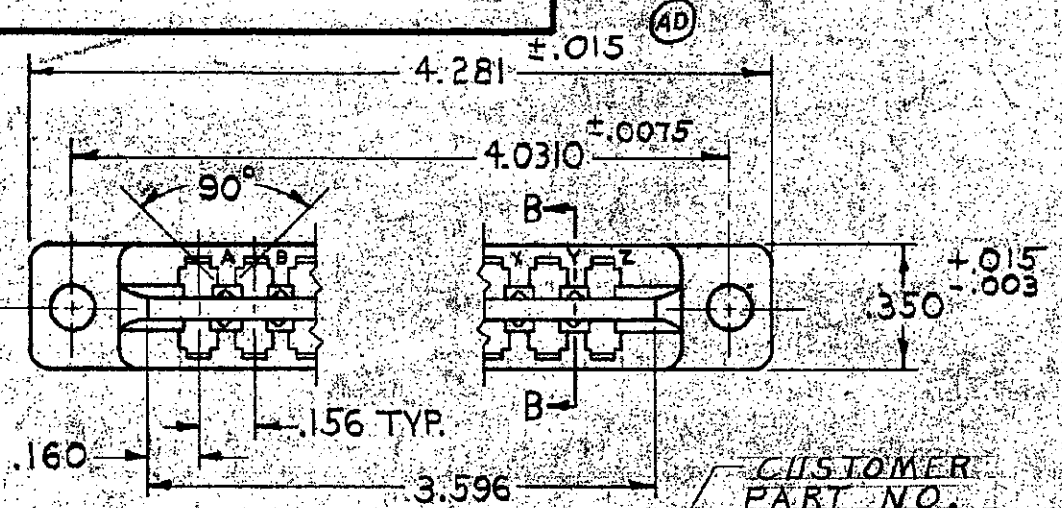
QTY REQD	PART OR IDENTIFYING NO.	NOMENCLATURE OR DESCRIPTION	PART NO.	HOLE DIA.
LIST OF MATERIALS OR PARTS LIST				
UNLESS OTHERWISE SPECIFIED DIMENSIONS ARE IN INCHES TOLERANCES ON		SIGNATURE		
FRACTIONS ± #	DECIMALS ± .005	ANGLES ± 0° 30'	DR <i>C. Ontenio</i>	DATE 9/11/64
MATERIAL PHENOLIC — COLOR BLACK			CHK <i>J. Miller</i>	DATE 7/18/64
HEAT TREAT — # —			APPR <i>R. K. ...</i>	DATE 10/23/64
FINISH — # —			DSGN APPD <i>R. ...</i>	DATE 11/23/64
OTHER APPD			AMP INCORPORATED HARRISBURG, PENNSYLVANIA	
AMP INFO LOC FT. DIST. 22			NAME 22 DUAL AMP LEAF HOUSING	
SCALE 2-1			CODE IDENT NO 00779	SIZE NUMBER B 480142
WT			CALC	ACTUAL
SHEET			2 OF 3	

CUSTOMER DRAWING

NUMBER 480142

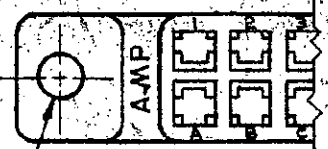
© 1962 BY AMP INCORPORATED. ALL RIGHTS RESERVED. AMP PRODUCTS COVERED BY PATENTS AND/OR PATENTS PENDING.

REVISIONS				
SYM	ZONE	DESCRIPTION	DATE	APPROVAL
SEE SHEET 1				

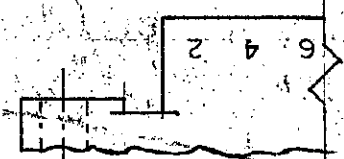


NOTE: .070-.055 BOARD THICKNESS.

DATE CODE THIS AREA.



HOLE DIA. SEE TABLE.



CUSTOMER PART NO. FOR - 6 ONLY

SPL MARKING FOR 480142-9 ONLY

QTY REQD	PART OR IDENTIFYING NO.	NOMENCLATURE OR DESCRIPTION	PART NO.	HOLE DIA.
			480142-9	.125 DIA. 2 HOLES
			480142-6	.125 DIA. 2 HOLES

LIST OF MATERIALS OR PARTS LIST			
UNLESS OTHERWISE SPECIFIED DIMENSIONS ARE IN INCHES FRACTIONS DECIMALS ANGLES = 1/16 ±.005 ±0°30'		SIGNATURE	DATE
MATERIAL DIALYL PHTHALATE GLASS FILLED PER MIL-M-14F TYPE SDG-F		DP: <i>M. Smith</i>	10-5-5
HEAT TREAT: #		CHK: <i>S. Heide</i>	10/7/65
FINISH: #		DSGN ENGR	
LOC: FT		APPD: <i>R. Shuman</i>	10/9/65
PRINT: 22		DSGN APPD: <i>R. Holliday</i>	10/1/65
AMP INFO		OTHER APPD:	
CODE IDENT NO.	SIZE	NUMBER	
00779	B	480142	
SCALE 2-1	WT	CALC	ACTUAL
			SHEET 3 OF 3



AMP INCORPORATED
HARRISBURG, PENNSYLVANIA

22 DUAL AMP LEAF HOUSING

CUSTOMER DRAWING