

THIS DRAWING IS UNPUBLISHED. RELEASED FOR PUBLICATION  
 © COPYRIGHT BY TYCO ELECTRONICS CORPORATION. ALL RIGHTS RESERVED.

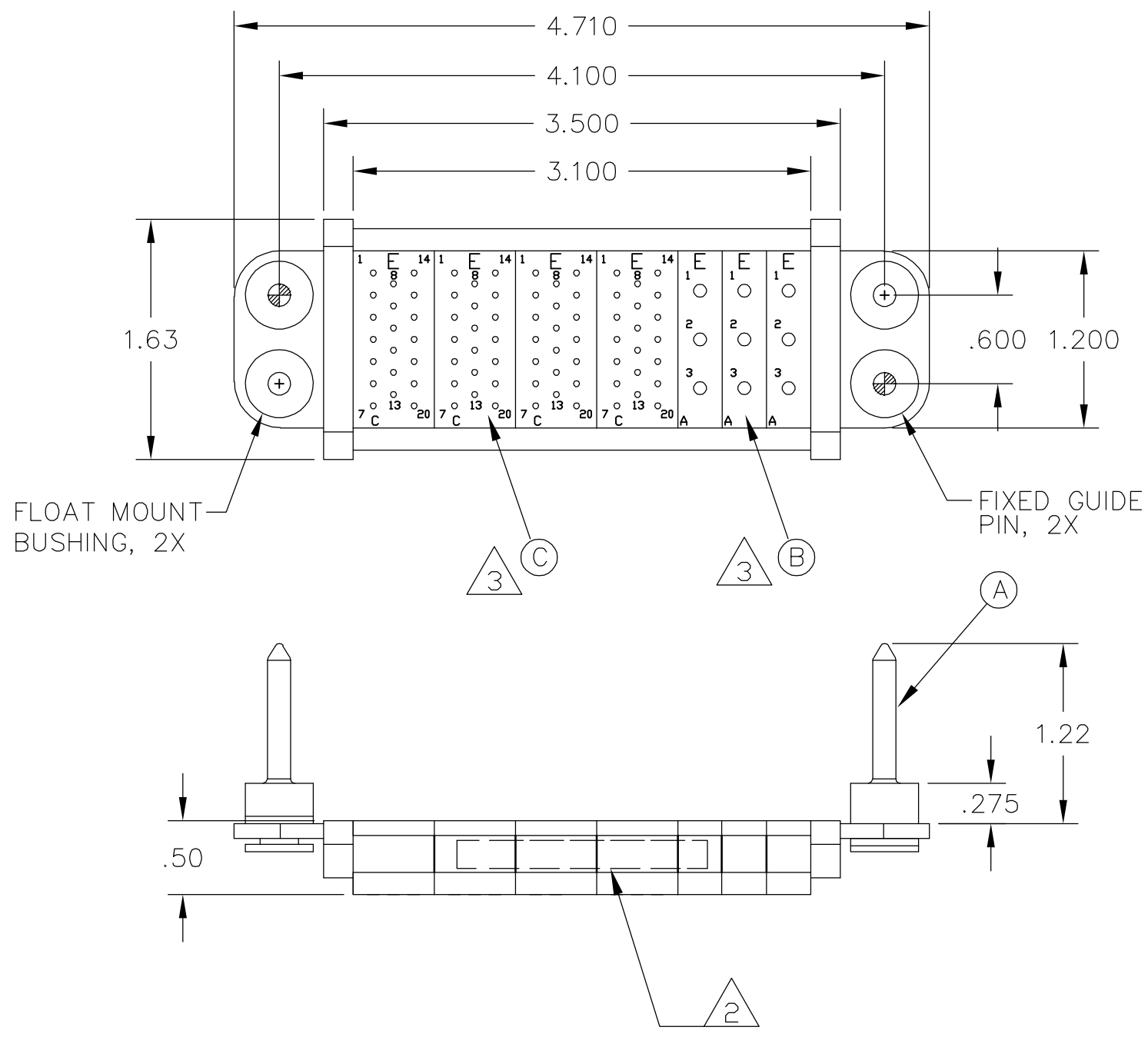
LOC	DIST	REVISIONS					
GP	00	P	LTR	DESCRIPTION	DATE	DWN	APVD
			A	NEW RELEASE	9MAR07	RG	DO

1. PART NUMBER CHANGES AND/OR DESIGN CHANGES AFFECTING ITEM INTERCHANGEABILITY REQUIRE PRIOR TYCO APPROVAL AND AUTHORIZATION BY REVISION TO THIS DRAWING.

2. ITEMS PROVIDED TO THIS SPECIFICATION TO BE PERMANENTLY IDENTIFIED PER THE FOLLOWING IDENTIFIER:

YEAR    WEEK     
 TYCO PART NUMBER DATE CODE (e.g. 0212)  
 XXXXXXXX-X XXXX

3. MODULES NOTED ARE CRIMP REMOVABLE STYLE. THIS ASSEMBLY DOES NOT INCLUDE PIN CONTACTS. PROPER CONTACT ORDERING AND SELECTION SHALL BE THE RESPONSIBILITY OF THE CUSTOMER.

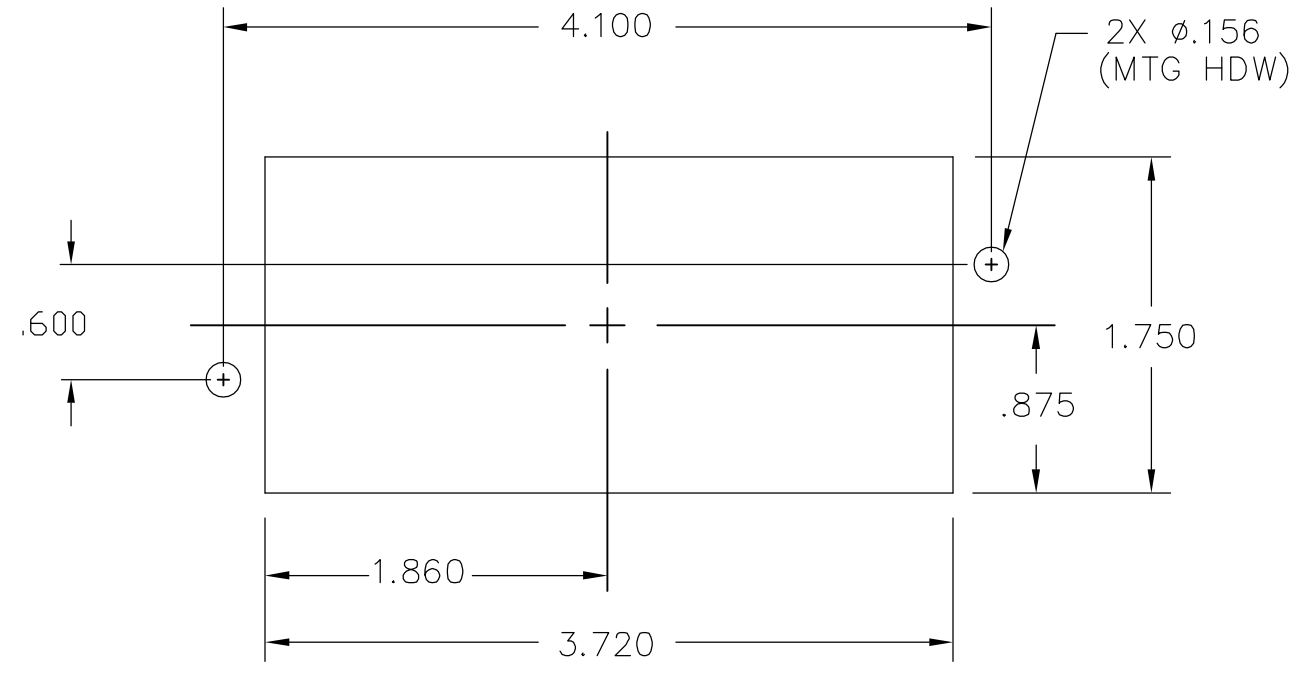


4	1648463-1	MODULE C	C
3	1648461-1	MODULE A	B
2	6648251-1	END CAP, GUIDE PIN, FLOAT	A
-1	PART NUMBER	DESCRIPTION	ITEM

THIS DRAWING IS A CONTROLLED DOCUMENT.		DWN R.GRZYBOWSKI 09MAR2007	Tyco Electronics Corporation Harrisburg, PA 17105-3608	
DIMENSIONS: INCHES		CHK D.ORRIS 9MAR07	NAME S.FLICKINGER 9MAR07	
TOLERANCES UNLESS OTHERWISE SPECIFIED:		PRODUCT SPEC		
0 PLC ± -		APPLICATION SPEC		
1 PLC ± -		SIZE		
2 PLC ± .02		CAGE CODE		
3 PLC ± .010		DRAWING NO		
4 PLC ± -		RESTRICTED TO		
ANGLES ± 5		A3 00779 C-6646115		
MATERIAL		WEIGHT		
FINISH		CUSTOMER DRAWING		
		SCALE 1:1		SHEET 1 OF 2
				REV A

THIS DRAWING IS UNPUBLISHED. RELEASED FOR PUBLICATION  
 © COPYRIGHT - BY TYCO ELECTRONICS CORPORATION. ALL RIGHTS RESERVED.

LOC	DIST	REVISIONS					
GP	00	P	LTR	DESCRIPTION	DATE	DWN	APVD
		-		SEE SHEET 1	-	-	-



PIN PANEL MOUNT CUTOUT  
 SCALE: NONE

THIS DRAWING IS A CONTROLLED DOCUMENT.		DWN	R.GRZYBOWSKI	09MAR2007	Tyco Electronics Corporation Harrisburg, PA 17105-3608		
DIMENSIONS: INCHES		CHK	D.ORRIS	9MAR07	NAME		
		APVD	S.FLICKINGER	9MAR07	PIN CONNECTOR DOMINO W/ PANEL CUT-OUT		
TOLERANCES UNLESS OTHERWISE SPECIFIED:		PRODUCT SPEC	-				
0 PLC ± -		APPLICATION SPEC	-				
1 PLC ± -		WEIGHT	-				
2 PLC ± .02		SIZE	A3	CAGE CODE	00779	DRAWING NO	C-6646115
3 PLC ± .010		RESTRICTED TO	-				
4 PLC ± -		SCALE	1:1		SHEET	2 OF 2	
ANGLES ± 5		REV	A				
MATERIAL	-	FINISH	-				
CUSTOMER DRAWING							