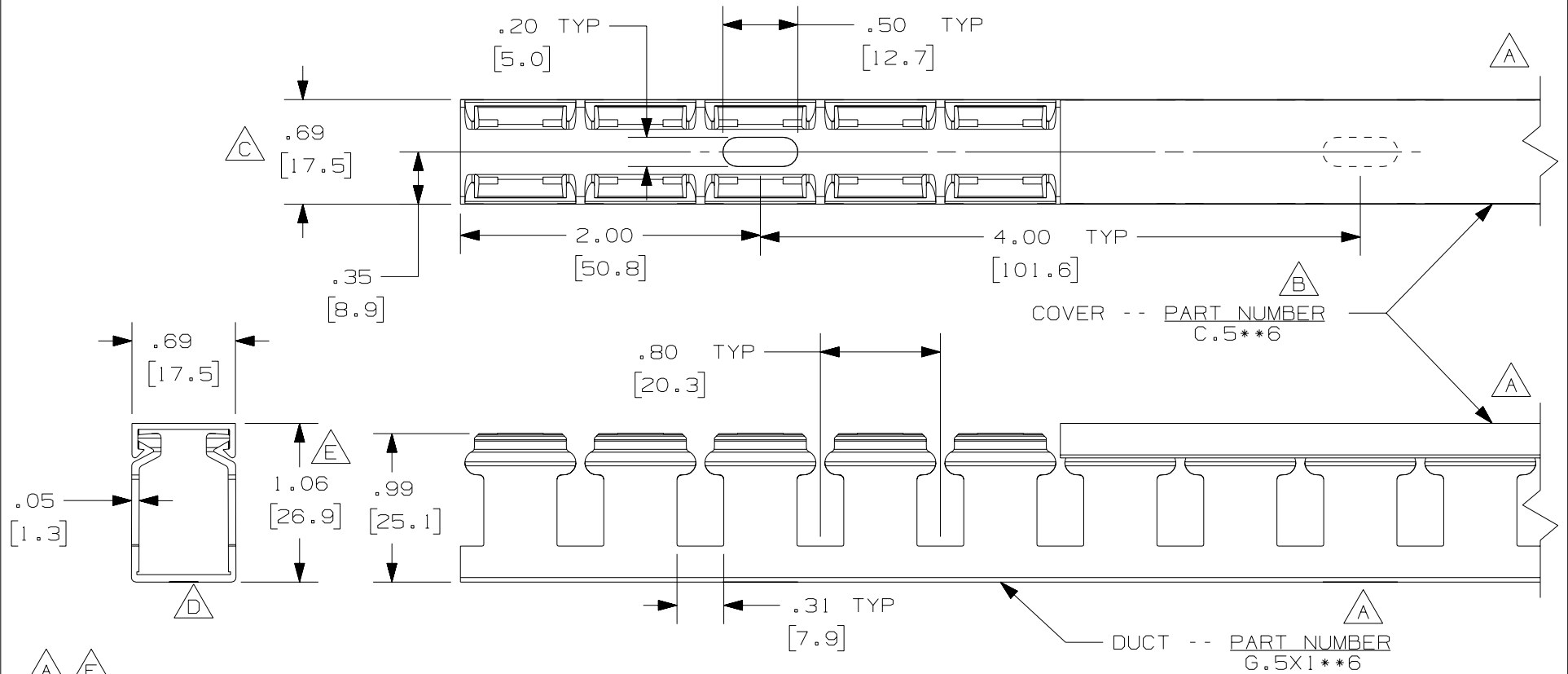


THIS COPY IS PROVIDED ON A RESTRICTED BASIS AND IS NOT TO BE USED IN ANY WAY DETRIMENTAL TO THE INTERESTS OF PANDUIT CORP.



△ △ F

NOTE.

1. ALL DIMENSIONS ARE REFERENCE ONLY.
2. DIMENSIONS IN PARENTHESES ARE METRIC.
3. THE \*\* DENOTE COLOR.
4. DUCT AND COVER ARE AVAILABLE IN 6 FT [1828.8] LENGTHS.

CAD FILENAME/LAYERS D11000PY\_DC\_00C

PANDUIT CORP. TINLEY PARK, ILLINOIS

WIRING DUCT - TYPE G DUCT WITH COVER  
.5 X 1  
MARKETING DRAWING

REV	DATE	BY	CHK	DESCRIPTION
2	7/6/07	JCSt	MKBE	D. DELETED DIMENSION C. ADDED DIMENSION
1	4/23/04	JCSt	MKBE	B. CHANGED VIEW A. ADDED TOP VIEW, LABELS, AND NOTES
R	2/21/03	JCSt	JGG	DRAWING RELEASED

DRAWN BY JCSt	MAT'L; PVC	SCALE FULL
DATE 2/21/03	CHK'D JGG	DWG A
DRAWING NO. 36897-689		SIZE A