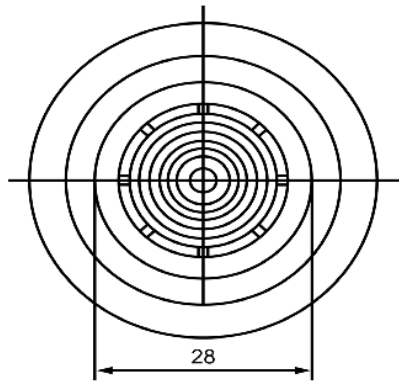
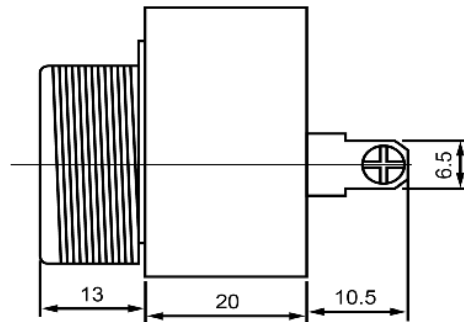


TOP VIEW



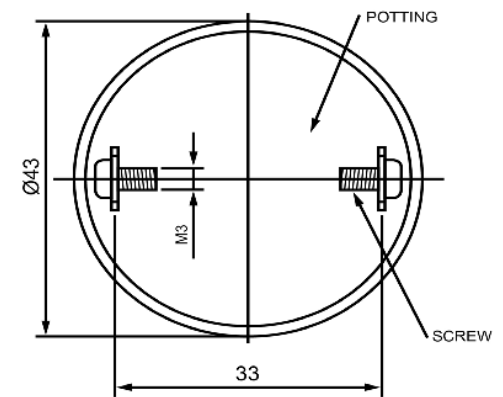
SIDE VIEW (1)



SIDE VIEW (2)



BOTTOM VIEW



Specifications			Notes	Revision History									
Description	Value	Unit		Version	Description	Date	Approved	Drawn by	Date	Checked by	Date	Approved by	Date
Technology	Piezo		1) All dimensions are in mm unless otherwise noted 2) All parts meet RoHS	1	Released from Engineering	10/21/2013	J.S	A.B.	10/21/2013	C.E.	10/21/2013	J.S	10/21/2013
Resonant Frequency	2,800	(Hz)											
Rated Voltage	12	(V)											
SPL @ 10cm	97	(dBA)											
Tone	Single												
Mount Type	Panel Mount												
Voltage Range	4 ~ 28	(V)											
Max Rated Current	8	(mA)											
Housing Material	ABS												
Operating Temperature	-20 ~ +60	°C											
Storage Temperature	-30 ~ +70	°C											
Weight	43	(g)											



Piezo Indicator

IP432812-2

Additional considerations can be found at www.dbunlimitedco.com/technical-articles.