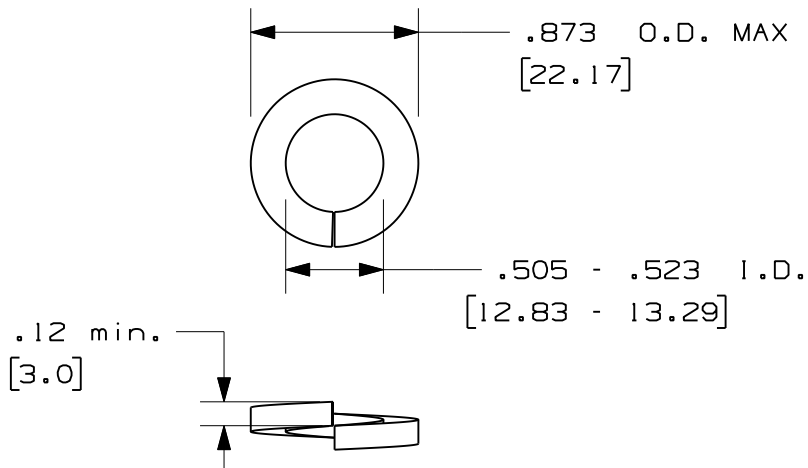


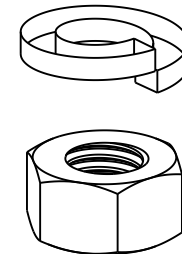
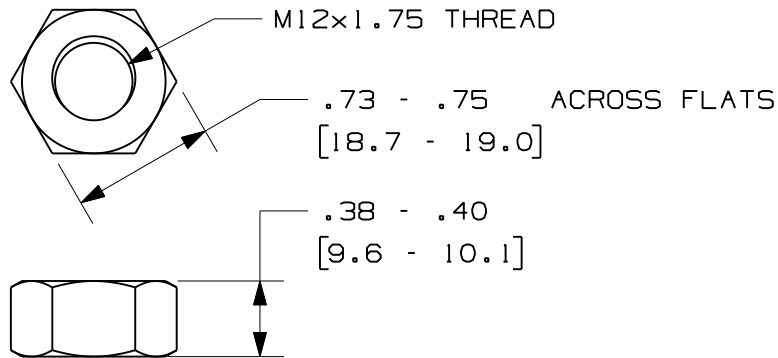
THIS COPY IS PROVIDED ON A RESTRICTED BASIS AND IS NOT TO BE USED IN ANY WAY DETRIMENTAL TO THE INTERESTS OF PANDUIT CORP.



PANDUIT PART NUMBER	WEIGHT PER KIT
HNLW12M	4.68 lb 2123 g

**NOTES:**

1. SEE CURRENT CATALOG FOR ADDITIONAL PART SUFFIXES TO INDICATE PACKAGE QUANTITY.
2. EACH KIT CONTAINS:  
100 PIECES OF M12 X 1.75 HEX NUT  
100 PIECES OF HELICAL SPRING LOCKWASHER
3. FINISH COLOR: CLEAR ZINC PLATE
4. DIMENSIONS IN PARENTHESES ARE METRIC.



CAD FILENAME/LAYERS 09D017GQ\_DC/00B (HNLW12M)

PANDUIT CORP. TINLEY PARK, ILLINOIS

HEX NUT AND LOCKWASHER KIT  
12 MM THREAD  
CUSTOMER DRAWING

UNLESS OTHERWISE SPECIFIED,  
DIMENSIONAL TOLERANCES ARE:  
(.X) ± (.XXX) ± .005 (.13)  
(.XX) ± .010 (.3) ANGLES ± 1°

UNLESS OTHERWISE SPECIFIED,  
ALL DIMENSIONS ARE GIVEN  
IN INCHES, THIRD ANGLE PROJECTION.

REV	DATE	BY	CHK	DESCRIPTION	ECN	CHK	CUST	SUP
I	02-11-11	ERK	DWW	RELEASED TO PRODUCTION	09D01760-DC	RN	RN	
R	12-20-10	JAHA	DWW	DRAWING RELEASED				

DRAWN BY JAHA  
DATE 12-20-10  
CHK'D DWW

MAT'L: SEE NOTES ABOVE

SCALE FULL  
DRAWING NO. 09D017GQ-DC  
DWG SIZE A