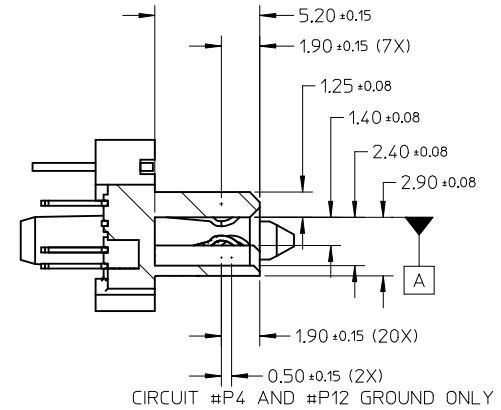
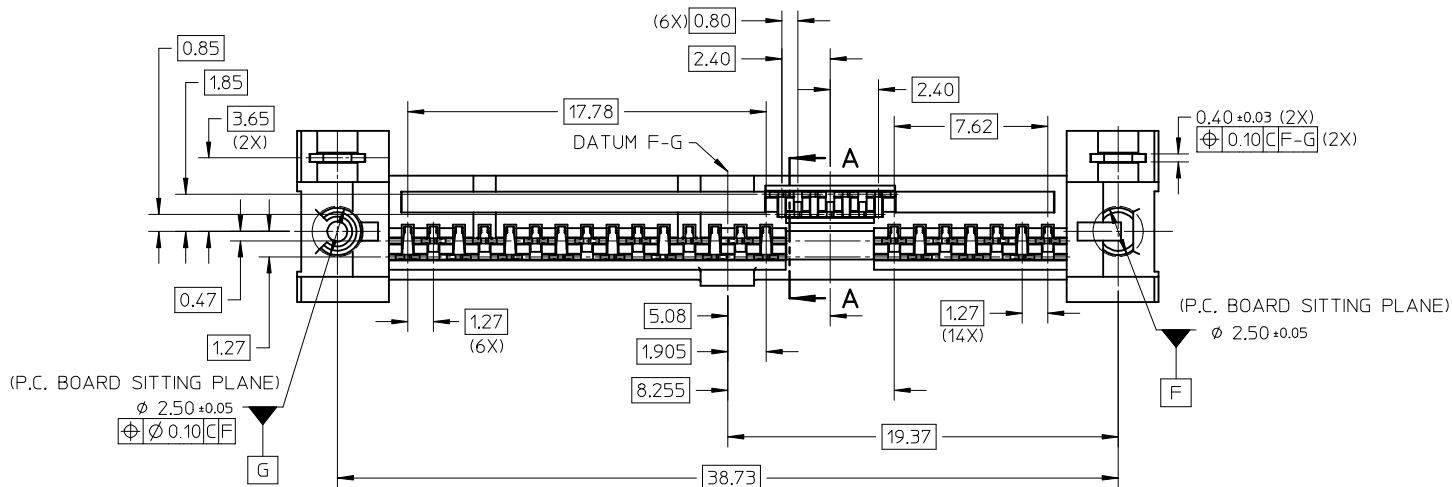
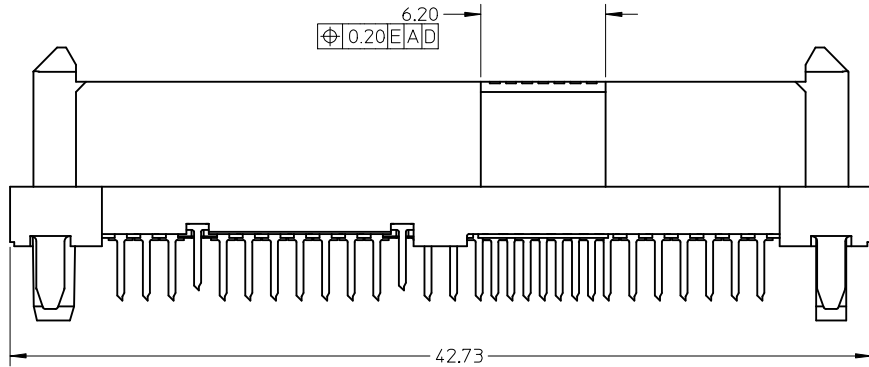




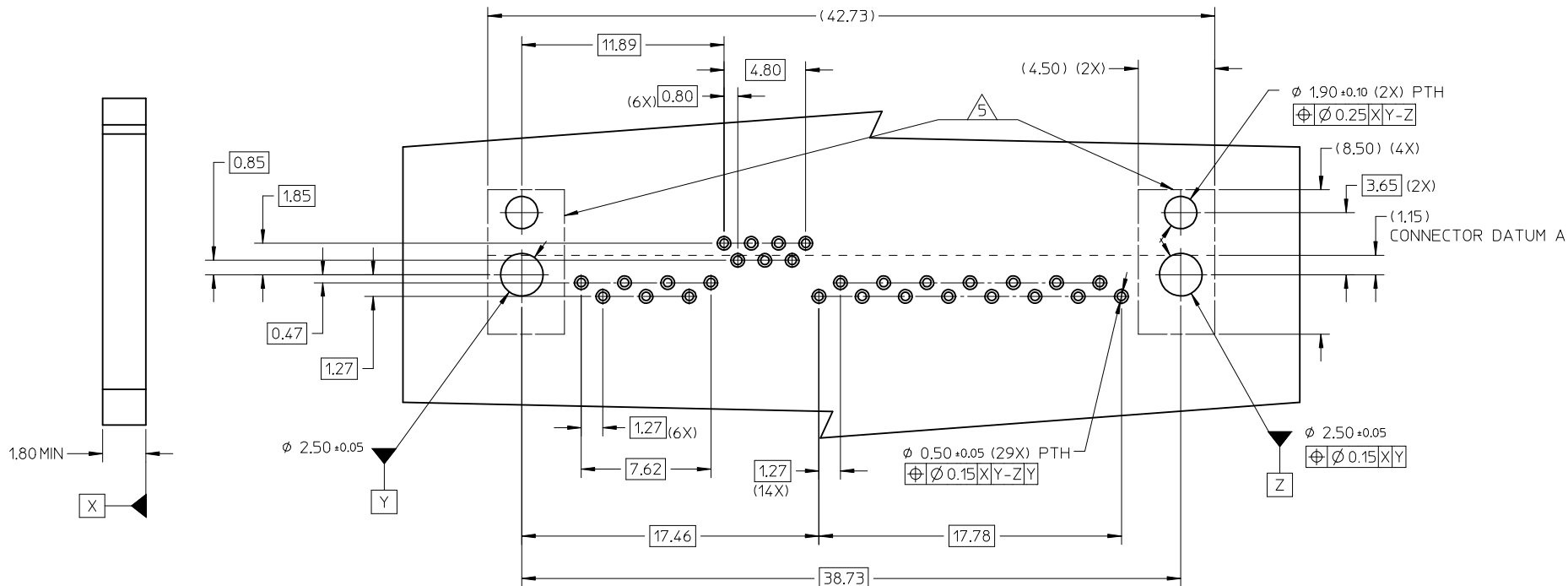
10 9 8 7 6 5 4 3 2 1



SECTION A-A

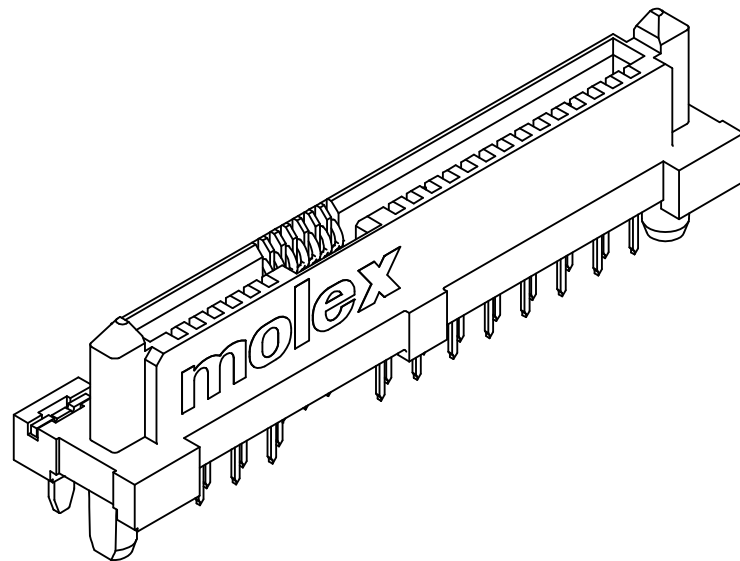
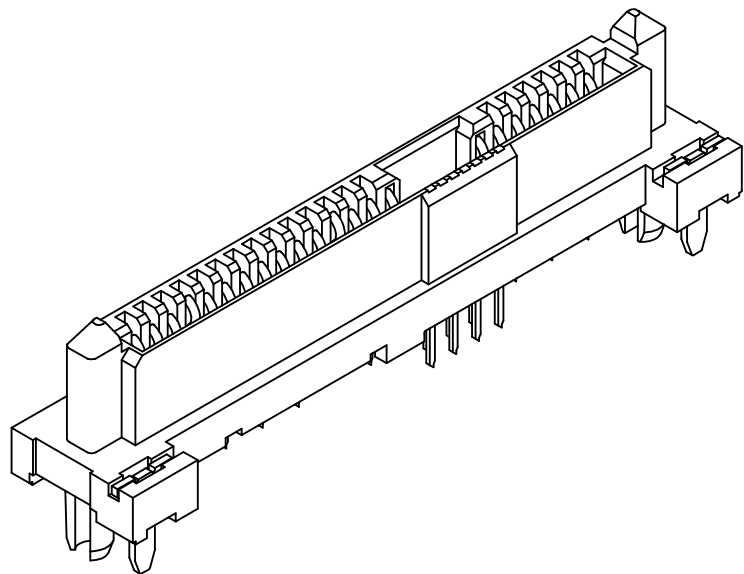
<p>SEE SHEET 1                  EC NO: S2006-0480                  DRWN:YKOH 2005/11/10                  CHKD:SHONG 2005/11/10                  APPR:KCLING 2005/11/11</p>	<p>QUALITY SYMBOLS                  ▽=0                  Ⓢ=0</p>	<p>GENERAL TOLERANCES (UNLESS SPECIFIED)</p>		<p>DIMENSION STYLE                  MM ONLY</p>	<p>SCALE                  NTS</p>	<p>DESIGN UNITS                  METRIC</p>	<p>THIRD ANGLE PROJECTION</p>														
		<table border="1"> <thead> <tr> <th></th> <th>mm</th> <th>INCH</th> </tr> </thead> <tbody> <tr> <td>4 PLACES</td> <td>± ---</td> <td>± ---</td> </tr> <tr> <td>3 PLACES</td> <td>± ---</td> <td>± ---</td> </tr> <tr> <td>2 PLACES</td> <td>± 0.20</td> <td>± ---</td> </tr> <tr> <td>1 PLACE</td> <td>± ---</td> <td>± ---</td> </tr> </tbody> </table>		mm	INCH	4 PLACES	± ---	± ---	3 PLACES	± ---	± ---	2 PLACES	± 0.20	± ---	1 PLACE	± ---	± ---	<p>DRAWN BY                  DKOH</p>	<p>DATE                  2004/12/03</p>	<p>TITLE                  SERIAL ATTACH SCSI                  VERT. STAGGERED T/H                  STANDARD HEIGHT</p>	
			mm	INCH																	
		4 PLACES	± ---	± ---																	
3 PLACES	± ---	± ---																			
2 PLACES	± 0.20	± ---																			
1 PLACE	± ---	± ---																			
<p>ANGULAR ± 3 °</p>	<p>CHECKED BY                  KCLING</p>	<p>DATE                  2005/01/13</p>	<p>MOLEX INCORPORATED</p>																		
<p>DRAFT WHERE APPLICABLE                  MUST REMAIN                  WITHIN DIMENSIONS</p>	<p>APPROVED BY                  SKTOH</p>	<p>DATE                  2005/01/14</p>	<p>MATERIAL NO.                  87970-0001</p>	<p>DOCUMENT NO.                  SD-87970-001</p>	<p>SHEET NO.                  2 OF 4</p>																

9 8 7 6 5 4 3 2 1



RECOMMENDED PCB LAYOUT

SEE SHEET 1 EC NO: S2006-0480 DRWN:YKOH 2005/11/10 CHKD:SHONG 2005/11/10 APPR:KCLING 2005/11/11	DESCRIPTION REV	QUALITY SYMBOLS	GENERAL TOLERANCES (UNLESS SPECIFIED)	DIMENSION STYLE	SCALE	DESIGN UNITS	THIRD ANGLE PROJECTION
		$\nabla=0$ $\nabla C=0$	mm    INCH 4 PLACES ± --- ± --- 3 PLACES ± --- ± --- 2 PLACES ± 0.20 ± --- 1 PLACE ± --- ± --- ANGULAR ± 3 °	MM ONLY	NTS	METRIC	☉    ▽    □ THIRD ANGLE PROJECTION
			DRAWN BY: DKOH    DATE: 2004/12/03 CHECKED BY: KCLING    DATE: 2005/01/13 APPROVED BY: SKTOH    DATE: 2005/01/14	TITLE	SERIAL ATTACH SCSI VERT. STAGGERED T/H STANDARD HEIGHT		
		MATERIAL NO. 87970-0001	DOCUMENT NO. SD-87970-001	SHEET NO. 3 OF 4			



SEE SHEET 1 EC NO: S2006-0480 DRWN:YKOH CHKD:SHONG APPR:KCLING	2005/11/10 2005/11/10 2005/11/11	DESCRIPTION REV	QUALITY SYMBOLS ▽=0 ◻=0	GENERAL TOLERANCES (UNLESS SPECIFIED) <table border="1"> <thead> <tr> <th></th> <th>mm</th> <th>INCH</th> </tr> </thead> <tbody> <tr> <td>4 PLACES</td> <td>± ---</td> <td>± ---</td> </tr> <tr> <td>3 PLACES</td> <td>± ---</td> <td>± ---</td> </tr> <tr> <td>2 PLACES</td> <td>± 0.20</td> <td>± ---</td> </tr> <tr> <td>1 PLACE</td> <td>± ---</td> <td>± ---</td> </tr> </tbody> </table> ANGULAR ± 3 °		mm	INCH	4 PLACES	± ---	± ---	3 PLACES	± ---	± ---	2 PLACES	± 0.20	± ---	1 PLACE	± ---	± ---	DIMENSION STYLE MM ONLY DRAWN BY: DKOH CHECKED BY: KCLING APPROVED BY: SKTOH MATERIAL NO.: 87970-0001	DATE: 2004/12/03 DATE: 2005/01/13 DATE: 2005/01/14	SCALE: NTS DESIGN UNITS: METRIC THIRD ANGLE PROJECTION	TITLE: SERIAL ATTACH SCSI VERT. STAGGERED T/H STANDARD HEIGHT MOLEX INCORPORATED DOCUMENT NO.: SD-87970-001	SHEET NO.: 4 OF 4
		mm	INCH																					
	4 PLACES	± ---	± ---																					
	3 PLACES	± ---	± ---																					
2 PLACES	± 0.20	± ---																						
1 PLACE	± ---	± ---																						
DRAFT WHERE APPLICABLE MUST REMAIN WITHIN DIMENSIONS				SIZE: A3	THIS DRAWING CONTAINS INFORMATION THAT IS PROPRIETARY TO MOLEX INCORPORATED AND SHOULD NOT BE USED WITHOUT WRITTEN PERMISSION																			
A1																								