

## DESCRIPTION

INDICATOR for:

- PROCESS ( $\pm 10V$ ,  $\pm 20mA$ )
- VOLTIOS DC ( $\pm(200.0V$  y  $20.00V)$ )
- AMPERES DC (external shunt)
- mV ( $\pm 100mV$ )

### 48 x 24 mm frontal

Fully programmable panel meter for **volts, mA and mV DC** measurement.  
 -1999 ÷ 9999 display range and configurable decimal point.  
 Controlled by three keys situated on the bottom of the frontal display.



## TECHNICAL SPECIFICATIONS

INPUT	VOLTAGE				CURRENT
	<b>200</b>	<b>20</b>	<b>-U-</b>	<b>-mV-</b>	<b>-A-</b>
Range	$\pm 200V$	$\pm 20V$	$\pm 10V$	$\pm 100mV$	$\pm 20mA$
Resolution	0.1V	0.01V	1mV	0.1mV	0.01mA

### INPUT IMPEDANCE

Volts	1M $\Omega$
mV	100M $\Omega$
mA	20 $\Omega$

### ACCURACY at 23°C $\pm 5^\circ C$

Maximum error	$\pm(0.1\% \text{ rdg} + 3 \text{ digits})$
Temperature coefficient	100 ppm/ $^\circ C$
Warm-up time	5 minutes

### POWER SUPPLY AND FUSES (DIN 41661, not included)

**PICA-P:** 85-265V AC 50/60Hz and 100-300V DC F 0.1A/ 250V  
**PICA-P6:** 21-53V AC 50/60Hz and 10.5-70V DC .. F 0.5A/ 250V  
 Power consumption ..... 1.8W

### CONVERSION

Technique	Sigma-Delta
Resolution	$\pm 15$ bits
Conversion rate	20/s

### DISPLAY

Range	-1999 ÷ 9999
Type	4 red digits 10mm
Display refresh rate	4/s
Display/input overrange indication	<i>OL</i>

### ENVIRONMENTAL CONDITIONS

Operating temperature	-10 $^\circ C$ ÷ +60 $^\circ C$
Storage temperature	-25 $^\circ C$ ÷ +85 $^\circ C$
Relative humidity (non condensing)	<95% @ 40 $^\circ C$
Maximum altitude	2000m
Frontal protection degree	IP65

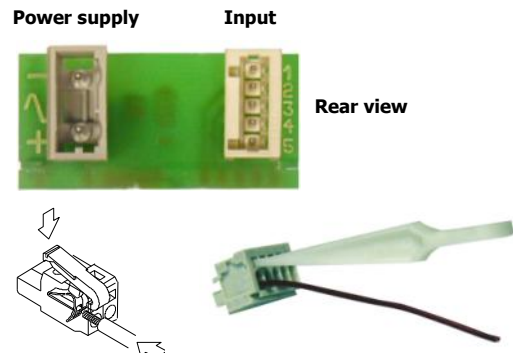
## PROGRAMMING

Display range: Input	<b>-U-</b>	$\pm 10V$	<b>-A-</b>	$\pm 20mA$ .....	-1999 ÷ 9999
Display range: Input	<b>-mV-</b>	$\pm(50/60/100mV)$ .....			- 1999 ÷ 9999
Display range: Input	<b>200</b>	V DC calibrated range .....			-199.9 ÷ 199.9
Display range: Input	<b>20</b>	V DC calibrated range .....			-19.99 ÷ 19.99



Keys detail (bottom view)

## CONNECTIONS

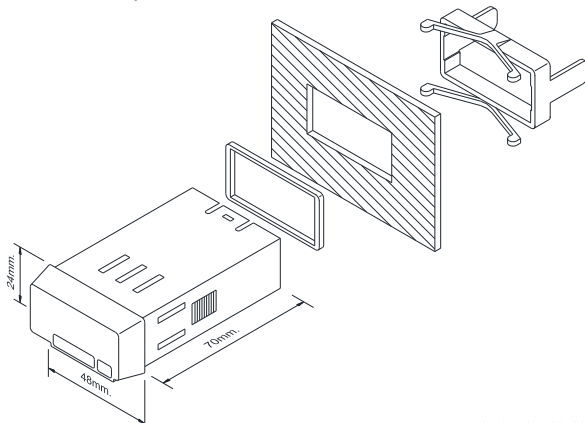


CN1	POWER SUPPLY	
	AC VERSION	DC VERSION
PIN		
1	AC LO	-V DC
2	AC HI	+V DC
CN2	SIGNAL INPUT	
1	-IN (COMMON)	
2	+(50 / 60 / 100)mV DC	
3	+20mA	
4	+(10 / 20)V DC	
5	+200V	

## DIMENSIONS AND MOUNTING

Dimensions	48 x 24 x 70 mm
Panel cutout	45 x 22 mm
Weight	60g
Case material	Polycarbonate s/ UL 94 V-0

Instruments include a sealing gasket and a fixing clip for frontal and rear panel installation.



## ORDERING CODES

**PICA-P:** .....85-265V AC 50/60Hz and 100-300V DC  
**PICA-P6:** ..... 21-53V AC 50/60Hz and 10.5-70V DC