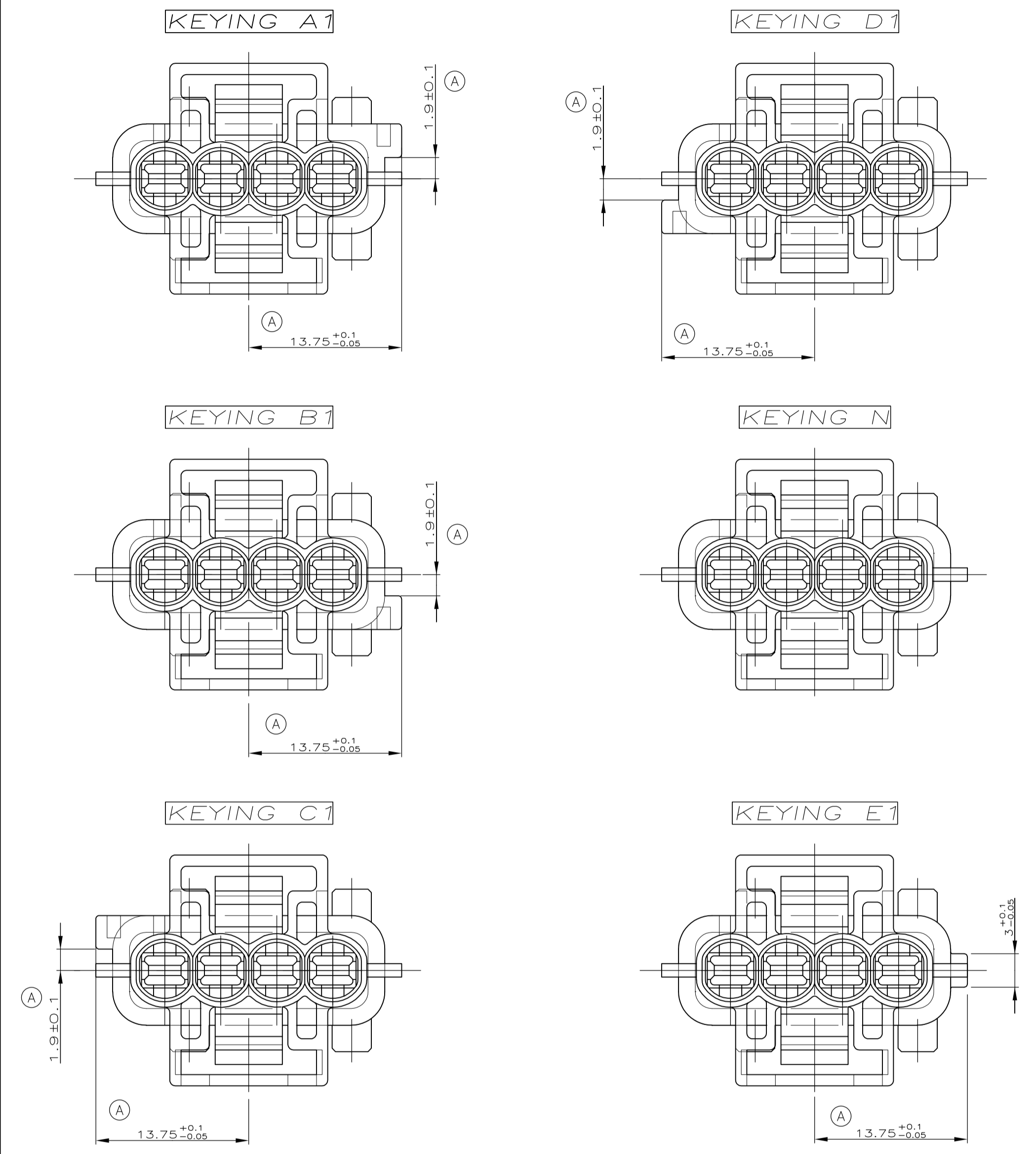
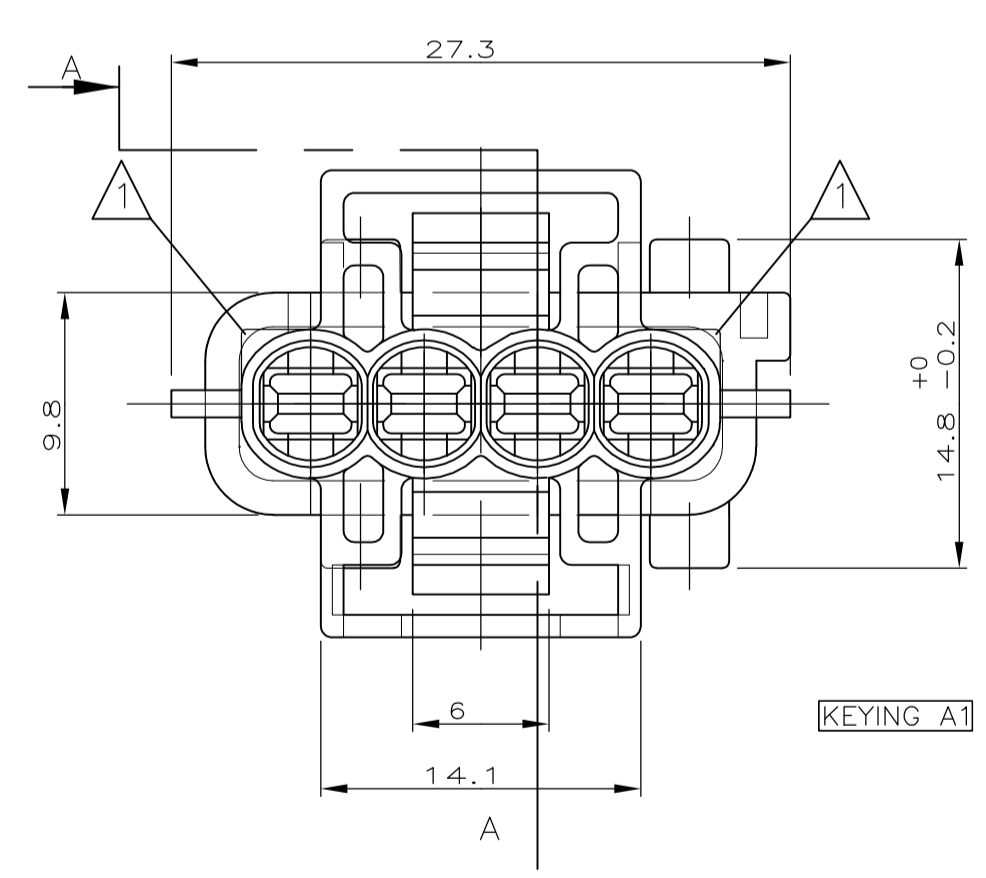
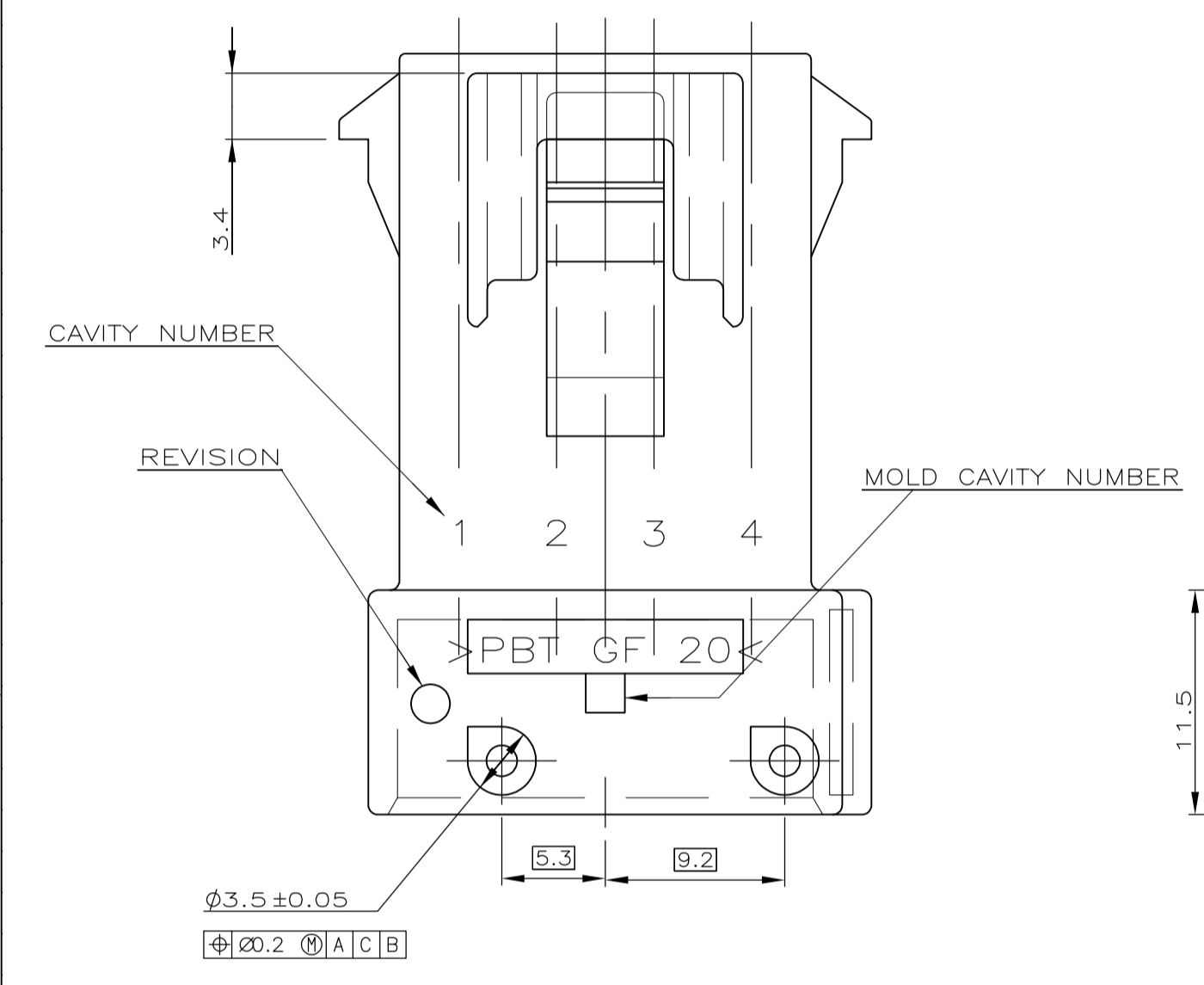
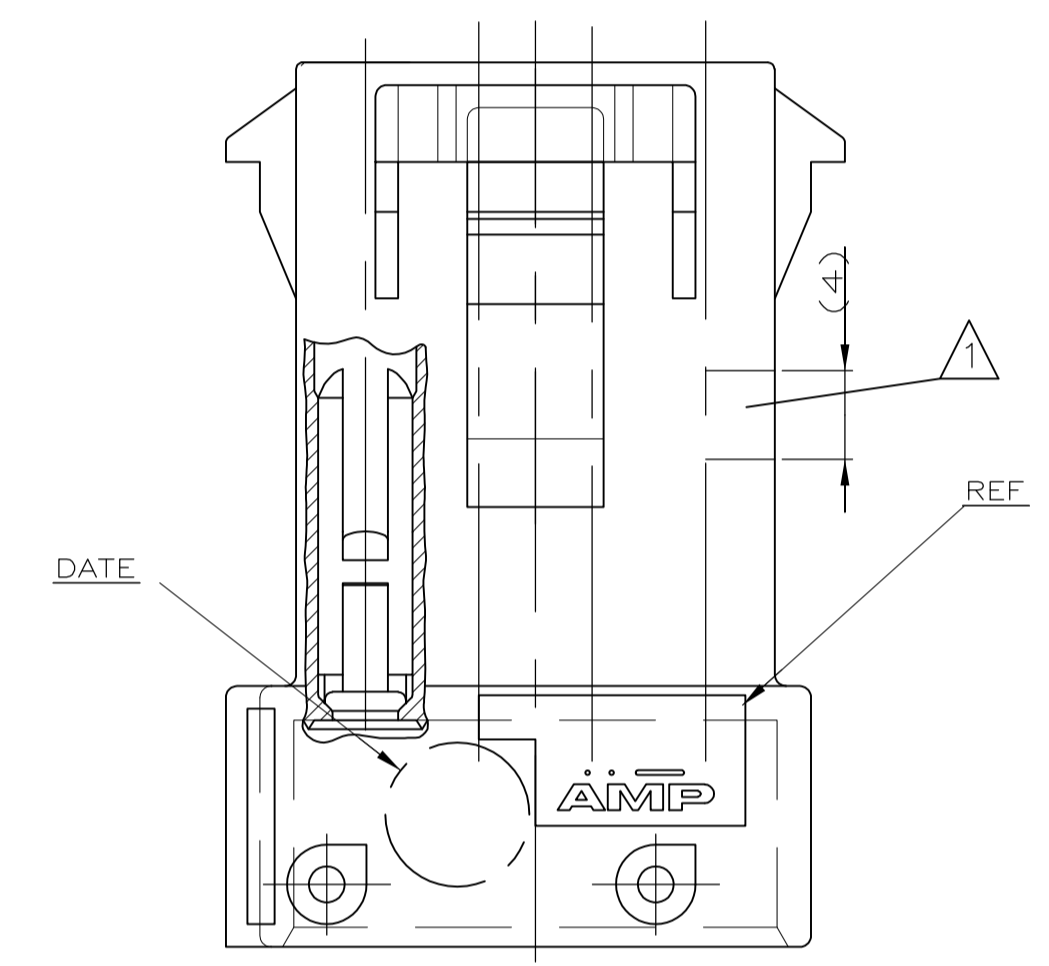
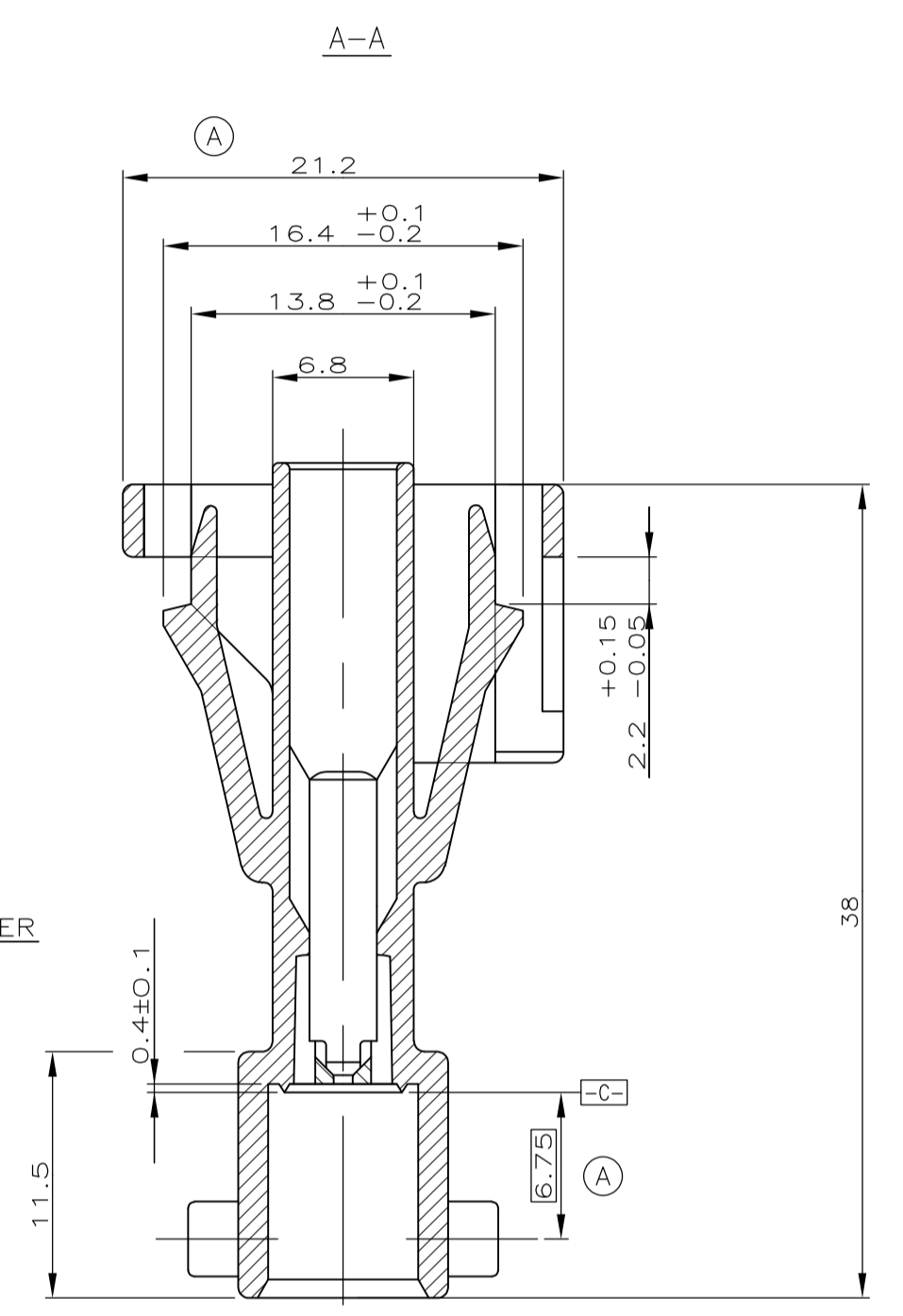
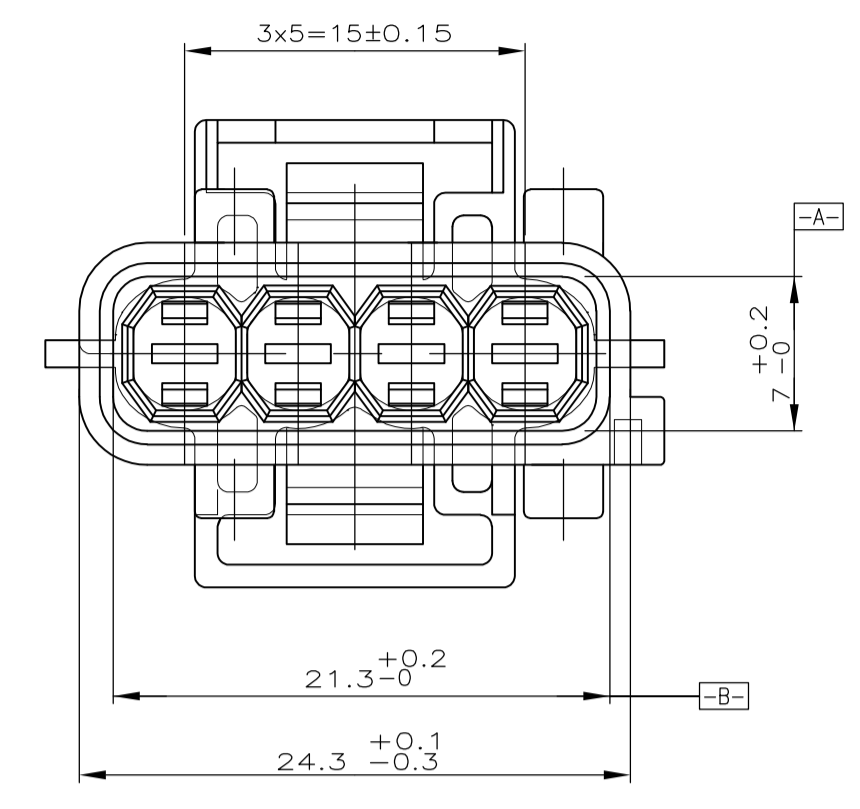


NOTES

(B) (D) \triangle - "OPTIONAL" DEPENDING ON THE MOLD CAVITY NUMBER, THIS SHAPE COULD BE IN ONE OF THE 2 POSITIONS.
 - "OPTIONNEL" CETTE FORME PEUT SE TROUVER DANS UNE DES 2 POSITIONS SELON LE No D'EMPREINTE



REVISIONS					
P	LTR	DESCRIPTION	DATE	DMN	APVD
A	REV	KEYING DIMENSION	19DEC94	JLQ	---
B	---	ADDED NOTE \triangle	DEC-96	JL	---
C	---	ENGLISH TRANSLATION	18-MAR-98	---	---
D	---	UPDATED NOTE \triangle	12MAY16	KCD	SA

KEYING	Qty	DESCRIPTION	MATERIAL	COLOR
185001-6 KEYING E1	1	SEALED TAB HOUSING 4 POS. J.P.T.	PBT 20% GF	GREEN
185001-5 KEYING N	1	SEALED TAB HOUSING 4 POS. J.P.T.	PBT 20% GF	WHITE
185001-4 KEYING D1	1	SEALED TAB HOUSING 4 POS. J.P.T.	PBT 20% GF	BROWN
185001-3 KEYING C1	1	SEALED TAB HOUSING 4 POS. J.P.T.	PBT 20% GF	BLUE
185001-2 KEYING B1	1	SEALED TAB HOUSING 4 POS. J.P.T.	PBT 20% GF	GREY
185001-1 KEYING A1	1	SEALED TAB HOUSING 4 POS. J.P.T.	PBT 20% GF	BLACK
REFERENCE TE	Qty	DESCRIPTION	MATERIAL	COLOR

THIS DRAWING IS A CONTROLLED DOCUMENT. CE SCHEMA EST UN DOCUMENT CONTROLÉ.

TOLERANCES UNLESS OTHERWISE SPECIFIED: TOLERANCES NON SPECIFIEES SUIV NB DE DECIMALES

1- PLE/DEC ± 0.3
 2- PLE/DEC ± 0.1
 3- PLE/DEC ± 0.05
 4- PLE/DEC ± 0.025

ANGLES: ± 5°

FINISH: -

WEIGHT: 4.8g

UNIFORMITY: 100%

SCALE: 3:1

DIN/DESSINE: 26-JUL-94
 I. CORRIEU
 CHK/VERIFIE: 08-APR-98
 J. LAJANGIE
 APVD/APPROUVE: 08-APR-98
 J. LEVILL
 MME: TITRE
 PRODUCT SPEC: 108-15103
 SPC. PROCDIT: APPLICATION SPEC. SPC. APPLICATION

STE TE Connectivity

SEALED TAB HOUSING 4 WAYS J.P.T.

SIZE: A1
 CASE CODE: 00779
 DRAWING NO: 185001

RESTRICTED TO RESERVE A

CUSTOMER DRAWING/PLAN CLIENT UNIFORMITE POUR REFERENCE ECHELLE: 3:1 SHEET OF FEUILLE 1 DE 1 REV D