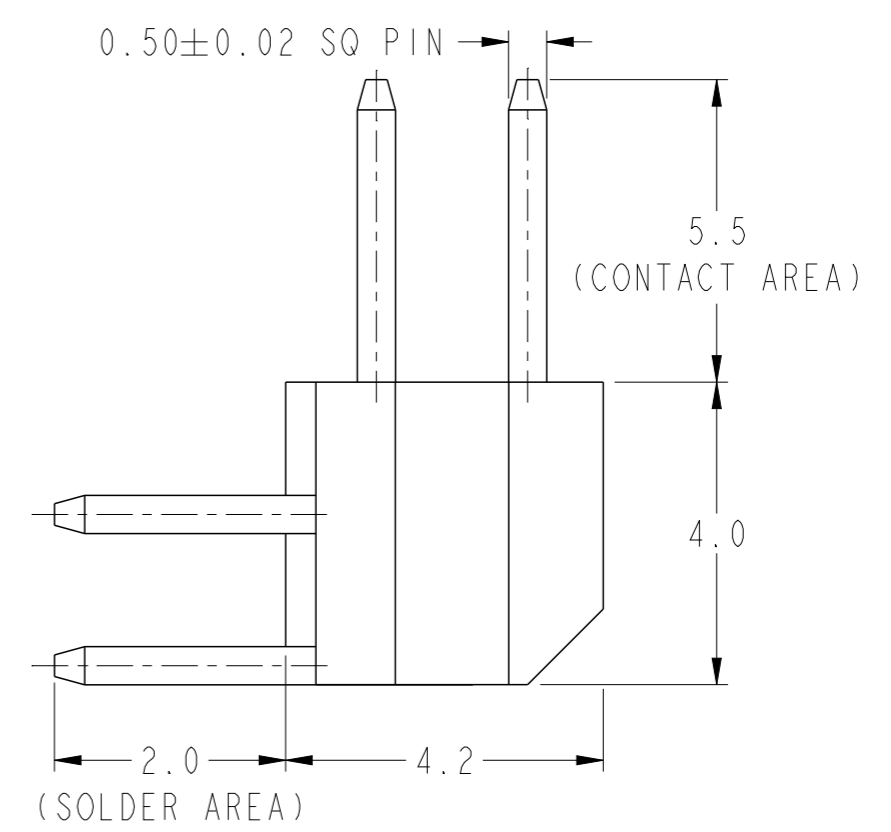


SCALE 5:1



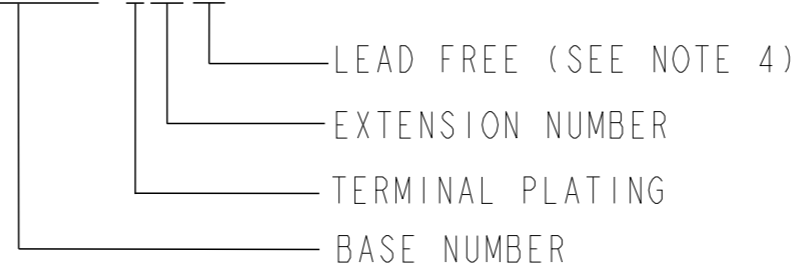
Copyright FCI.

spec ref	-	dr	Guo-Min Sun	2013/02/19	projection	MM	size	A3	scale	10:1
tolerance std	ISO 406 ISO 1101	eng	Guo-Min Sun	2013/12/25			ecn no	ELX-N-16576-1		
surface	✓	chr	-	appr			Rick Bian	2013/12/25	product family	-
		linear	0.X	±0.50		title MINITEK II R/A HEADER	dwg no 10123312	rev C		
			0.XX	±0.25						
		angular	0°	±3°						
ISO 1302		www.fci.com	cat. no.	-	Product - Customer Drw	sheet 1 of 2				

PRODUCT NO	POS	DIM X	DIM Y
10123312-X04	2 X 2	2	4
X06	2 X 3	4	6
X08	2 X 4	6	8
X10	2 X 5	8	10
X12	2 X 6	10	12
X14	2 X 7	12	14
X16	2 X 8	14	16
X18	2 X 9	16	18
X20	2 X 10	18	20
X22	2 X 11	20	22
X24	2 X 12	22	24
X26	2 X 13	24	26
X28	2 X 14	26	28
X30	2 X 15	28	30
X32	2 X 16	30	32
X34	2 X 17	32	34
X36	2 X 18	34	36
X38	2 X 19	36	38
X40	2 X 20	38	40
X42	2 X 21	40	42
X44	2 X 22	42	44
X46	2 X 23	44	46
X48	2 X 24	46	48
X50	2 X 25	48	50

PRODUCT DESCRIPTION CODE :

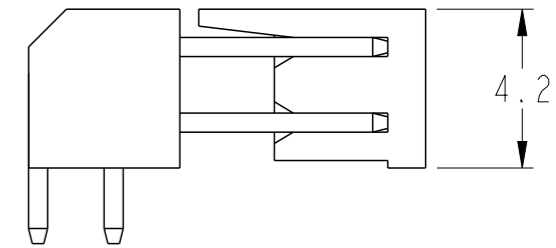
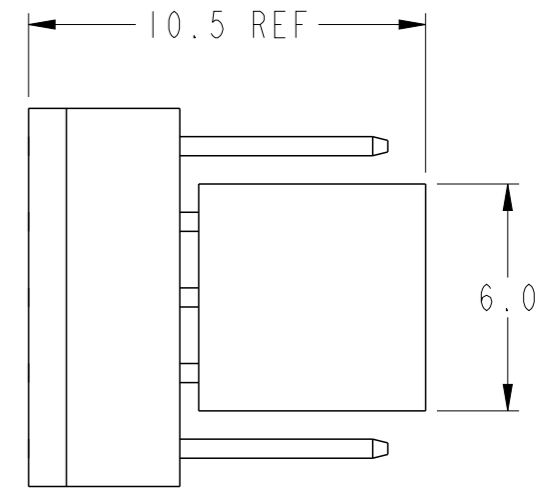
XXXXXXXX-XXXLF



PLATING	CONTACT AREA	SOLDER AREA
0	0.20um Au OVER Ni	2.54um MATTE Sn
1	0.76um Au OVER Ni	2.54um MATTE Sn
3	0.38um Au OVER Ni	2.54um MATTE Sn
5	0.38um GXT OVER Ni	2.54um MATTE Sn
6	0.76um GXT OVER Ni	2.54um MATTE Sn

NOTES:

- MATERIAL:
BODY : HIGH TEMPERATURE PLASTIC UL 94V-0 BLACK
PIN : COPPER ALLOY
- TOLERANCE UNLESS OTHERWISE NOTED ± 0.25
- STAND-OFF DESIGN FOR 2X2 POS. REFERS TO FIG. 1.
- P/N:10123312-XXXLF IS SAME AS P/N:10123312-XXX. THE SUFFIX 'LF' IS ADDED JUST FOR EASY LEAD FREE IDENTIFICATION
- 10123312-XXXLF: STANDARD PACKAGING USED BAG.
10123312-XXXTRLF: PACKAGING USED TAPE AND REEL WITH CAP.
- THE HOUSING WILL WITHSTAND EXPOSURE TO 255°C PEAK TEMPERATURE FOR 10 SECONDS IN A CONVECTION, INFRA-RED OR VAPOR PHASE REFLOW OVEN.
- THE HOUSING WILL WITHSTAND EXPOSURE TO 260°C PEAK TEMPERATURE FOR 10 SECONDS IN A WAVE SOLDER APPLICATION WITH A 1.57MM MINIMUM THICK CIRCUIT BOARD.
- THIS PRODUCT MEETS EUROPEAN UNION DIRECTIVES AND OTHER COUNTRY REGULATIONS AS DESCRIBED IN GS-22-008.



WITH PLASTIC CAP

Copyright FCI.

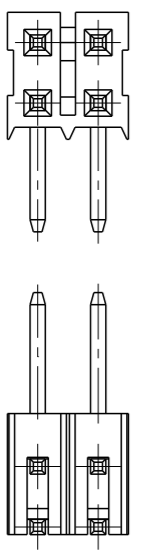
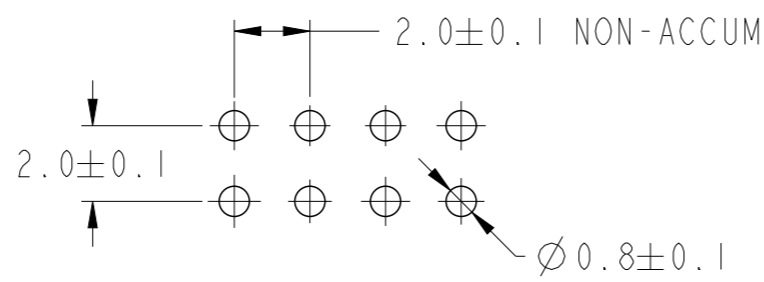


FIG. 1

SEE NOTE 3



RECOMMENDED HOLE LAYOUT
SCALE 5:1

dr	Guo-Min Sun	2013/02/19	projection	MM	size	A3	scale	9:1
eng	Guo-Min Sun	2013/12/25			ecn no		ELX-N-16576-1	
chr	-	-			rel level		Released	
appr	Rick Bian	2013/12/25	product family		-		rev	
			MINITEK II R/A HEADER			dwg no		10123312
www.fci.com			cat. no.		-		Product - Customer Drw	
							sheet 2 of 2	