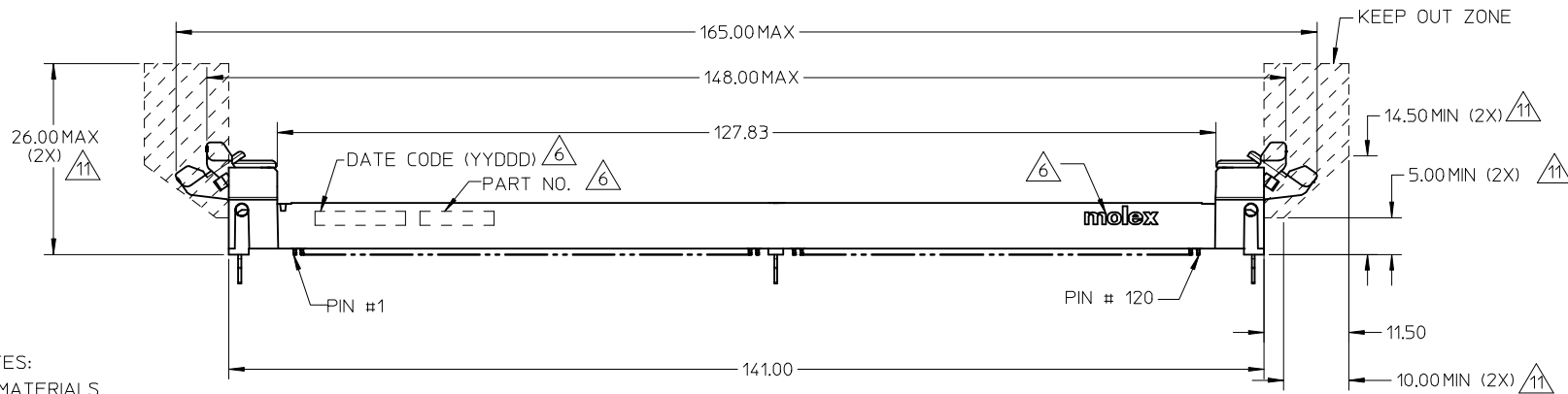


SECTION A-A

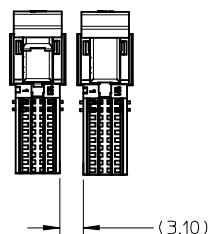
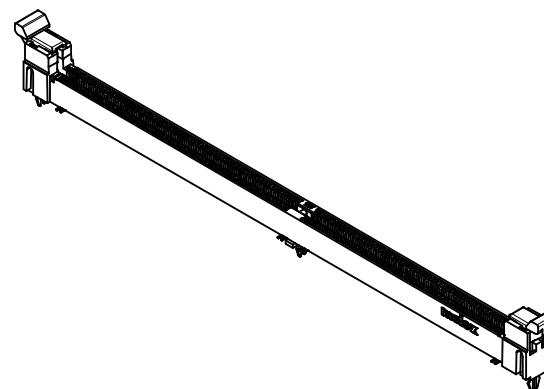
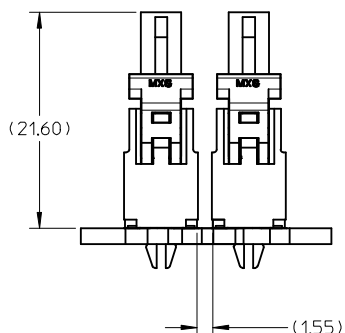
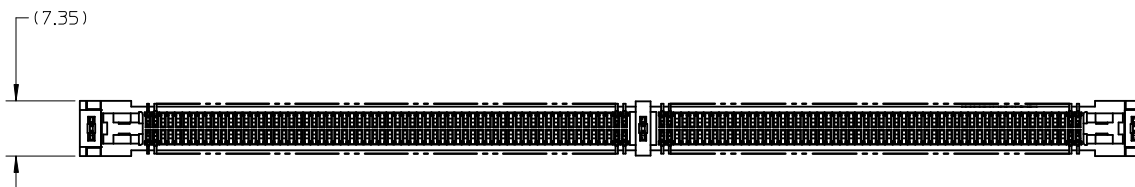


- NOTES:
- MATERIALS
HOUSING - LCP, GLASS FILLED, UL 94V-0. BLACK
EJECTORS - HIGH TEMP. NYLON GLASS FILLED, UL 94 V-0,
COLOUR - PLS REFER TO SHEET 2.
TERMINALS - COPPER ALLOY
 - PLATING OPTION - PLS REFER TO SHEET 2.
 - CARD SLOT ACCEPTS 1.27±0.10MM MODULE THICKNESS. (MEASURED OVER PC PADS)
 - RECOMMENDED MODULE LAYOUT SHALL BE AS PER JEDEC M0-237. PLS REFER TO SHEET 3.
 - PRODUCT IS PACKED INTO TRAYS. PLS REFER TO SHEET 5
 - MOLEX LOGO, DATE CODE & PART NO. INDICATED ON HOUSING.
 - DIMM MODULE SEATING PLANE FROM TOP OF PCB.
 - COPLANARITY OF SOLDER TAILS SHALL NOT EXCEED 0.20MM.
 - REFER YO PRODUCT SPEC. PS-78125-001 FOR PERFORMANCE SPECIFICATIONS.
 - THE KEEP OUT AREA IS THE AREA WHERE THE CONNECTOR IS MOUNTED ONTO THE PCB, WHICH DOES NOT INCLUDE THE LATCH.
 - KEEP OUT ZONE AS PER JEDEC SO-001.
 - CONTACT MOLEX FOR AVAILABILITY OF PRODUCT OPTIONS.

ADD NEW OPTION EC NO: S2009-0166 DRWN:CMTEO 2008/09/05 CHKD:CGTAN 2008/09/05 APPR:SHLENI 2008/09/05	QUALITY SYMBOLS ▽=0 ◻=0	GENERAL TOLERANCES (UNLESS SPECIFIED)		DIMENSION STYLE MM ONLY		SCALE NTS	DESIGN UNITS METRIC	THIRD ANGLE PROJECTION		
			mm	INCH	DRAWN BY CMTEO	DATE 2006/08/07	TITLE DDR2 DIMM, 100MM PITCH 240 CKTS, VLP LATCH, SMT			
		4 PLACES	± ---	± ---	CHECKED BY SHLENI	DATE 2006/08/14	MOLEX INCORPORATED DOCUMENT NO. SD-78125-001 SHEET NO. 1 OF 5			
		3 PLACES	± ---	± ---	APPROVED BY GGLEE	DATE 2006/08/14				
2 PLACES	± 0.2	± ---	DRAFT WHERE APPLICABLE MUST REMAIN WITHIN DIMENSIONS		SEE TABLE					
1 PLACE	± ---	± ---	MATERIAL NO.		SIZE A3		THIS DRAWING CONTAINS INFORMATION THAT IS PROPRIETARY TO MOLEX INCORPORATED AND SHOULD NOT BE USED WITHOUT WRITTEN PERMISSION			
ANGULAR ± 1 °										

10 9 8 7 6 5 4 3 2 1

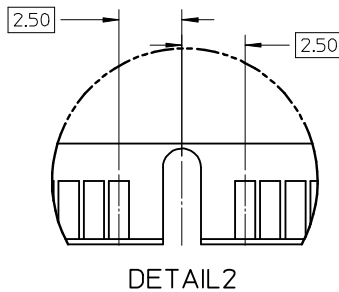
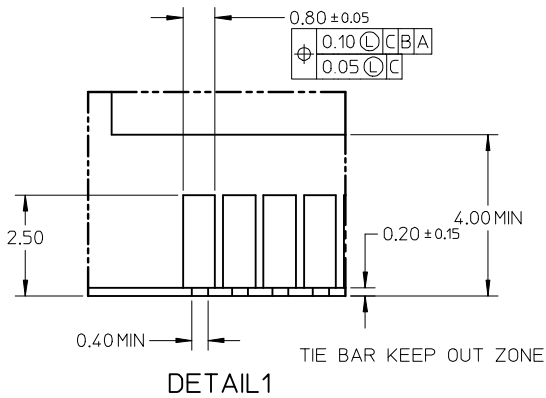
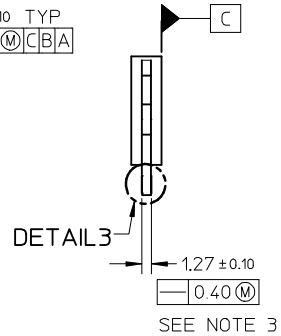
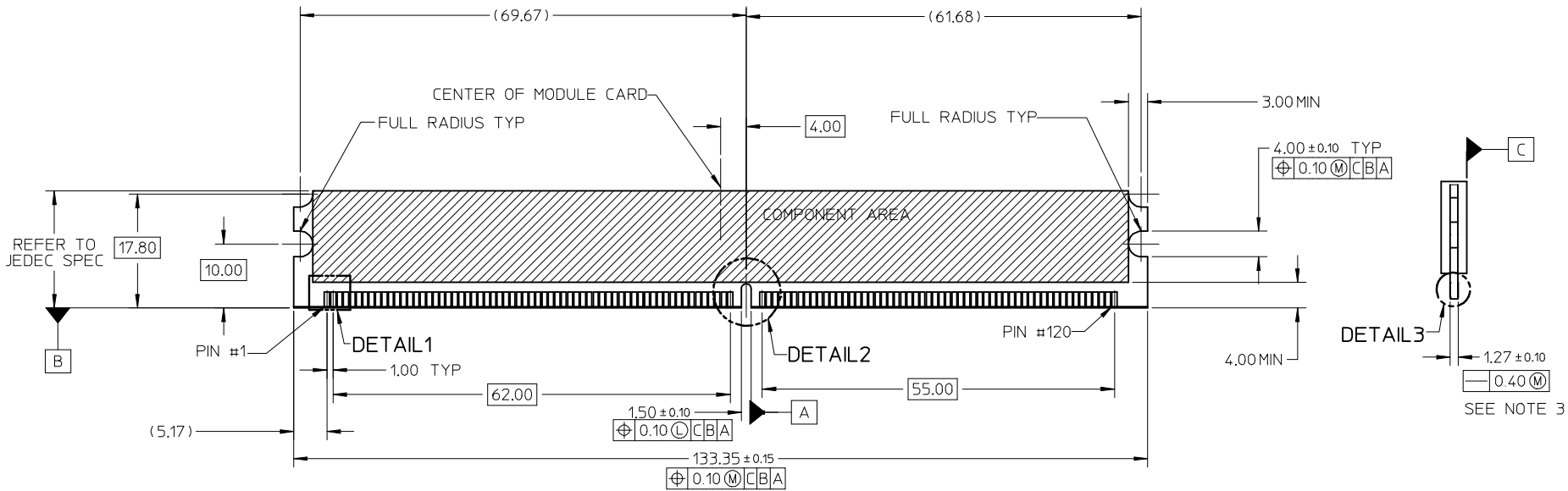
ASSEMBLY PART NO.	VOLTAGE KEY POS.	DIM X	PCB THICKNESS DIM Y	PLATING	LATCH COLOR
78125-0001	CENTRE 1.8V	3.94	1.57	0.76µM (30µ IN) MIN. GOLD ON CONTACT 2.54µM (100µ IN) MIN. TIN ON SOLDER TAILS 1.27µM (50µ IN) MIN. NICKEL UNDERPLATE	BLACK
78125-0008		4.42	2.50		



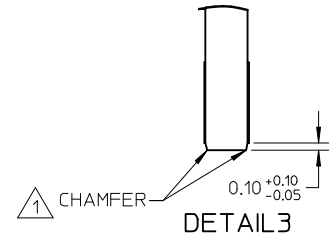
ADD NEW OPTION EC NO: S2009-0166 2008/09/05 DRWN:CMTEO 2008/09/05 CHKD:CGTAN 2008/09/05 APPR:SHLENI 2008/09/05	DESCRIPTION REV	QUALITY SYMBOLS ▽=0 ◻=0	GENERAL TOLERANCES (UNLESS SPECIFIED)		DIMENSION STYLE MM ONLY		SCALE NTS	DESIGN UNITS METRIC	THIRD ANGLE PROJECTION		
			mm	INCH	DRAWN BY	DATE	TITLE				
		4 PLACES	± ---	± ---	CMTEO	2006/08/07	DDR2 DIMM, 100MM PITCH 240 CKTS, VLP LATCH, SMT				
		3 PLACES	± ---	± ---	CHECKED BY	DATE	MOLEX INCORPORATED				
	2 PLACES	± 0.2	± ---	SHLENI	2006/08/14	DOCUMENT NO.					
	1 PLACE	± ---	± ---	APPROVED BY	DATE	SHEET NO.					
	ANGULAR ± 1 °		DRAFT WHERE APPLICABLE MUST REMAIN WITHIN DIMENSIONS		GGLEE 2006/08/14		SD-78125-001		2 OF 5		
					MATERIAL NO.		SEE TABLE		THIS DRAWING CONTAINS INFORMATION THAT IS PROPRIETARY TO MOLEX INCORPORATED AND SHOULD NOT BE USED WITHOUT WRITTEN PERMISSION		
					SIZE A3						

9 8 7 6 5 4 3 2 1

RECOMMENDED MODULE LAYOUT



KEY LOCATION	VOLTAGE
CENTER	1.8V



NOTES:
 1. MODULE CARD USED FOR TESTS ARE WITH 0.10MM CHAMFER.

ADD NEW OPTION EC NO: S2009-0166 DRWN:CMTEO 2008/09/05 CHKD:CGTAN 2008/09/05 APPR:SHLENI 2008/09/05	QUALITY SYMBOLS ▽=0 C=0	GENERAL TOLERANCES (UNLESS SPECIFIED) mm INCH 4 PLACES ± --- ± --- 3 PLACES ± --- ± --- 2 PLACES ± 0.2 ± --- 1 PLACE ± --- ± --- ANGULAR ± 1°	DIMENSION STYLE MM ONLY DRAWN BY: CMTEO DATE: 2006/08/07 CHECKED BY: SHLENI DATE: 2006/08/14 APPROVED BY: GGLEE DATE: 2006/08/14	SCALE: NTS DESIGN UNITS: METRIC THIRD ANGLE PROJECTION	TITLE: DDR2 DIMM, 100MM PITCH 240 CKTS, VLP LATCH, SMT
	DRAFT WHERE APPLICABLE MUST REMAIN WITHIN DIMENSIONS	MATERIAL NO.: SEE TABLE DOCUMENT NO.: SD-78125-001 SHEET NO.: 3 OF 5	MOLEX INCORPORATED		
	THIS DRAWING CONTAINS INFORMATION THAT IS PROPRIETARY TO MOLEX INCORPORATED AND SHOULD NOT BE USED WITHOUT WRITTEN PERMISSION				
	SIZE: A3				

10 9 8 7 6 5 4 3 2 1

F

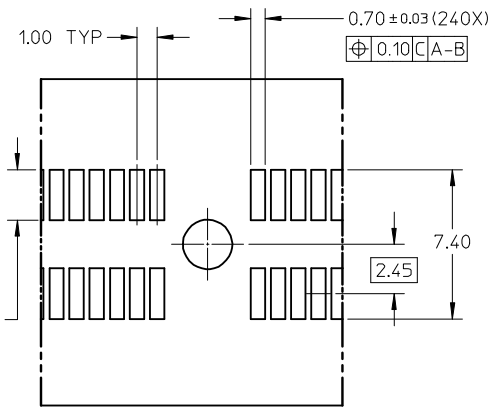
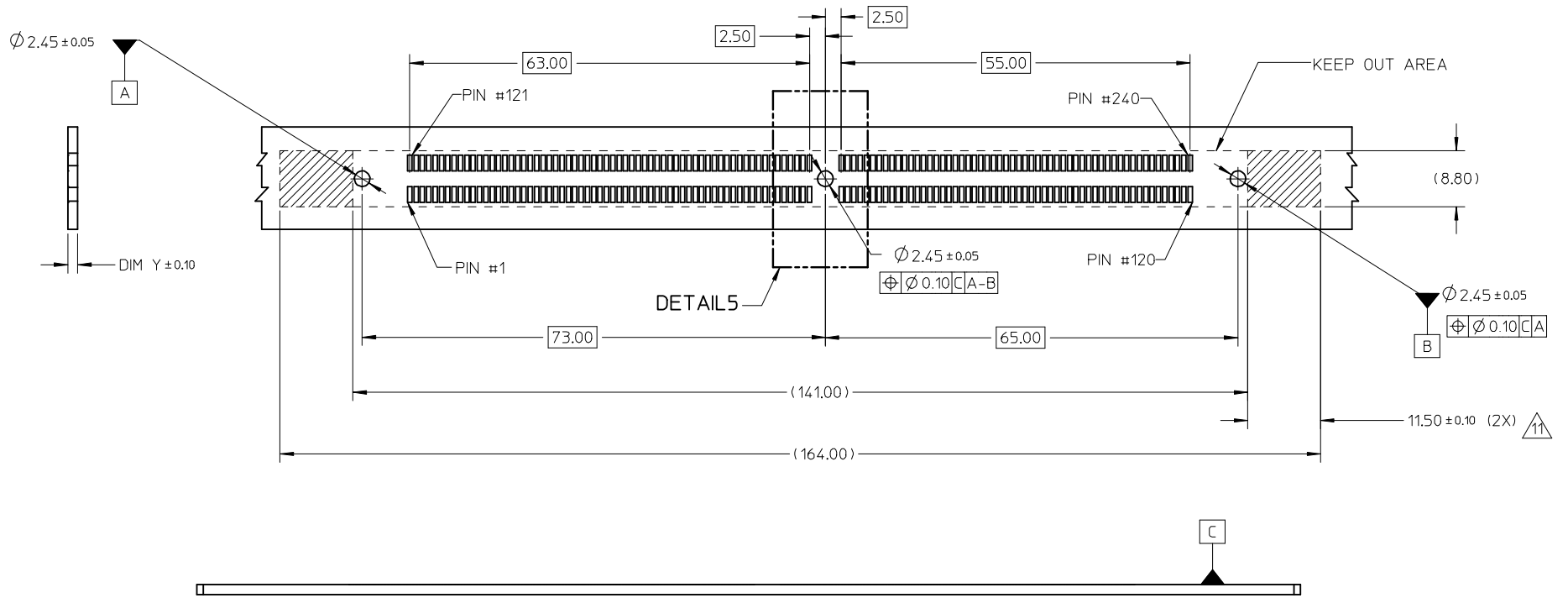
E

D

C

B

A



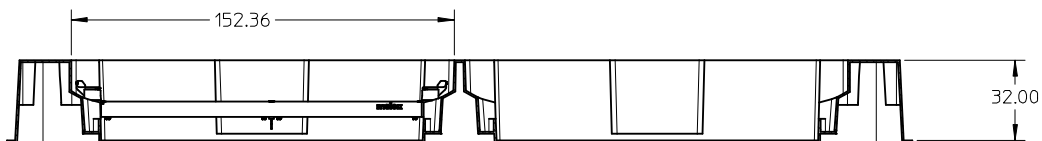
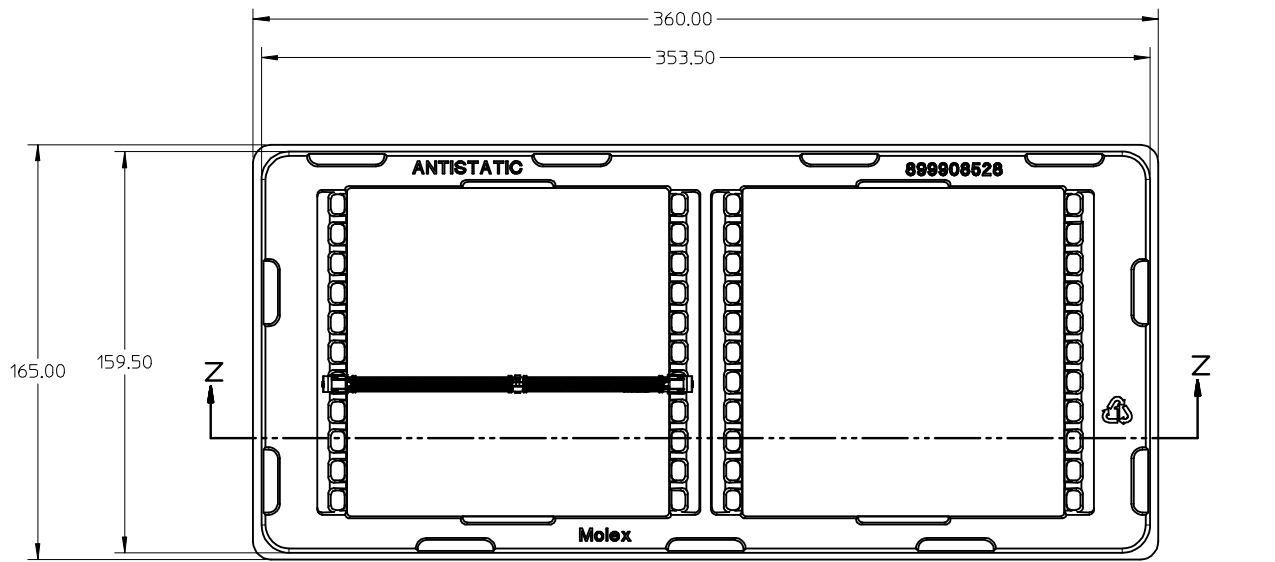
RECOMMENDED STENCIL THICKNESS = 150µM.

2.50 ± 0.03 (240X)
Ø 0.10 [C-A-B]

DETAIL 5

ADD NEW OPTION EC NO: S2009-0166 DRWN: CMTEO 2008/09/05 CHKD: CGTAN 2008/09/05 APPR: SHLENI 2008/09/05	QUALITY SYMBOLS ▽=0 ◻=0	GENERAL TOLERANCES (UNLESS SPECIFIED)		DIMENSION STYLE MM ONLY		SCALE	DESIGN UNITS	THIRD ANGLE PROJECTION			
			mm	INCH	DRAWN BY	DATE	NTS	METRIC	TITLE		
		4 PLACES	± ---	± ---	CMTEO	2006/08/07			DDR2 DIMM, 100MM PITCH		
		3 PLACES	± ---	± ---	CHECKED BY	DATE			240 CKTS, VLP LATCH, SMT		
			2 PLACES	± 0.2	± ---	SHLENI	2006/08/14	MOLEX INCORPORATED DOCUMENT NO. SD-78125-001			
			1 PLACE	± ---	± ---	APPROVED BY	DATE				SHEET NO.
			ANGULAR ± 1 °			GGLEE	2006/08/14	4 OF 5			
			DRAFT WHERE APPLICABLE MUST REMAIN WITHIN DIMENSIONS		SIZE	THIS DRAWING CONTAINS INFORMATION THAT IS PROPRIETARY TO MOLEX INCORPORATED AND SHOULD NOT BE USED WITHOUT WRITTEN PERMISSION					
B1	REV			A3							

9 8 7 6 5 4 3 2 1



SECTION Z-Z

NOTE:
1. CAVITY QTY : 2 X 11 = 22PCS

ADD NEW OPTION EC NO: S2009-0166 DRW:CMTEO 2008/09/05 CHKD:CGTAN 2008/09/05 APPR:SHLENI 2008/09/05	DESCRIPTION B1	QUALITY SYMBOLS	GENERAL TOLERANCES (UNLESS SPECIFIED)	DIMENSION STYLE	SCALE	DESIGN UNITS	THIRD ANGLE PROJECTION	
		$\nabla=0$ $\text{C}=0$	mm INCH 4 PLACES \pm --- \pm --- 3 PLACES \pm --- \pm --- 2 PLACES \pm 0.2 \pm --- 1 PLACE \pm --- \pm --- ANGULAR \pm 1 °	MM ONLY	NTS	METRIC		
			DRAFT WHERE APPLICABLE MUST REMAIN WITHIN DIMENSIONS	DRAWN BY: CMTEO CHECKED BY: SHLENI APPROVED BY: GGLEE MATERIAL NO.	DATE: 2006/08/07 DATE: 2006/08/14 DATE: 2006/08/14	TITLE: DDR2 DIMM, 100MM PITCH 240 CKTS, VLP LATCH, SMT		
				SEE TABLE	MOLEX INCORPORATED		DOCUMENT NO. SD-78125-001	SHEET NO. 5 OF 5