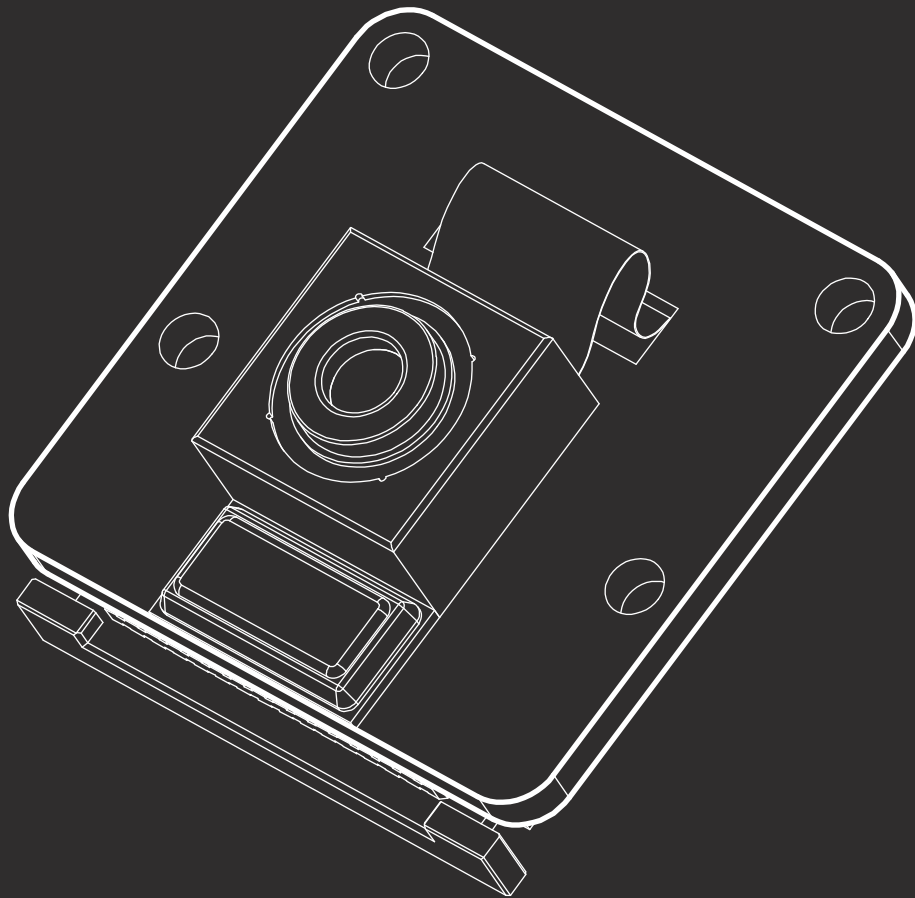


High-Resolution Autofocus Camera for Raspberry Pi



Published in September 2021
by ARDUCAM TECHNOLOGY CO., LIMITED

ArduCam
www.arducam.com



Arducam High-Resolutions Autofocus camera is an exclusive camera board that takes what Raspberry Pi V1, V2 and HQ have to offer, and excels in every single aspect.

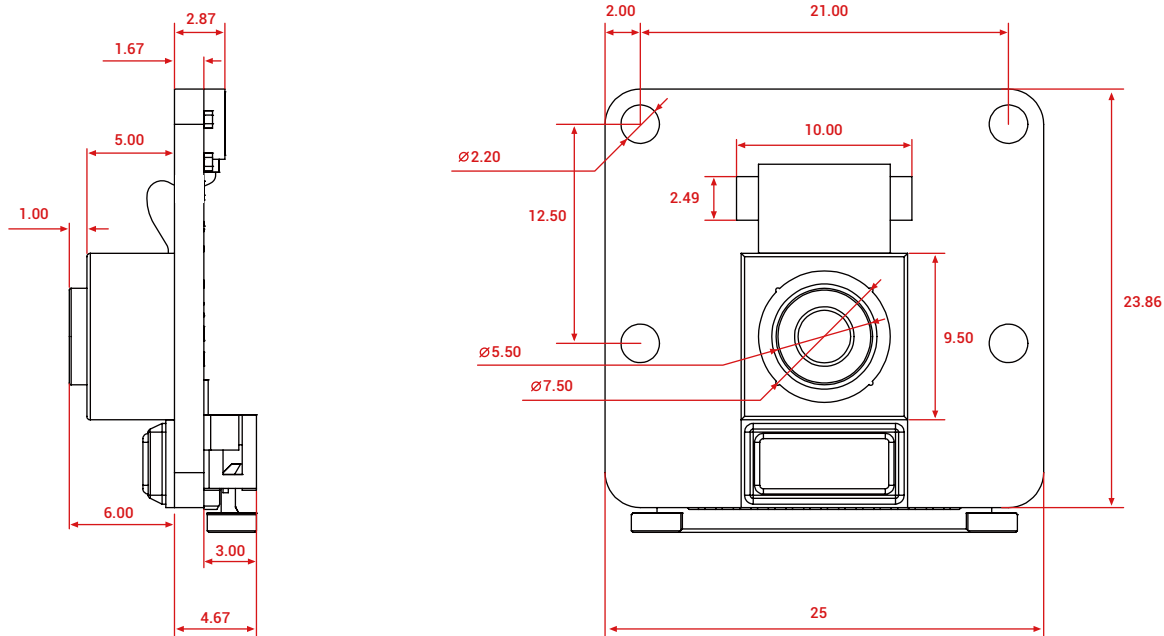
It takes zero compromise in specs. With a resolution at 16 megapixels (compared to 8MP and 12MP), an autofocus lens, a V2-like form factor and boatloads of improvements, the camera provides a better choice for a whole world of industrial/consumer/etc. applications, it's compatible with any existing Pi models, works with the latest software from the foundation, and leverages the same tuning algorithms used in the official camera modules.

The package contains a camera board with a Sony IMX519 sensor and an autofocus lens, an FPC cable, a camera enclosure which also works with the V1 and V2 board, and just like the HQ module, it has an integrated tripod mount too.

Specification & Comparison Chart

Sensor:	Sony IMX519 stacked, back-illuminated sensor 16 megapixels 1.22 μm \times 1.22 μm pixel size 7.103 mm diagonal (Type 1/2.534)
Output:	RAW10/8, COMP8
Lens:	Autofocus, f/1.75 EFL: 4.28 FoV: 80° Focus Range: 10 cm ~ infinite
IR cut filter:	Integrated
Tripod mount:	1/4"-20
Enclosure:	ABS, also compatible w/ camera module v1 & v2.
Ribbon Cable Length:	150mm

Physical specifications

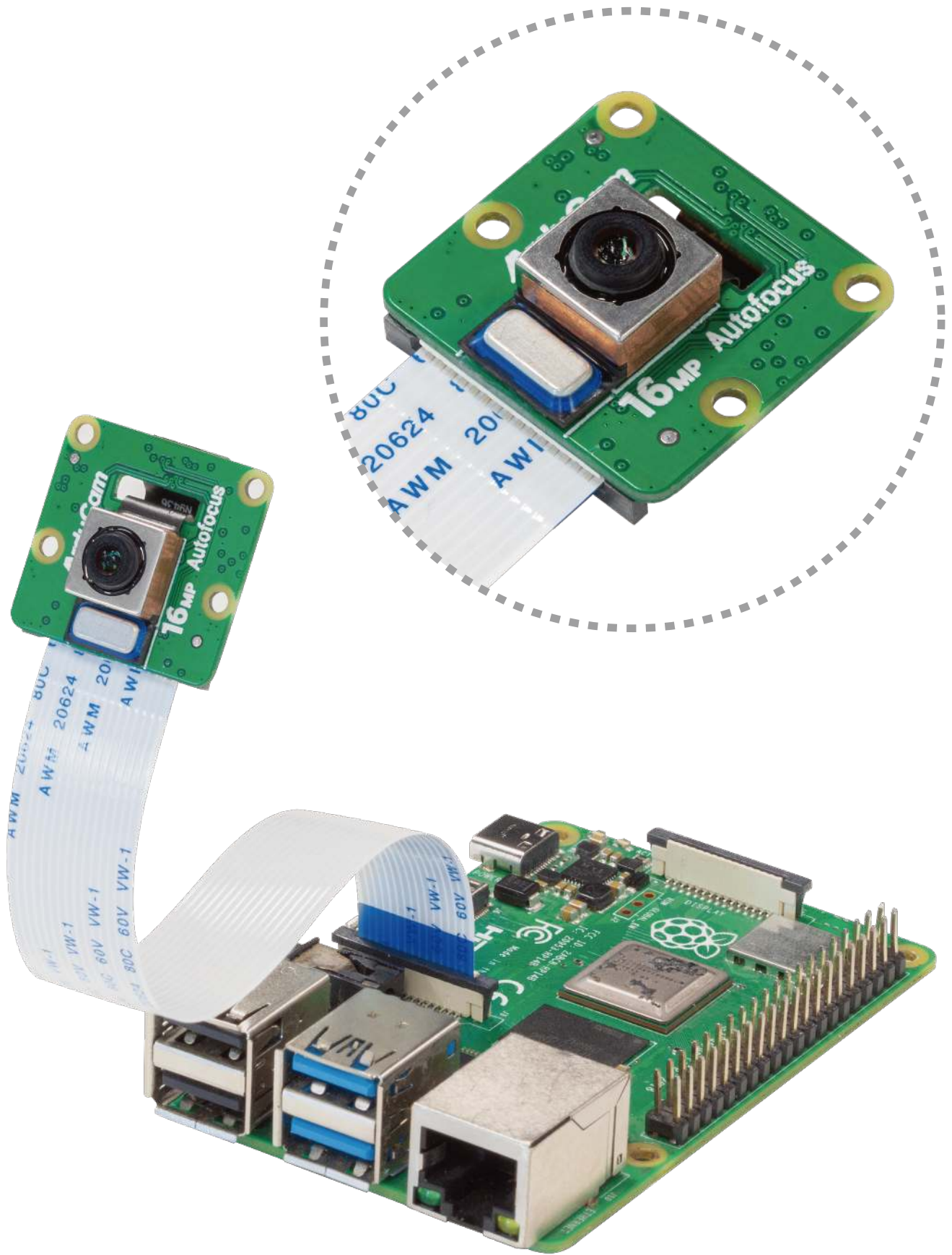


Note: all dimensions in mm

Safety instructions

First-time using a Raspberry Pi camera? Please note:

- Before connecting, you should always power the Raspberry Pi off and remove the power supply first.
- Make sure the cable on the camera board is locked in place.
- Make sure the cable is correctly inserted in the Raspberry Pi board's MIPI CSI-2 connector.
- Avoid high temperatures.
- Avoid water, moisture, or conductive surfaces while in operation.
- Avoid folding, or straining the flex cable.
- Avoid cross-threading with tripods.
- Gently push/pull the connector to avoid damaging the printed circuit board.
- Avoid moving or handling the printed circuit board excessively while it's in operation.
- Handle by the edges to avoid damages from electrostatic discharge.
- Where the camera board is stored should be cool and as dry as possible.
- Sudden temperature/humidity changes can cause dampness in the lens and affect the image/video quality.



Visit us at

www.arducam.com

Pre-Sale

sales@arducam.com

Technical Support

support@arducam.com

Tel

+1 (319) 471-7640

ARDUCAM TECHNOLOGY CO., LIMITED

MIPI DSI and MIPI CSI are service marks of MIPI Alliance, Inc
Raspberry Pi and the Raspberry Pi logo are trademarks of the Raspberry Pi Foundation
Arducam High-Resolution Autofocus Camera And Arducam logo are trademarks of
ARDUCAM TECHNOLOGY CO., LIMITED

ArduCam
www.arducam.com