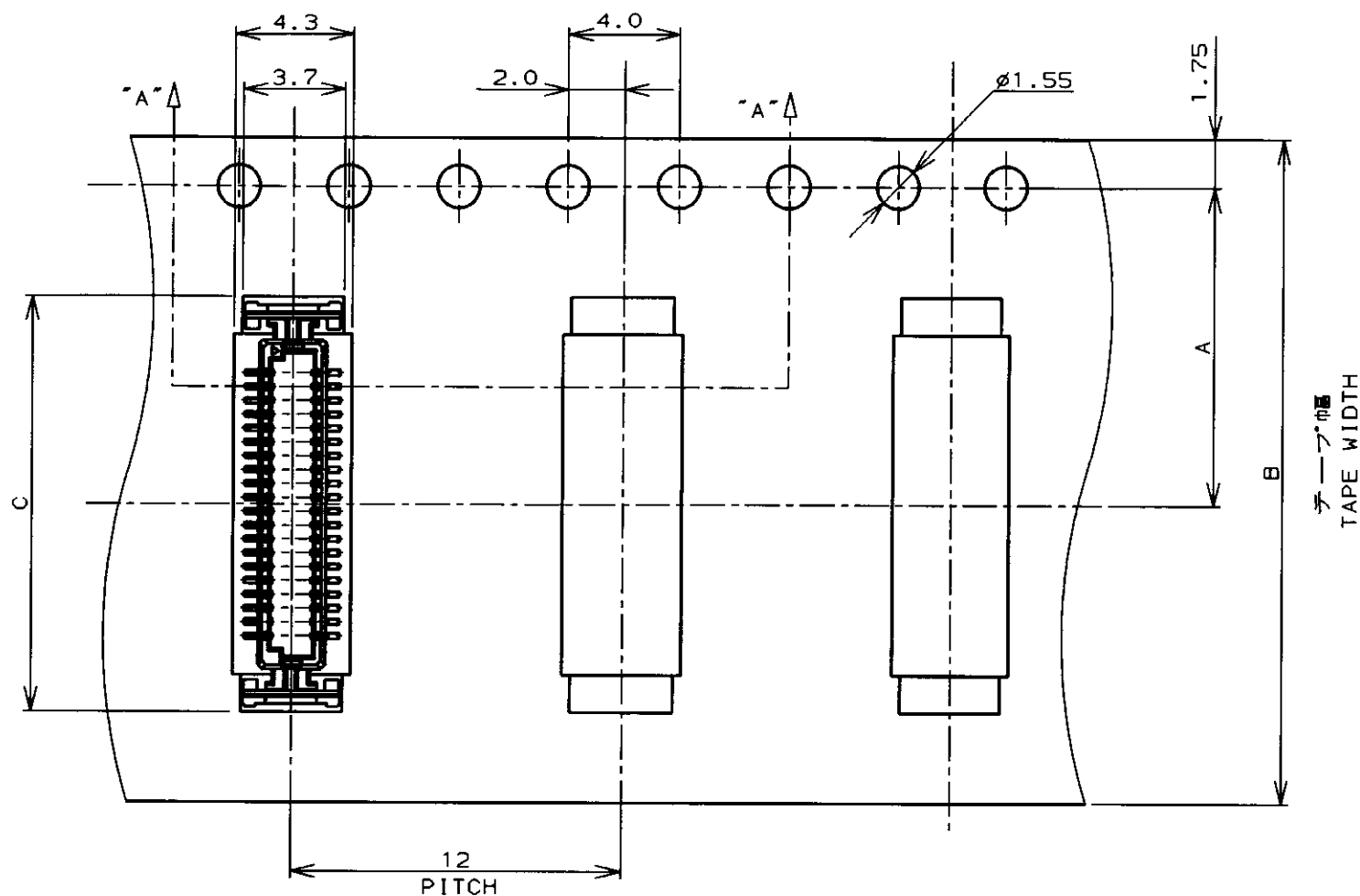
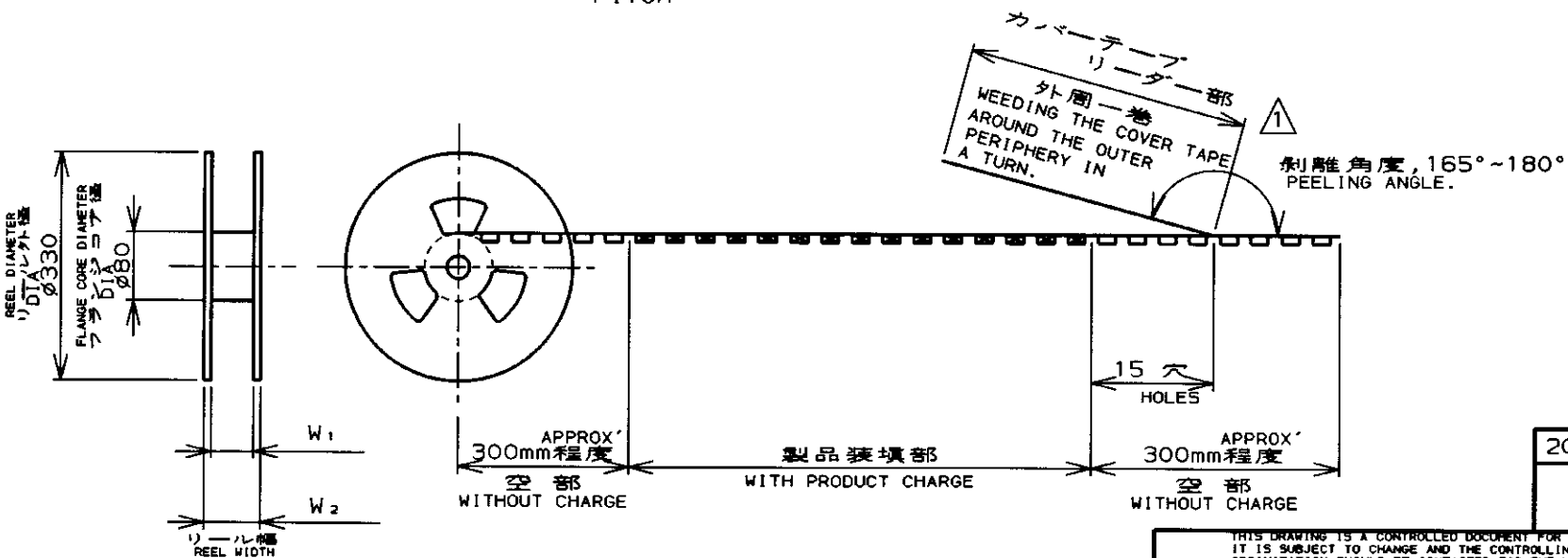


P	LTR	DESCRIPTION	ECN	DATE	DWN	APVD
	O	RELEASED	FJ00-5477-96	12/5 '96	S.K	S.K
	A	REVISED	FJ00-0116-97	1/27 '96	S.K	KA

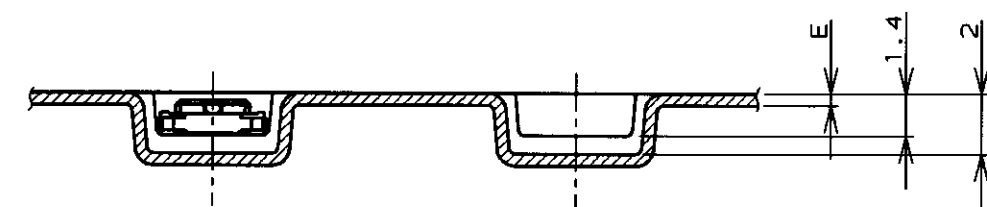


テープ幅  
TAPE WIDTH

TOP OF REEL  
引出し方向



剝離角度, 165°~180°  
PEELING ANGLE.



SECT "A"- "A"

20.4	16.4	0.4	9.7	16	7.5	1500	20	2-353688-0	2-353689-0
W2	W1	E	C	B	A	数量 (ヶ) QTY/REEL	極数 Pos.	コネクタ型番 (シバラ状) CONNECTOR P/N (L/P)	リール巻 コネクタ型番 TAPING P/M

THIS DRAWING IS A CONTROLLED DOCUMENT FOR AMP INCORPORATED. IT IS SUBJECT TO CHANGE AND THE CONTROLLING ENGINEERING ORGANIZATION SHOULD BE CONTACTED FOR THE LATEST REVISION.

DWN 12/5 '96  
S.KAJINUMA  
CHK 12/5 '96  
K.ASAKAWA  
APVD 1/27 '97  
S.KAJINUMA

**AMP** 日本エー・エム・ピー株式会社  
Kawasaki, Japan

NAME 名称  
**ON TAPING (EMBOSS)**  
0.5mm PITCH FS CONN. TAB ASSEMBLY  
WITH KEY WITHOUT BOSS & POLYIMIDE FILM

DIMENSIONS: 単位: 概 mm  
TOLERANCES UNLESS OTHERWISE SPECIFIED  
一般公差  
10% ±0.2  
30% ±0.25  
100% ±0.3  
ANGLE: ±3°

MATERIAL 材料  
FINISH 仕上

APPLICATION SPEC 取付適用規格  
WEIGHT

SIZE A3  
CAGE CODE 00779  
DRAWING NO. 番号  
C-353689

CUSTOMER DRAWING  
SCALE 尺度  
SHEET 1 OF 2 REV A

THIS DRAWING IS UNPUBLISHED.

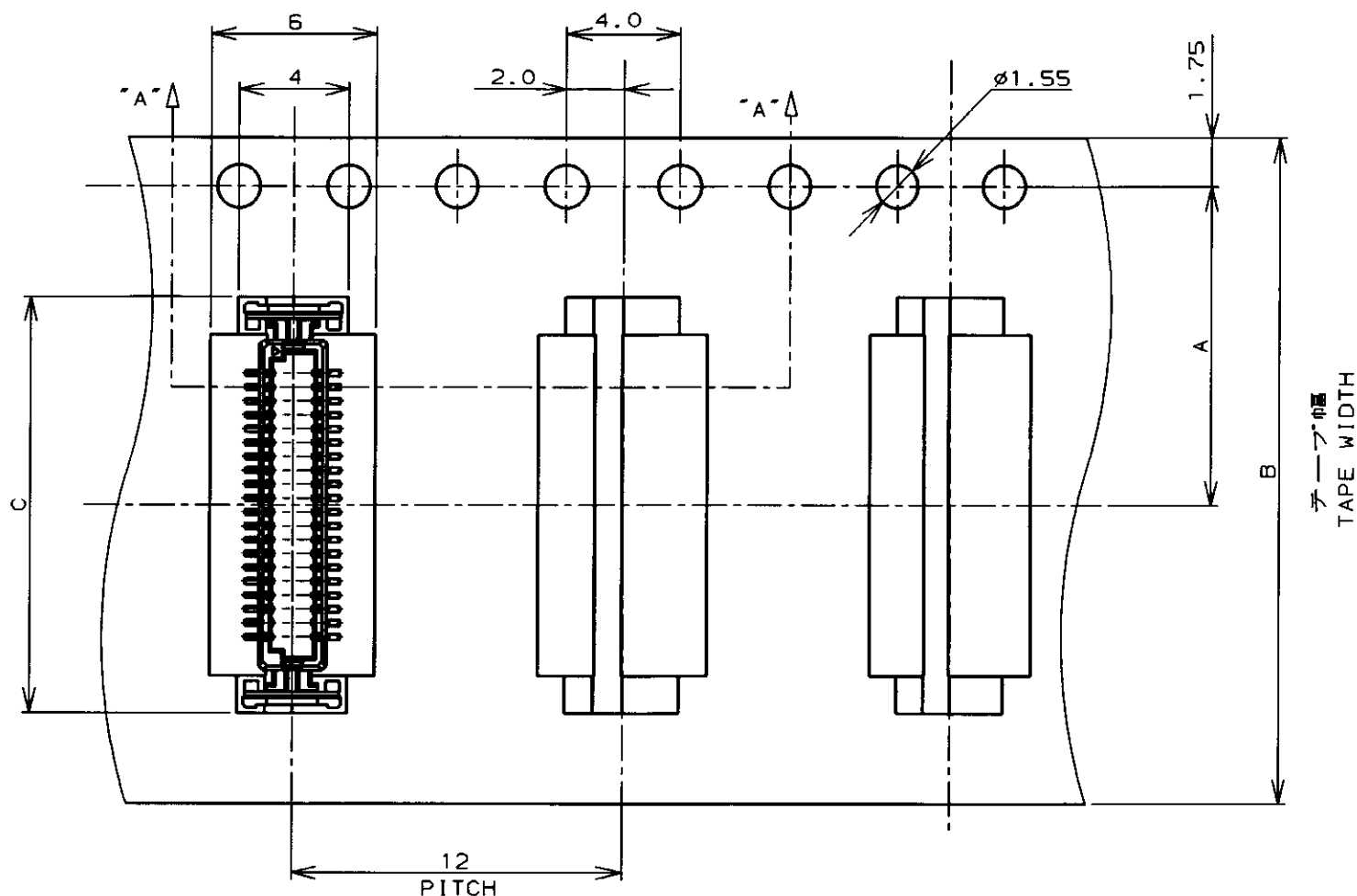
RELEASED FOR PUBLICATION

.19

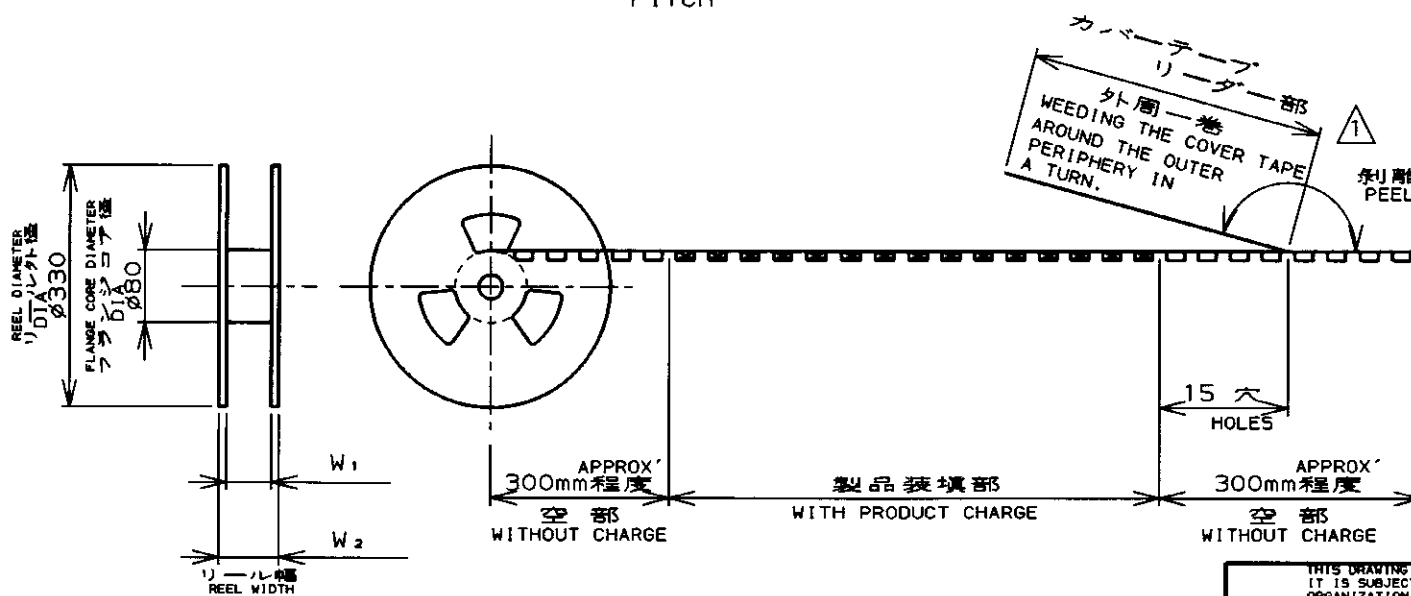
© COPYRIGHT 19

BY AMP INCORPORATED. ALL RIGHTS RESERVED.

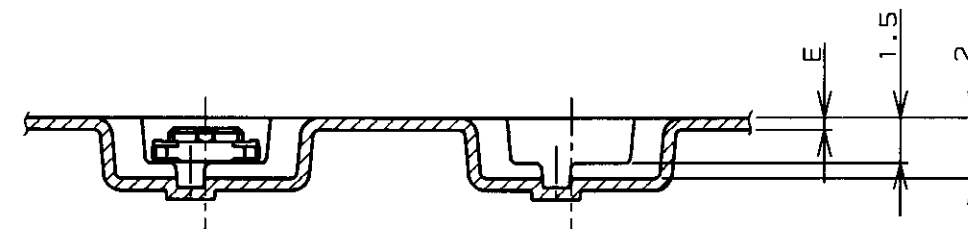
LOC	DIST	REVISIONS						
		P	LTR	DESCRIPTION	ECN	DATE	DWN	APVD
J				SEE SHEET 1 OF 2				



TOP OF REEL  
引出し方向



剥離角度, 165°~180°  
PEELING ANGLE.



28.4	24.4	0.4	15.0	24	11.5	1500	40	4-353688-0	4-353689-0
28.4	24.4	0.4	12.5	24	11.5	1500	30	3-353688-0	3-353689-0
W2	W1	E	C	B	A	数量 (ヶ) QTY/REEL	極数 Pos.	コネクタ型番 (シバラ状) CONNECTOR P/N (L/P)	リール巻 コネクタ型番 TAPING P/M

THIS DRAWING IS A CONTROLLED DOCUMENT FOR AMP INCORPORATED. IT IS SUBJECT TO CHANGE AND THE CONTROLLING ENGINEERING ORGANIZATION SHOULD BE CONTACTED FOR THE LATEST REVISION.

AMP 日本エー・एम・ピー株式会社  
Kawasaki, Japan

ON TAPING (EMBOSS)  
0.5mm PITCH FS CONN. TAB ASSEMBLY  
WITH KEY WITHOUT BOSS & POLYIMIDE FILM

SIZE: A3 CAGE CODE: 00779 DRAWING NO: 353689

CUSTOMER DRAWING SCALE: --- SHEET: 2 OF 2 REV: A

APPROX' 300mm 程度 空部 WITHOUT CHARGE

製品装填部 WITH PRODUCT CHARGE

APPROX' 300mm 程度 空部 WITHOUT CHARGE

15 穴 HOLES

単位: 概 mm

TOLERANCES UNLESS OTHERWISE SPECIFIED

一般公差

10% ±0.2

30% ±0.25

100% ±0.3

ANGLE: ±3°

FINISH 仕上 ---

MATERIAL 材料 ---

APVD: S. Kajinuma 1/27/97

CHK: K. Asahimura 1/27/97

APVD: S. Kubonishi 1/27/97