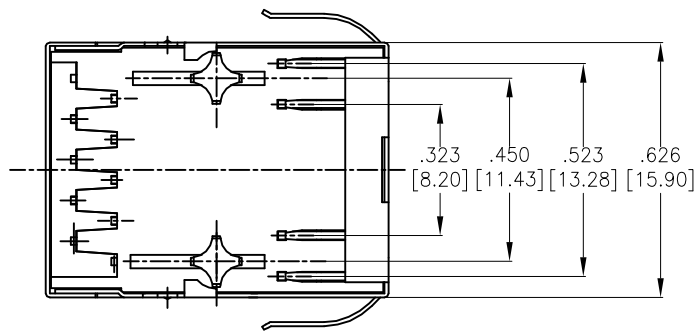
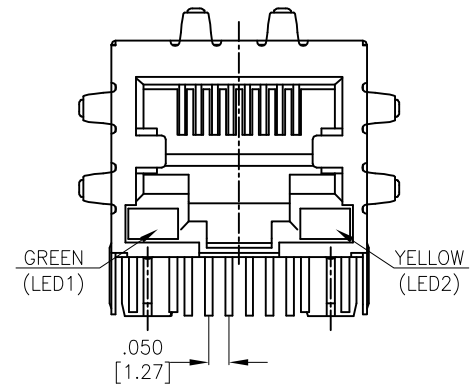
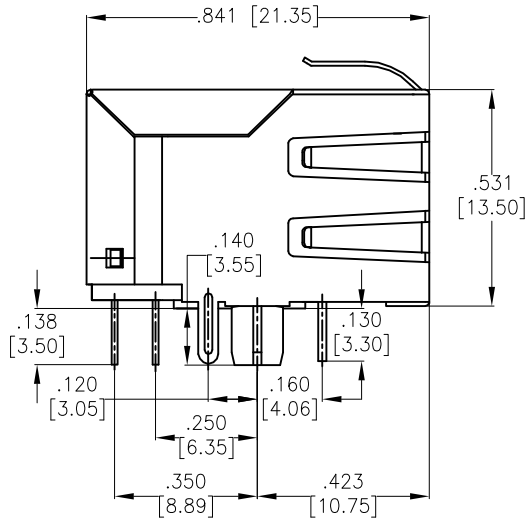
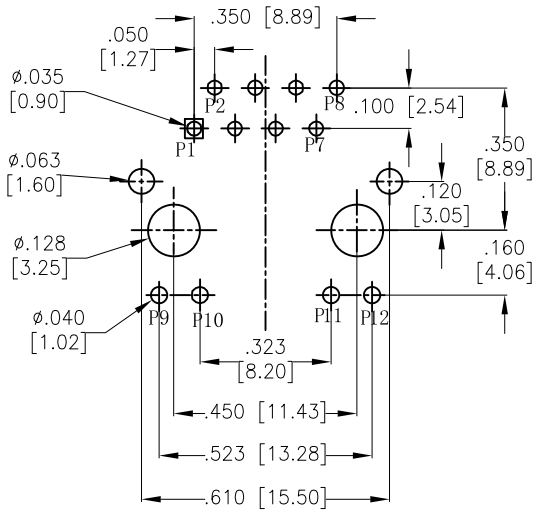


APPROVED: \_\_\_\_\_  
 DATE: \_\_\_\_\_ TITLE: \_\_\_\_\_

Rev	AWO #	Description	Date	Appr
-		RELEASED	5/17/13	
A		UPDATE DRAWING	8/13/20	AY/TL



**SPECIFICATIONS:**

Material:  
 Insulator: Thermoplastic, rated UL 94V-0  
 Contacts: Copper Alloy  
 Shield: Brass, Nickel plated  
 Plating:  
 Round contact  
 Gold over Nickel underplate overall  
 Flat contact  
 Gold over Nickel underplate on contact area,  
 Tin over Nickel underplate on solder tails  
 Electrical:  
 Voltage rating: 150 VAC  
 Contact resistance: 20 mohms max  
 Insulation resistance: 500 Mohms min  
 Dielectric withstanding voltage: 1500 VAC or 2250 VDC  
 Temperature Rating:  
 Operating temperature: 0°C to +70°C  
 Environmental:  
 Lead free, RoHS compliant.



UNLESS OTHERWISE SPECIFIED  
 ALL DIMENSIONS ARE INCHES [MM]  
 TOLERANCES: EXCEPT AS NOTED  
 INCHES HOLES

.X ± .10	Ø.X ± .10
.XX ± .020	Ø.XX ± .015
.XXX ± .015	Ø.XXX ± .010

**ADAM TECH**  
 INTERCONNECTS

909 Rahway Avenue,  
 Union, NJ 07083  
 Phone: 908-687-5000  
 Fax: 908-687-5710

TITLE: MODULAR TELEPHONE JACK, 1 PORT, 8P8C  
 W/ LED1 GREEN, LED 2 YELLOW

APPROVALS		DATE
DRAWN	AY	5/17/13
CHECKED	GH	5/17/13
APPROVED		

SIZE	PART NO.	REV.
X	MTJ-88TX1-FSD-PG-LH-M5	A
REF: S00005C	SCALE: NTS	SHEET 1 OF 2

6 5 4 3 2 1

APPROVED: \_\_\_\_\_  
 DATE: \_\_\_\_\_ TITLE: \_\_\_\_\_

Rev	AWO #	Description	Date	Appr
-		RELEASED	5/17/13	
A		UPDATE DRAWING	8/13/20	AY/TL

RECOMMENDED PCB LAYOUT

SPECIFICATIONS:

Material:  
 Insulator: Thermoplastic, rated UL 94V-0  
 Contacts: Copper Alloy  
 Shield: Brass, Nickel plated  
 Plating:  
 Round contact  
 Gold over Nickel underplate overall  
 Flat contact  
 Gold over Nickel underplate on contact area,  
 Tin over Nickel underplate on solder tails  
 Electrical:  
 Voltage rating: 150 VAC  
 Contact resistance: 20 mohms max  
 Insulation resistance: 500 Mohms min  
 Dielectric withstanding voltage: 1500 VAC or 2250 VDC  
 Temperature Rating:  
 Operating temperature: 0°C to +70°C  
 Environmental:  
 Lead free, RoHS compliant.

UNLESS OTHERWISE SPECIFIED  
 ALL DIMENSIONS ARE INCHES [MM]  
 TOLERANCES: EXCEPT AS NOTED  
 INCHES HOLES

.X ± .10	Ø.X ± .10
.XX ± .020	Ø.XX ± .015
.XXX ± .015	Ø.XXX ± .010

**ADAM TECH**  
 INTERCONNECTS

909 Rahway Avenue,  
 Union, NJ 07083  
 Phone: 908-687-5000  
 Fax: 908-687-5710

TITLE: MODULAR TELEPHONE JACK, 1 PORT, 8P8C  
 W/ LED1 GREEN, LED 2 YELLOW

APPROVALS		DATE
DRAWN	AY	5/17/13
CHECKED	GH	5/17/13
APPROVED		

SIZE	PART NO.	REV.
X	MTJ-88TX1-FSD-PG-LH-M5	A
REF: S00005C	SCALE: NTS	SHEET 1 OF 2

6 5 4 3 2 1