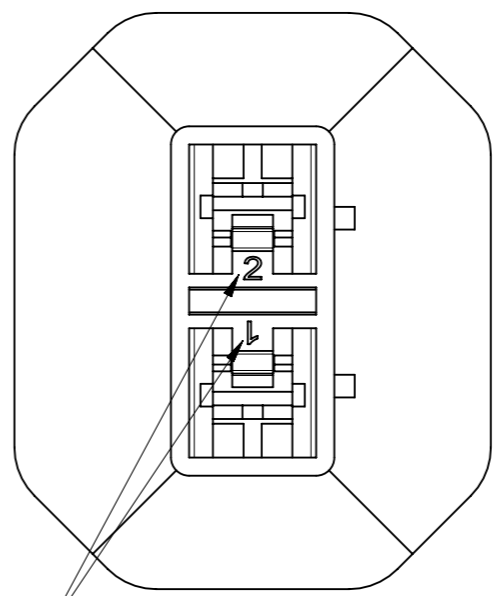
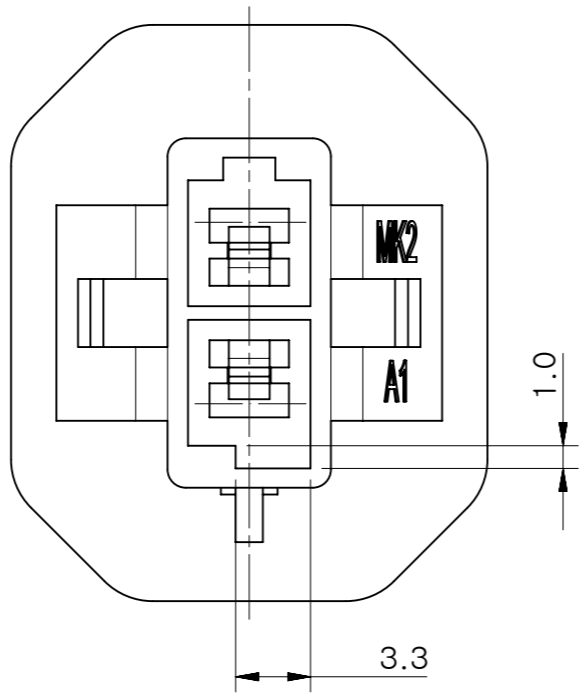
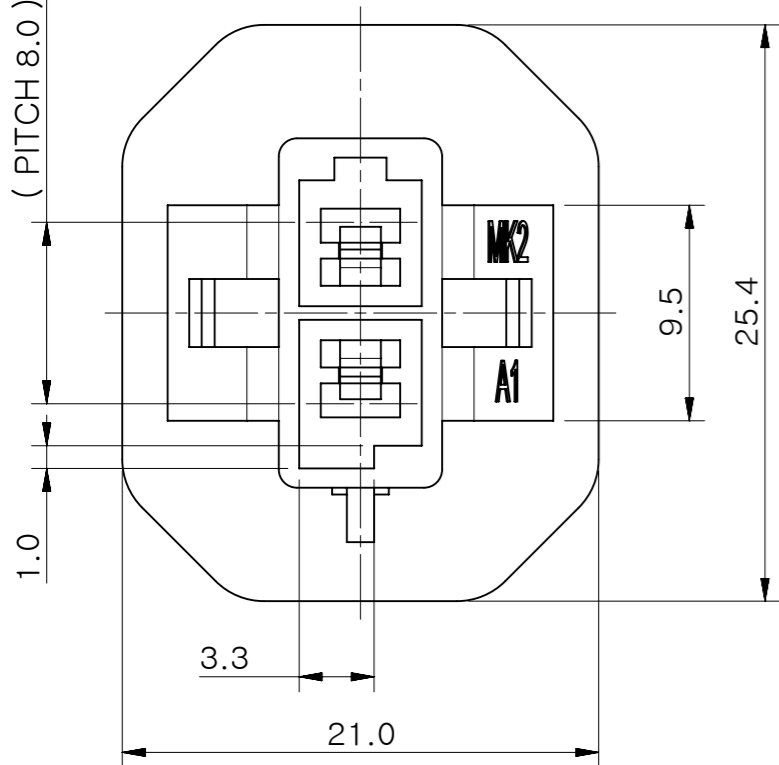


[TYPE-A]  
35180-0209

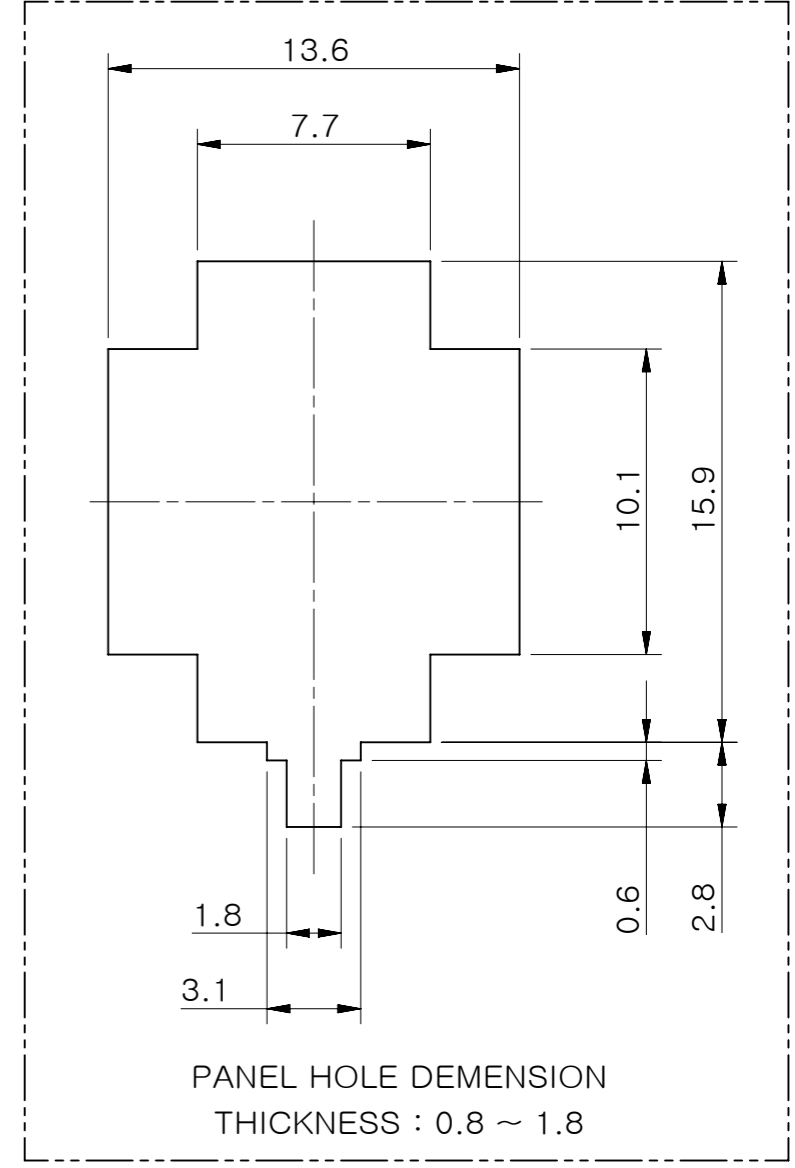
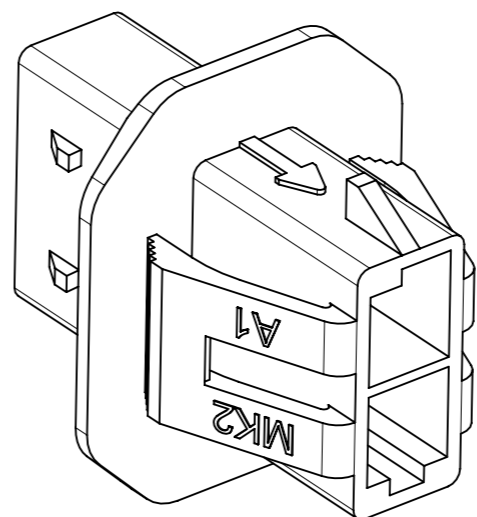
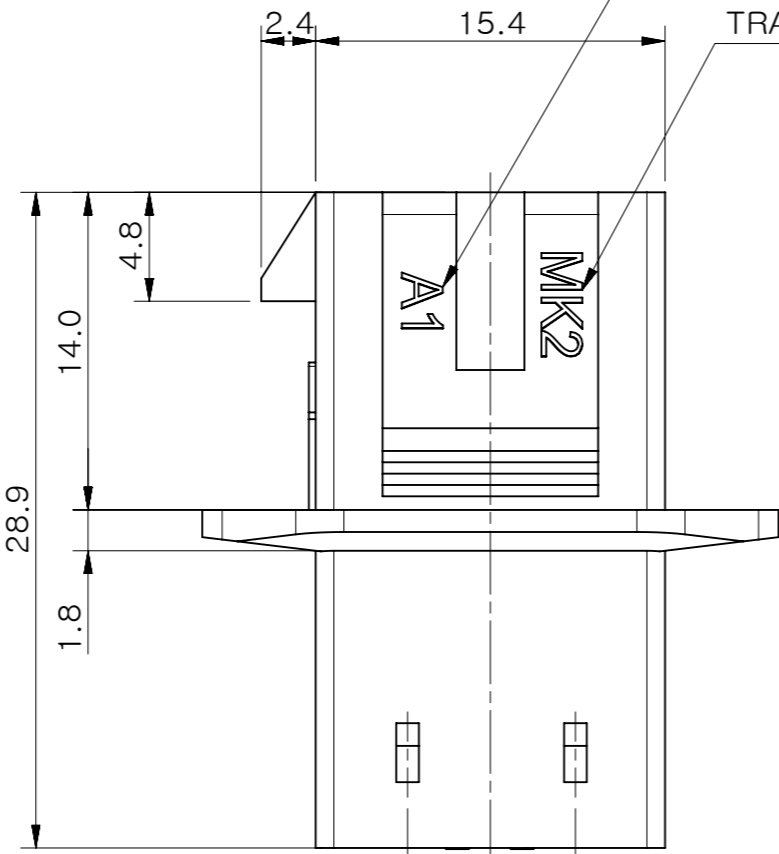
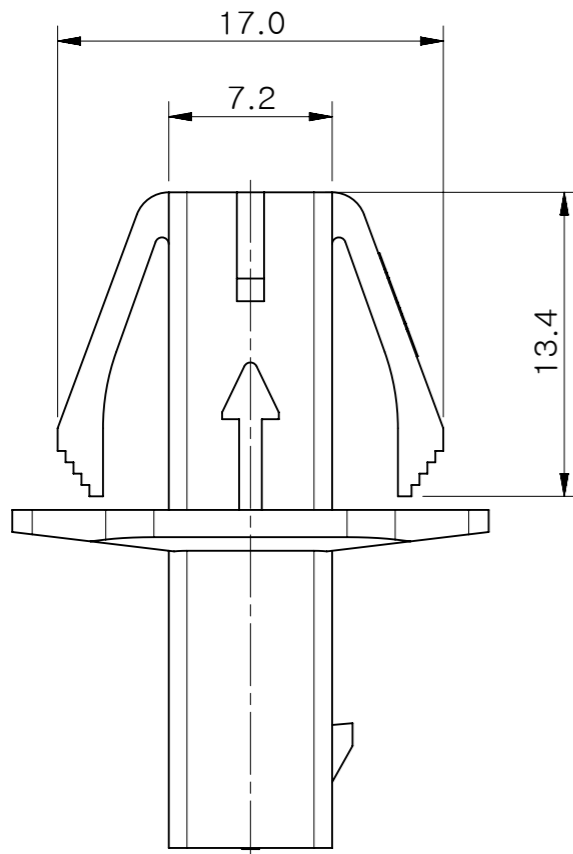
[TYPE-C]  
35180-0229

- NOTES.
1. MATERIAL & COLOR : SEE TABLE
  2. MATED HOUSING : SEE TABLE
  3. APPLICABLE TERMINAL : 35745 -0\*10
  4. APPLICABLE TPA : 35965-029\*
  5. PRODUCT SPECIFICATION : 351800200PS
  6. PACKAGE SPECIFICATION : 351800200SPK



CIRCUIT NO.  
VIEW "A"

CAVITY NO. (A1,A2,...)



PANEL HOLE DEMENSION  
THICKNESS : 0.8 ~ 1.8

VIEW "A"

NO.	MATERIAL NO.	COLOR	DESCRIPTION	MATED HOUSING
1	351800209 (TYPE-A)	NATURAL	PC/PET (UL94V-0, UNFILLED G/F)	35965-920* (TYPE-A)
2	351800229 (TYPE-C)	NATURAL		35965-922* (TYPE-C)
				204102-0209
				204102-0219

FUNCTIONAL SYMBOLS ∇A = 0 ∇E = 0 ∇F = 0	THIS DRAWING CONTAINS INFORMATION THAT IS PROPRIETARY TO MOLEX ELECTRONIC TECHNOLOGIES, LLC AND SHOULD NOT BE USED WITHOUT WRITTEN PERMISSION	SCALE 3:1	CURRENT REV DESC:	
	GENERAL TOLERANCES (UNLESS SPECIFIED)	mm	EC NO: 681214	2021/01/04
DIVISIONAL SYMBOLS	ANGULAR TOL ± °	4 PLACES ±	DRWN: JDPARK01	2021/10/15
	3 PLACES ±	2 PLACES ± 0.25	CHK'D: SCHONG03	2021/10/18
	1 PLACE ± 0.3	0 PLACES ± 0.3	APPR: JBJIN	
	DRAFT WHERE APPLICABLE MUST REMAIN WITHIN DIMENSIONS	THIRD ANGLE PROJECTION	INITIAL REVISION:	DOCUMENT NUMBER
			DRWN: JDPARK01	351800200
			APPR: JBJIN	PSD 000 A
		DRAWING A3-SIZE	SERIES 35180	MATERIAL NUMBER
				CUSTOMER
				SHEET NUMBER
				1 OF 1

**molex**

.070 MULTI W/W CONN. MALE HSG -2P

PRODUCT CUSTOMER DRAWING