

MATERIALS AND FINISHES

BODY ZINC ALLOY
PLATED NICKEL

CENTER CONTACT PHOSPHOR BRONZE
PLATED GOLD

INSULATOR POLYPROPYLENE

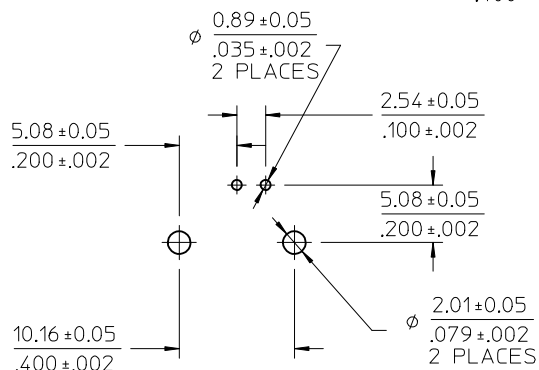
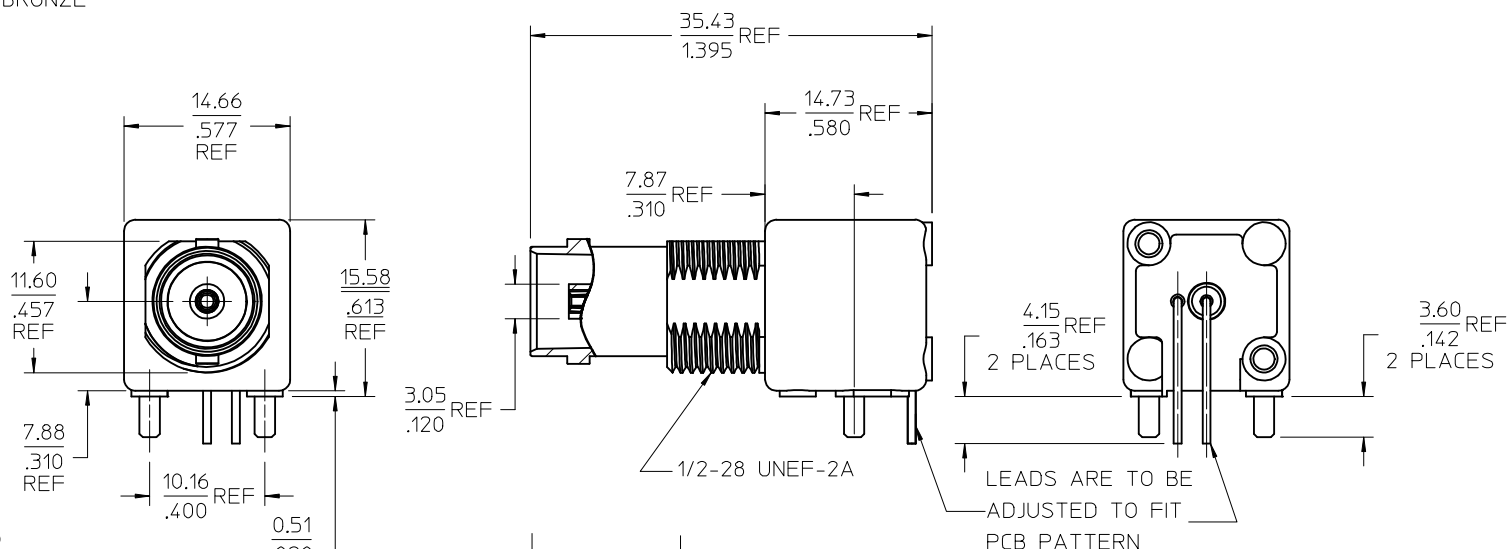
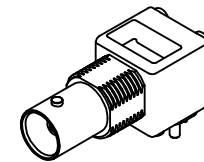
MOUNTING POST BRASS
PLATED TIN

SOLDER TAIL STEEL
PLATED TIN

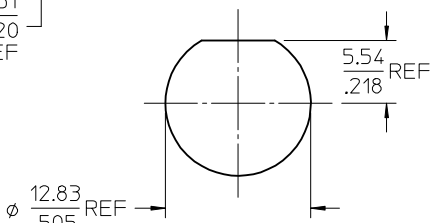
WASHER PHOSPHOR BRONZE
PLATED NICKEL

JAM NUT BRASS
PLATED NICKEL

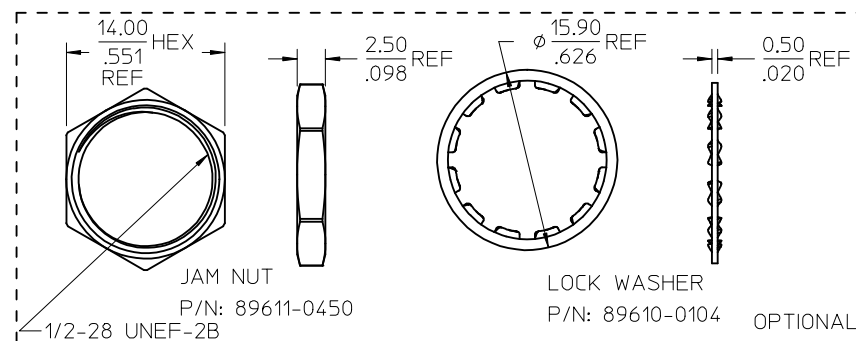
BNC JACK
75 OHM
INTERFACE



RECOMMENDED PCB HOLE



RECOMMENDED MOUNTING HOLE
PANEL THICKNESS: 5.40(.213) MAX
RECOMMENDED MOUNTING
TORQUE: 1.36 N-m(12 INCH-LBS) MAX



| | |
|---------------|-----------------------|
| PS-73598-0051 | PRODUCT SPECIFICATION |
| SPECIFICATION | DESCRIPTION |

| | |
|------------|--|
| 73171-3021 | TRAY PACK, WITHOUT JAM NUT AND LOCK WASHER |
| 73171-3020 | 73100-0080, ONE PER BAG |
| 73100-0080 | TRAY PACK, WITH JAM NUT AND LOCK WASHER |
| PART NO. | PACKAGING/ DESCRIPTION |

| | | | | | | | |
|---|--|---------------------|--|--------------|--|-------------|--|
| CHG: ADDED P/N FOR NUT & WASHER PER RF14-E066 | | EC NO: URF2014-0353 | | DRWN: CME102 | | 2013/12/09 | |
| CHKD: | | APPR: MHUANG | | 2013/12/31 | | DESCRIPTION | |
| REV: B4 | | QUALITY SYMBOLS | | | | | |
| | | | | | | | |

| | | | | | | | | | |
|--|--|-----------------|--|---|--|--------------------|--|------------------------|--|
| GENERAL TOLERANCES (UNLESS SPECIFIED) | | DIMENSION STYLE | | SCALE | | DESIGN UNITS | | THIRD ANGLE PROJECTION | |
| | | MM/IN | | | | METRIC | | | |
| 4 PLACES ± --- ± --- | | DRAWN BY | | DATE | | TITLE | | BNC JACK, R/A | |
| 3 PLACES ± --- ± --- | | DENG | | 1993/02/04 | | MOLEX INCORPORATED | | RECEPTACLE, 75 OHMS | |
| 2 PLACES ± --- ± --- | | CHECKED BY | | DATE | | SD-73100-0080 | | BNC-J/RA/PCB | |
| 1 PLACE ± --- ± --- | | APPROVED BY | | DATE | | SHEET NO. | | 1 OF 1 | |
| ANGULAR ± 2 ° | | KHW | | 1993/02/11 | | DOCUMENT NO. | | SD-73100-0080 | |
| DRAFT WHERE APPLICABLE MUST REMAIN WITHIN DIMENSIONS | | MATERIAL NO. | | SEE TABLE | | SHEET NO. | | 1 OF 1 | |
| | | SIZE | | THIS DRAWING CONTAINS INFORMATION THAT IS PROPRIETARY TO MOLEX INCORPORATED AND SHOULD NOT BE USED WITHOUT WRITTEN PERMISSION | | | | | |