

IKS-6728A-8PoE Series

24+4G-port Gigabit modular managed PoE+ Ethernet switches



- > 8 built-in PoE+ ports compliant with IEEE 802.3af/at
- > Up to 36 W output per PoE+ port
- > 3 kV LAN surge protection for extreme outdoor environments
- > PoE diagnostics for powered-device mode analysis
- > 4 Gigabit combo ports for high bandwidth communication
- > -40 to 75°C operating temperature range at 720 W full loading



Introduction

The Moxa IKS-6728A-8PoE series of Gigabit modular managed PoE+ Ethernet switches are designed to meet the demands of mission critical applications for business and industry. The IKS-6728A-8PoE comes standard with up to 24 10/100BaseT(X), or PoE/PoE+, and 4 combo Gigabit Ethernet ports. The IKS-6728A-8PoE Ethernet switches provide up to 30 watts of power per PoE+ port in standard mode, and also support high power output of up to 36 watts for heavy-duty industrial PoE devices, such as weather-proof IP surveillance cameras with wipers/heaters, high-performance wireless access points, and rugged IP phones. IKS-6728A-8PoE Ethernet switches support two

types of power input sources: 48VDC for PoE+ ports and system power, and 110/220 VAC for system power. These Ethernet switches also support a variety of management functions, including STP/RSTP, Turbo Ring, Turbo Chain, PoE power management, PoE device auto-checking, PoE power scheduling, PoE diagnostic, IGMP, VLAN, QoS, RMON, bandwidth management, and port mirroring. The IKS-6728A-8PoE series is designed especially for harsh outdoor applications with 3kV surge protection to ensure the uninterrupted reliability of PoE systems.

Features and Benefits

- Advanced PoE management functions: PoE output setting, PD failure check, PoE scheduling, and PoE diagnostics
- Command Line Interface (CLI) for quickly configuring major managed functions
- Software-based IEEE 1588 PTPv2 (Precision Time Protocol) for precise time synchronization of networks
- DHCP Option 82 for IP address assignment with different policies
- Support EtherNet/IP and Modbus/TCP protocols for device management and monitoring
- Compatible with PROFINET protocol for transparent data transmission
- Turbo Ring and Turbo Chain (recovery time < 20 ms @ 250 switches), RSTP/STP, and MSTP for network redundancy
- IGMP snooping and GMRP for filtering multicast traffic
- Port-based VLAN, IEEE 802.1Q VLAN, and GVRP to ease network planning
- QoS (IEEE 802.1p/1Q) and TOS/DiffServ to increase determinism
- IEEE 802.3ad, LACP for optimum bandwidth utilization
- TACACS+, IEEE 802.1X, SNMPv3, HTTPS, and SSH to enhance network security
- SNMPv1/v2c/v3 for different levels of network management
- RMON for efficient network monitoring and proactive capability
- Bandwidth management prevents unpredictable network status with “Lock port” to restrict access to authorized MAC addresses
- Port mirroring for online debugging
- Automatic warning by exception through email, relay output
- Automatic recovery of connected device’s IP addresses
- Line-swap fast recovery
- Configurable by web browser, Telnet/serial console, CLI, Windows utility, and ABC-02-USB automatic backup configurator

Specifications

Technology

Standards:

IEEE 802.3af/at for PoE/PoE+ output
 IEEE 802.3 for 10BaseT
 IEEE 802.3u for 100BaseT(X) and 100BaseFX
 IEEE 802.3ab for 1000BaseT(X)
 IEEE 802.3z for 1000BaseX
 IEEE 802.3x for Flow Control
 IEEE 802.1D-2004 for Spanning Tree Protocol
 IEEE 802.1w for Rapid STP
 IEEE 802.1s for Multiple Spanning Tree Protocol
 IEEE 802.1Q for VLAN Tagging
 IEEE 802.1p for Class of Service
 IEEE 802.1X for Authentication
 IEEE 802.3ad for Port Trunk with LACP
Protocols: IGMP v1/v2, GMRP, GVRP, SNMPv1/v2c/v3, DHCP Server/Client, BootP, TFTP, SNTP, SMTP, RARP, RMON, HTTP, HTTPS, Telnet, SSH, Syslog, DHCP Option 66/67/82, EtherNet/IP, Modbus/TCP, LLDP, IEEE 1588 PTPv2, IPv6, NTP Server/Client
MIB: MIB-II, Ethernet-like MIB, P-BRIDGE MIB, Q-BRIDGE MIB, Bridge MIB, RSTP MIB, RMON MIB Group 1, 2, 3, 9
Flow Control: IEEE 802.3x flow control, back pressure flow control

Switch Properties

Priority Queues: 4

Max. Number of Available VLANs: 64

VLAN ID Range: VID 1 to 4094

IGMP Groups: 256

MAC Table Size: 8 K

Packet Buffer Size: 2 Mbit

Interface

Fast Ethernet: 8-port 10/100BaseT(X) or PoE+ 10/100BaseT(X) 2 modular slots for any 8-, or 6-port Interface Modules with 10/100BaseT(X), 100BaseFX (SC/ST connector), 100Base SFP, or PoE+ 10/100BaseT(X)

Note: See the IM-6700A datasheet for Fast Ethernet module and PoE+ module product information.

Gigabit Ethernet: 4-port 10/100/1000BaseT(X) or 100/1000Base SFP

Console Port: USB-serial console (Type B connector)

Storage Port: USB storage (Type A connector for ABC-02-USB)

System LED Indicators: PWR1, PWR2, EPS1, EPS2, STATE, FAULT, MSTR/HEAD, CPLR/TAIL

Alarm Contact: 1 relay output with current carrying capacity of 3 A @ 30 VDC

Power Requirements

Input Voltage:

HV models:

- 110/220 VAC (85 to 264 VAC) for switch system
- 48 VDC (46 to 57 VDC) for PoE system
(53 to 57 VDC is recommended for PoE+ devices)

48 VDC models:

- 48 VDC (46~57 VDC) for switch and PoE system

Input Current:

HV models:

- PWR input current (switch system):
Max. 0.33 A @ 110 VAC
Max. 0.24 A @ 230 VAC
- EPS input current (PoE system):
Max. 0.29 A @ 48 VDC (excluding power consumption of PoE devices)

48 VDC models:

- PWR/EPS input current (switch and PoE systems):
Max. 0.53 A @ 48 VDC (excluding power consumption of PoE devices)

Overload Current Protection: Present

Reverse Polarity Protection: Present

Modular Rackmount Ethernet Switch System, IKS-6728A-8PoE series

IKS-6728A-8PoE-4GTXSFP-HV-T
 IKS-6728A-8PoE-4GTXSFP-HV-HV-T
 IKS-6728A-8PoE-4GTXSFP-48-T
 IKS-6728A-8PoE-4GTXSFP-48-48-T



Physical Characteristics

Housing: IP30 protection

Dimensions: 440 x 44 x 280 mm (17.32 x 1.37 x 11.02 in)

Weight: IKS-6728A-8PoE-4GTXSFP-HV-T: 4250 g

IKS-6728A-8PoE-4GTXSFP-HV-T: 4150 g

IKS-6728A-8PoE-4GTXSFP-48-48-T: 4250 g

IKS-6728A-8PoE-4GTXSFP-48-T: 4150 g

Installation: 19" rack mounting

Environmental Limits

Operating Temperature: -40 to 75°C (-40 to 167°F)

Storage Temperature: -40 to 85°C (-40 to 185°F)

Ambient Relative Humidity: 5 to 95% (non-condensing)

Standards and Certifications

Safety: UL 60950-1, EN 60950-1

EMI: FCC Part 15 Subpart B Class A, EN 55022 Class A

EMS:

EN 61000-4-2 (ESD) Level 3, EN 61000-4-3 (RS) Level 3,
 EN 61000-4-4 (EFT) Level 3, EN 61000-4-5 (Surge) Level 3,
 EN 61000-4-6 (CS) Level 3, EN 61000-4-8, EN 61000-4-11

Rail Traffic: EN 50121-4

Shock: IEC 60068-2-27

Freefall: IEC 60068-2-32

Vibration: IEC 60068-2-6

Note: Please check Moxa's website for the most up-to-date certification status.

MTBF (mean time between failures)

Time: 214,975 hrs

Database: Telcordia (Bellcore), GB

Warranty

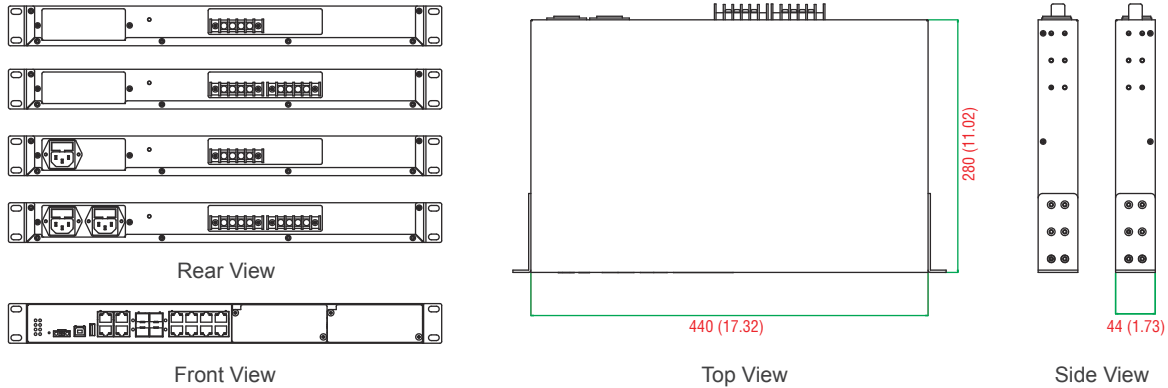
Warranty Period: 5 years

Details: See www.moxa.com/warranty

Dimensions

IKS-6728A-8PoE-4GTXSFP Series

Unit: mm (inch)



Ordering Information

Step 1: Select Ethernet switch system

Step 2: Select interface modules

IKS-6728A-8PoE with power supply



IM-6700A modules (PoE+/Fast Ethernet)

Note: The IKS-6728A-8PoE Ethernet switch system is delivered without interface modules. See the IM-6700A datasheet to determine which interface modules are suitable for your application.

IKS-6728A-8PoE Modular Rackmount Ethernet PoE+ Switch System

Modular managed rackmount Ethernet PoE+ switch with 8 built-in 10/100BaseT(X) PoE+ ports, 4 Gigabit Copper/SFP combo ports, and 2 slots for Fast Ethernet PoE+ modules. Support up to 24+4G ports with 8 built-in PoE+ ports and up to 24 PoE+ ports, -40 to 75°C operating temperature.

Available Models	Port Interface				Power Supply			
	Gigabit Ethernet	Fast Ethernet			Isolated Power Supply 1		Isolated Power Supply 2	
		10/100/1000BaseT(X) or 100/1000BaseSFP*	10/100BaseT(X) (or PoE+ ports)	100BaseFX	100BaseSFP*	HV (85 to 264 VAC)	48 VDC (46 to 57 VDC)	HV (85 to 264 VAC)
IKS-6728A-8PoE Series								
IKS-6728A-8PoE-4GTXSFP-HV-T	4	Up to 24	Up to 12	Up to 20	1	-	-	-
IKS-6728A-8PoE-4GTXSFP-HV-HV-T	4	Up to 24	Up to 12	Up to 20	1	-	1	-
IKS-6728A-8PoE-4GTXSFP-48-T	4	Up to 24	Up to 12	Up to 20	-	1	-	-
IKS-6728A-8PoE-4GTXSFP-48-48-T	4	Up to 24	Up to 12	Up to 20	-	1	-	1

Note:

The IKS-6728A-8PoE series needs an external 48 VDC (46 to 57 VDC) power supply for PoE+ output

The IKS-6728A-8PoE series supports up to 24 PoE+ ports. 8 PoE+ ports are built in. Two IM-6700A-8PoE modules can add up to 16 more PoE+ ports.

The IKS-6728A-8PoE series supports 100BaseSFP and 100/1000BaseSFP slots. Please the SFP-1G and SFP-1FE datasheets for SFP module product information

Optional Accessories (can be purchased separately)

MXview: Moxa industrial network management software with 50, 100, 250, 500, 1000, or 2000 nodes

EDS-SNMP OPC Server Pro: OPC server software that works with all SNMP devices

ABC-02-USB: Configuration backup and restoration tool for managed Ethernet switches, 0 to 60°C operating temperature

Power Cords: See Appendix A for details

Package Checklist

- IKS-6728A-8PoE switch
- USB cable (Type A male to Type B male)
- AC power cord (US type x1, EU type x1, HV model only)
- Protective caps for unused ports
- 2 rackmount ears
- Documentation and software CD
- Hardware installation guide (printed)
- Warranty card

IM-6700A Series

**Fast Ethernet modules for IKS-6726A-2GTXSFP/IKS-6728A-4GTXSFP/
IKS-6728A-8PoE-4GTXSFP series switches**

Specifications

Fast Ethernet Interface Modules, IM-6700A series



IM-6700A-8TX



IM-6700A-8SFP*



IM-6700A-6SSC
IM-6700A-6MSC



IM-6700A-6MST



IM-6700A-2MSC4TX
IM-6700A-2SSC4TX



IM-6700A-2MST4TX



IM-6700A-4MSC2TX
IM-6700A-4SSC2TX



IM-6700A-4MST2TX



IM-6700A-8PoE**

*See the SFP-1FE datasheet for Fast Ethernet module product information.

**IM-6700A-8PoE is supported by the IKS-6728A-8PoE series

Interface

RJ45 Ports: 10/100BaseT(X) auto negotiation speed, Full/Half duplex mode, and auto MDI/MDI-X connection

Fiber Ports: 100BaseFX ports (SC/ST or SFP LC connector)

LED Indicators: 10/100 for TP port, 100M for fiber port

PoE Ports: 10/100BaseT(X) auto negotiation speed, Full/Half duplex mode, and auto MDI/MDI-X connection, IEEE 802.3af/at standards, Mode A

Power Requirements

Power Consumption:

IM-6700A-8TX: 1.43 W

IM-6700A-8PoE: 1.43 W (w/o PoE output)

IM-6700A-8SFP: 9.95 W

IM-6700A-6MSC, -6MST, -6SSC: 8.20 W

IM-6700A-4MSC2TX, -4MST2TX, -4SSC2TX: 5.72 W

IM-6700A-2MSC4TX, -2MST4TX, -2SSC4TX: 3.45 W

Physical Characteristics

Weight:

IM-6700A-8TX: 225 g

IM-6700A-8PoE: 260 g

IM-6700A-8SFP: 295 g

IM-6700A-6MSC, -6MST, -6SSC: 390 g

IM-6700A-4MSC2TX, -4MST2TX, -4SSC2TX: 270 g

IM-6700A-2MSC4TX, -2MST4TX, -2SSC4TX: 270 g

Reliability

MTBF (mean time between failures):

IM-6700A-8TX: 10,412,400 hrs

IM-6700A-8SFP: 3,510,110 hrs

IM-6700A-6MSC: 366,119 hrs

IM-6700A-6MST: 365,741 hrs

IM-6700A-6SSC: 365,741 hrs

IM-6700A-4MSC2TX: 530,268 hrs

IM-6700A-4MST2TX: 537,942 hrs

IM-6700A-2MSC4TX: 1,031,180 hrs

IM-6700A-2MST4TX: 1,031,180 hrs

IM-6700A-2SSC4TX: 1,031,180 hrs

IM-6700A-8PoE: 338,800 hrs

Database: Telcordia (Bellcore), GB

Optical Fiber

	100BaseFX	
	Multi-mode	Single-mode
Wavelength	1300 nm	1310 nm
Max. TX	-10 dBm	0 dBm
Min. TX	-20 dBm	-5 dBm
RX Sensitivity	-32 dBm	-34 dBm
Link Budget	12 dB	29 dB
Typical Distance	5 km ^a 4 km ^b	40 km ^c
Saturation	-6 dBm	-3 dBm

a. 50/125 μm, 800 MHz*km fiber optic cable

b. 62.5/125 μm, 500 MHz*km fiber optic cable

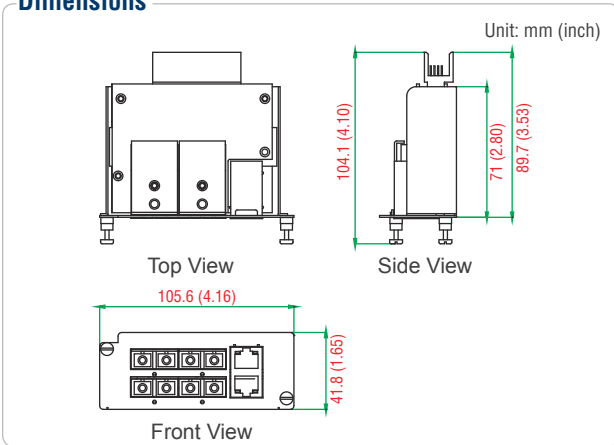
c. 9/125 μm single-mode fiber optic cable

Warranty

Warranty Period: 5 years

Details: See www.moxa.com/warranty

Dimensions



Ordering Information

Compatible Rackmount Ethernet Switch Systems

Modular Rackmount Ethernet Switch System:

IKS-6726A-2GTXSFP



IKS-6728A-4GTXSFP



IKS-6728A-8PoE



Fast Ethernet Modules, IM-6700A Series

Available Models	Port Interface				
	10/100BaseT(X)	100BaseFX			100BaseSFP*
		Multi-mode, SC Connector	Multi-mode, ST Connector	Single-mode, SC Connector	
IM-6700A-8TX	8	–	–	–	–
IM-6700A-8SFP	–	–	–	–	8
IM-6700A-6MSC	–	6	–	–	–
IM-6700A-6MST	–	–	6	–	–
IM-6700A-6SSC	–	–	–	6	–
IM-6700A-4MSC2TX	2	4	–	–	–
IM-6700A-4MST2TX	2	–	4	–	–
IM-6700A-4SSC2TX	2	–	–	4	–
IM-6700A-2MSC4TX	4	2	–	–	–
IM-6700A-2MST4TX	4	–	2	–	–
IM-6700A-2SSC4TX	4	–	–	2	–
IM-6700A-8PoE	8 (PoE+ ports)	–	–	–	–

Package Checklist

- IM-6700A series interface module
- Warranty card

SFP-1G Series

1-port Gigabit Ethernet SFP modules



- > IEEE 802.3z compliant
- > Differential LVPECL inputs and outputs
- > TTL signal detect indicator
- > Hot pluggable LC duplex connector
- > Class 1 laser product, complies with EN 60825-1



Specifications

Interface

Ethernet Ports: 1

Connectors: Duplex LC Connector or Simplex LC Connector (WDM-type only)

Note: WDM-type SFP modules must be used in pairs (e.g., SFP-1G10ALC and SFP-1G10BLC)

Note: When connecting long distance SFP (SFP-ZX, EZX or EZX-120), please ensure at least 5 dB attenuation between both ends. Without attenuation, excessive optical power may damage the transceivers.

Optical Fiber

	Gigabit Ethernet													
	SFP-SX	SFP-LSX	SFP-LX	SFP-LH	SFP-LHX	SFP-ZX	SFP-EZX	SFP-EZX-120	SFP-10A	SFP-10B	SFP-20A	SFP-20B	SFP-40A	SFP-40B
Wavelength	850 nm	1310 nm	1310 nm	1310 nm	1310 nm	1550 nm	1550 nm	1550 nm	TX 1310 nm, RX 1550 nm	TX 1550 nm, RX 1310 nm	TX 1310 nm, RX 1550 nm	TX 1550 nm, RX 1310 nm	TX 1310 nm, RX 1550 nm	TX 1550 nm, RX 1310 nm
Max. TX	-4 dBm	-1 dBm	-3 dBm	-2 dBm	1 dBm	5 dBm	5 dBm	3 dBm	-3 dBm		-2 dBm		2 dBm	
Min. TX	-9.5 dBm	-9 dBm	-9.5 dBm	-8 dBm	-4 dBm	0 dBm	0 dBm	-2 dBm	-9 dBm		-8 dBm		-3 dBm	
RX Sensitivity	-18 dBm	-19 dBm	-20 dBm	-23 dBm	-24 dBm	-24 dBm	-30 dBm	-33 dBm	-21 dBm		-23 dBm		-23 dBm	
Link Budget	8.5 dB	10 dB	10.5 dB	15 dB	20 dB	24 dB	30 dB	31 dB	12 dB		15 dB		20 dB	
Typical Distance	550 m ^a	2 km ^b	10 km ^c	30 km ^c	40 km ^c	80 km ^c	110 km ^c	120 km ^c	10 km ^c		20 km ^c		40 km ^c	
Saturation	0 dBm	-3 dBm	-3 dBm	-3 dBm	-3 dBm	-3 dBm	-3 dBm	-8 dBm	-1 dBm		-1 dBm		-1 dBm	

a. 50/125 μm, 400 MHz-km or 62.5/125 μm, 500 MHz-km @ 850 nm multi-mode fiber optic cable

b. 62.5/125 μm, 750 MHz-km @ 1310 nm multi-mode fiber optic cable

c. 9/125 μm single-mode fiber optic cable

Note: The actual communication distance depends on many factors, including connector loss, cable deployment, and the age of the cabling system. We recommend doing a link budget analysis and reserving a 3 dB margin for such factors.

Environmental Limits

Operating Temperature:

Standard Models: 0 to 60°C (32 to 140°F)

Wide Temp. Models: -40 to 85°C (-40 to 185°F)

Storage Temperature: -40 to 85°C (-40 to 185°F)

Ambient Relative Humidity: 5 to 95% (non-condensing)

Standards and Certifications

Safety: UL 60950-1, TÜV

Marine: DNV, GL, LR, NK

Warranty

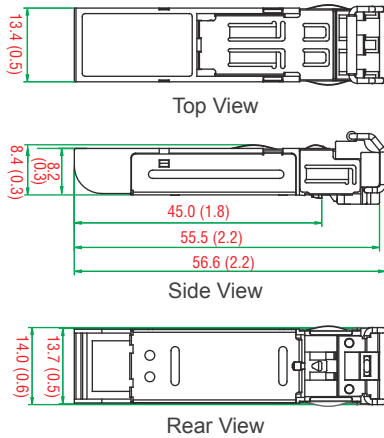
Warranty Period: 5 years

Details: See www.moxa.com/warranty

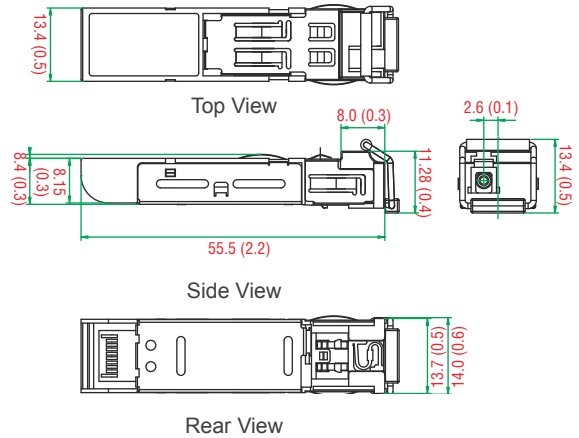
Dimensions

Unit: mm (inch)

SFP-1G Series



SFP-1G Series (WDM Type)



Ordering Information

SFP Modules

Available Models		Port Interface							
Standard Temperature (0 to 60°C)	Wide Temperature (-40 to 85°C)	1000BaseSX, LC Connector, 0.5 km	1000BaseLSX, LC Connector, 2 km	1000BaseLX, LC Connector, 10 km	1000BaseLH, LC Connector, 30 km	1000BaseLHX, LC Connector, 40 km	1000BaseZX, LC Connector, 80 km	1000BaseEZX, LC Connector, 110 km	1000BaseEZXC, LC Connector, 120 km
SFP-1GSXLC	SFP-1GSXLC-T*	1	-	-	-	-	-	-	-
SFP-1GLSXLC	SFP-1GLSXLC-T	-	1	-	-	-	-	-	-
SFP-1GLXLC	SFP-1GLXLC-T	-	-	1	-	-	-	-	-
SFP-1GLHLC	SFP-1GLHLC-T	-	-	-	1	-	-	-	-
SFP-1GLHLC	SFP-1GLHLC-T	-	-	-	-	1	-	-	-
SFP-1GLHLC	SFP-1GLHLC-T	-	-	-	-	-	1	-	-
SFP-1GZXLC	SFP-1GZXLC-T	-	-	-	-	-	1	-	-
SFP-1GEZXC	-	-	-	-	-	-	-	1	-
SFP-1GEZXC-120	-	-	-	-	-	-	-	-	1

*SFP-1GSXLC-T: -20 to 75°C operating temperature

WDM-type (BiDi) SFP Modules

Available Models		Port Interface					
Standard Temperature (0 to 60°C)	Wide Temperature (-40 to 85°C)	1000BaseSFP, LC Connector, 10 km		1000BaseSFP, LC Connector, 20 km		1000BaseSFP, LC Connector, 40 km	
		TX 1310 nm, RX 1550 nm	TX 1550 nm, RX 1310 nm	TX 1310 nm, RX 1550 nm	TX 1550 nm, RX 1310 nm	TX 1310 nm, RX 1550 nm	TX 1550 nm, RX 1310 nm
SFP-1G10ALC	SFP-1G10ALC-T	1	-	-	-	-	-
SFP-1G10BLC	SFP-1G10BLC-T	-	1	-	-	-	-
SFP-1G20ALC	SFP-1G20ALC-T	-	-	1	-	-	-
SFP-1G20BLC	SFP-1G20BLC-T	-	-	-	1	-	-
SFP-1G40ALC	SFP-1G40ALC-T	-	-	-	-	1	-
SFP-1G40BLC	SFP-1G40BLC-T	-	-	-	-	-	1

Available Models

The SFP-1G series modules can be used with the following products:

ICS-G7850A/G7852A series, ICS-G7850/G7852 series, ICS-G7750A/G7752A series, ICS-G7750/G7752 series, IM-G7000A-4GSFP, IM-G7000-4GSFP, ICS-G7826A/G7828A series, ICS-G7826/G7828 series, ICS-G7526A/G7528A series, ICS-G7526/G7528 series, IKS-G6524A/G6824A series, IKS-G6524/G6824 series, IKS-6726A/6728A series, IKS-6726/6728 series, IM-2GSFP, EDS-611/619 series, EDS-G516E series, EDS-G512E series, EDS-G509 series, EDS-518A series, EDS-510A series, EDS-510E series, EDS-G308 series, EDS-210A series, IKS-6728A-8PoE series, IKS-6728-8PoE series, EDS-P510A-8PoE series, EDS-P510 series, EDS-G205A-4PoE series, PM-7200-2G/4G series, PM-7500-2G/4G series, PT-G7509 series, IMC-101G series, EDR-G903/G902 series, EDR-810 series, PT-7528 series

Package Checklist

- SFP-1G module
- Warranty card

SFP-1FE Series

1-port Fast Ethernet SFP modules



- > IEEE 802.3u compliant
- > Differential PECL inputs and outputs
- > TTL signal detect indicator
- > Hot pluggable LC duplex connector
- > Class 1 laser product; complies with EN 60825-1



Specifications

Interface

Ethernet Ports: 1

Connectors: Duplex LC Connector

Optical Fiber

	Fast Ethernet		
	SFP-M	SFP-S	SFP-L
Wavelength	1300 nm	1310 nm	1550 nm
Max. TX	-8 dBm	0 dBm	0 dBm
Min. TX	-18 dBm	-5 dBm	-5 dBm
RX Sensitivity	-34 dBm	-34 dBm	-34 dBm
Link Budget	26 dB	29 dB	29 dB
Typical Distance	4 km ^a	40 km ^b	80 km ^b
Saturation	0 dBm	-3 dBm	-3 dBm

a. 50/125 μm or 62.5/125 μm, 800 MHz * km @ 1300 nm multi-mode fiber optic cable

b. 9/125 μm single-mode fiber optic cable

Environmental Limits

Operating Temperature: -40 to 85°C (-40 to 185°F)

Storage Temperature: -40 to 85°C (-40 to 185°F)

Ambient Relative Humidity: 5 to 95% (non-condensing)

Standards and Certifications

Safety: UL 60950-1, TÜV

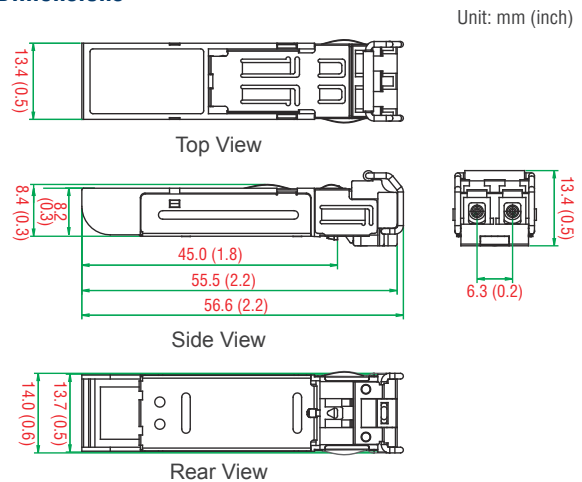
Marine: DNV, GL, LR, NK

Warranty

Warranty Period: 5 years

Details: See www.moxa.com/warranty

Dimensions



Ordering Information

Available Models	Port Interface			
	Wide Temperature (-40 to 85°C)	100BaseFX, Multi-mode, LC Connector, 4 km	100BaseFX, Single-mode, LC Connector, 40 km	100BaseFX, Single-mode, LC Connector, 80 km
SFP-1FEMLC-T		1	-	-
SFP-1FESLC-T		-	1	-
SFP-1FELLC-T		-	-	1

Available Models

The SFP-1FE series modules can be used with the following products:

IM-G7000A-4GSFP, IM-G7000-4GSFP, ICS-G7826A/ G7828A series, ICS-G7826/G7828 series, ICS-G7526A/G7528A series, ICS-G7526/G7528 series, IKS-G6524A/G6824A series, IKS-G6524/G6824 series, IKS-G726A/G728A series, IKS-G726/G728 series, IM-6700A-8SFP, IM-6700-8SFP, EDS-611/619 series, EDS-G516E series, EDS-G512E series, EDS-G509 series, EDS-510E series, EDS-G308-2SFP, EDS-210A series, IKS-G728A-8PoE series, IKS-G728-8PoE series, EDS-P510A-8PoE series, EDS-P510 series, PM-7200-8SFP, EDR-G903/G902 series, PT-7528 series, PT-G7509 series, PM-7500-2GTXSFP, PM-7500-4GTXSFP

Package Checklist

- SFP-1FE module
- Warranty card