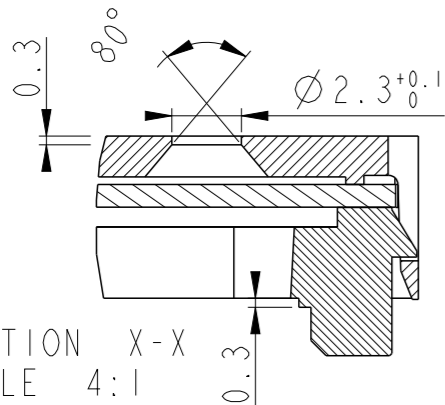
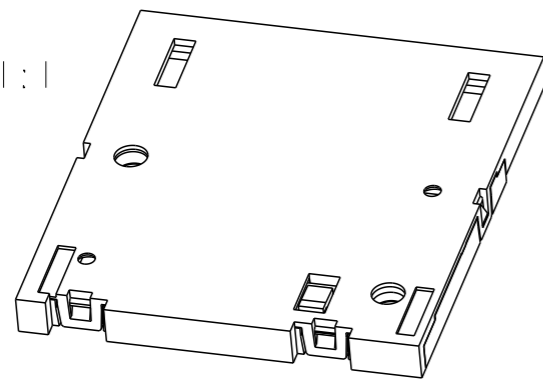
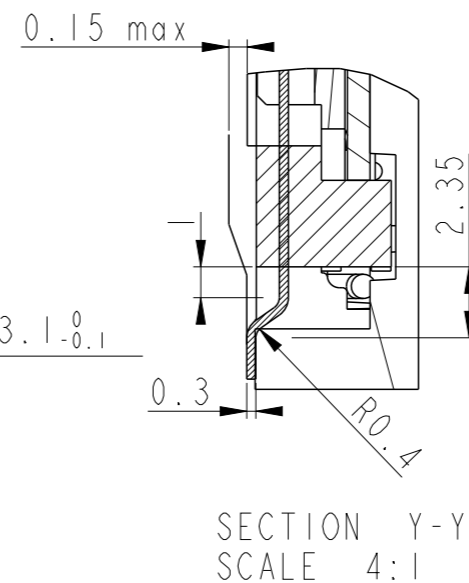
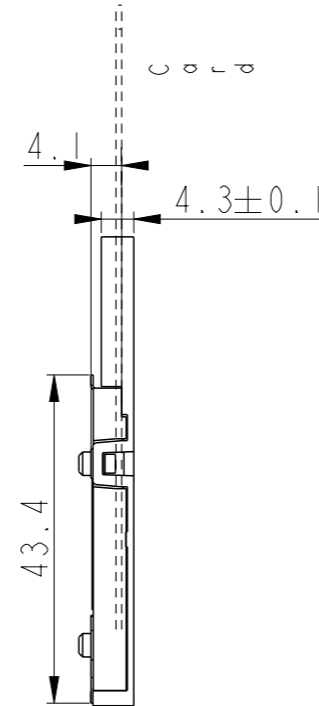
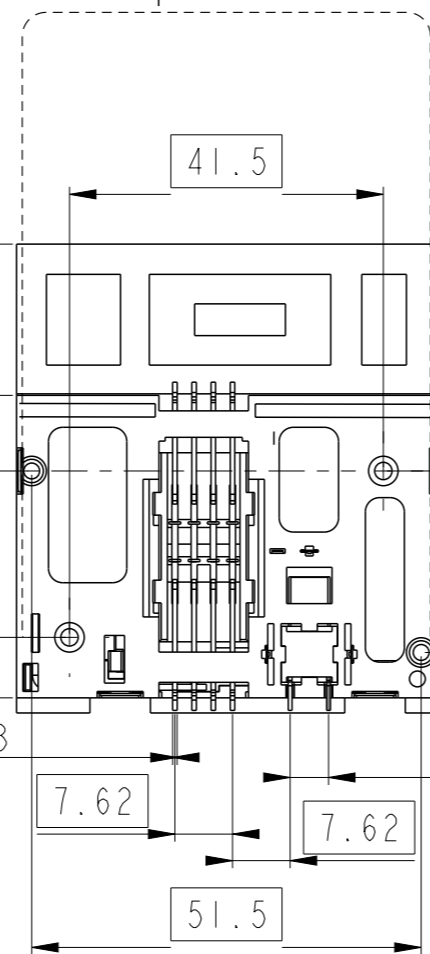
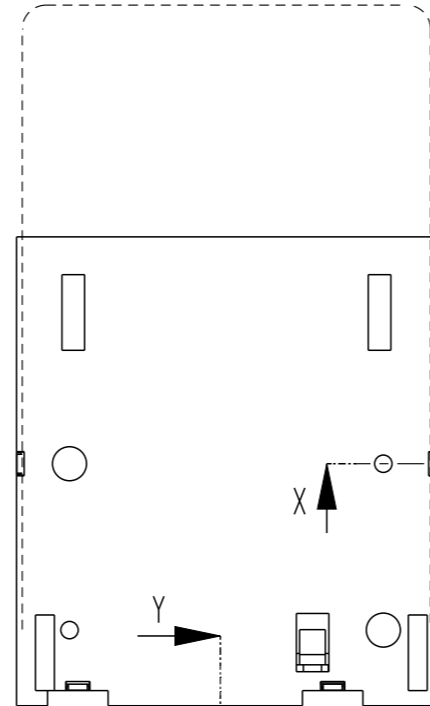
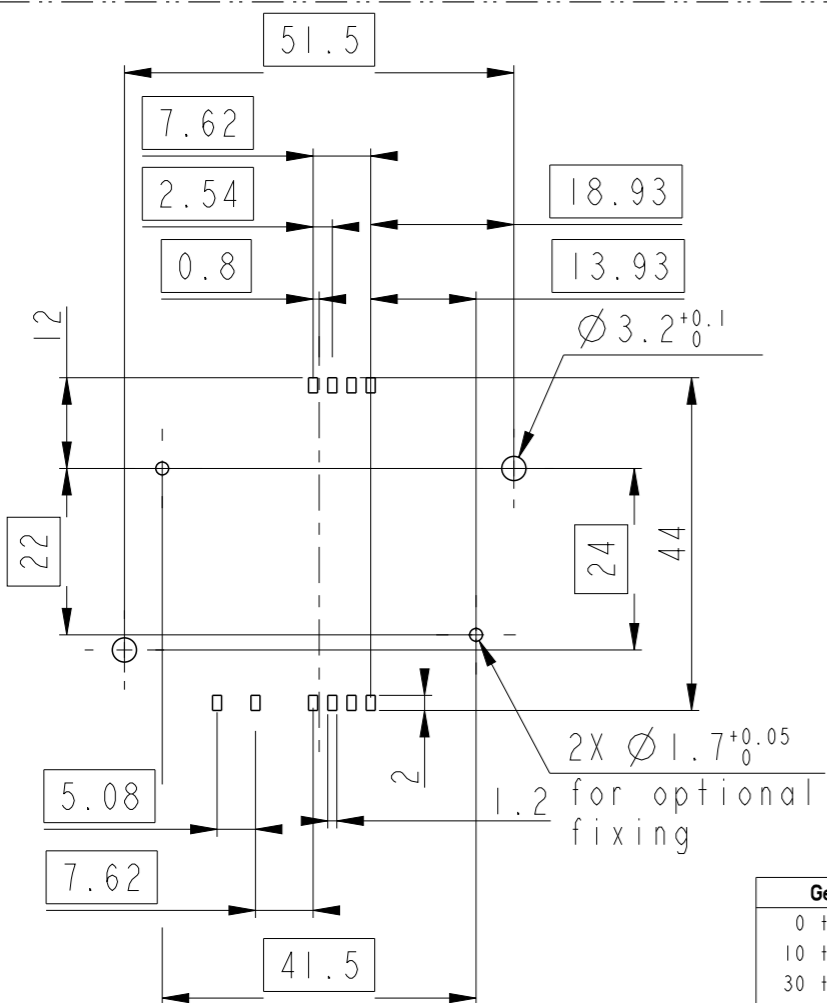


PART NUMBER 7312E0525S01LF

SCALE 1:1



Recommended PCB Layout
(Component side)



GENERAL :

High cycle life duration smart card connector with landing type contacts mechanism. The landing type connector also provides the feature of recessed contacts when card is not inserted which protects them against vandalism. Smart card for reference purposes only.

ELECTRICAL PROPERTIES:

Insulation resistance : > 1000MΩ
Dielectric withstanding voltage : >750 Vrms
Current carrying capacity : Min 10µA, Max 1A
Contact resistance : < 100mΩ

MECHANICAL PROPERTIES :

Operating force : Insertion : F < 10N
Withdrawal : 1 < F < 10N
Contact Normal force : 0.2 < F < 0.3 for 0.6mm of deflection
Durability : 200 000 mating cycles

MATERIAL :

Head reader : High temp. Thermoplastic, Colour Black, Rated UL94V0
Cover : Thermoplastic, Colour black, Rated UL94V0
Contacts : Copper alloy,
Plating : 2.5µm Nickel min. all over
2µm Gold min. or equivalent on contact area
3µm matte tin min. on solder tails (for lead free version)

ENVIRONMENT :

Operating temperature : -40°C / +85°C
Climatic conditions : UTE 93-421

PACKAGING :

READER: Plastic Cavity Tray
COVER : Separately in SACHET 400x600
240cnrs/box, 120cnrs/sachet

LEAD FREE VERSION :

"This product meets European Union Directives and other country regulations as described in GS-47-0004"

The reader housing (not cover) will withstand exposure to 260°C peak temperature for 10seconds in a convection reflow oven.

spec ref	--	dr	P-Mathew Nebu	2011/05/04	projection	mm	size	A3	scale	1:1	
tolerance std	ISO 406 ISO 1101	eng	Ashok, Abhiman	2018/07/20			ecn no	ELX-I-30746-1			
	TOLERANCES UNLESS OTHERWISE SPECIFIED	chr	-	product family			MOBILE I/O	rel level	Released		
surface	ISO 1302	appr	K-Paul Biju	2018/07/20			part no	8 POS. SMT E05 WITH PEGS		rev	H
	linear			cat. no.	See Table	Product - Customer Drw	dwg no	VJW53787		sheet	1 of 1
	angular										

General Tolerances	
0 to 10mm:	±0.1mm
10 to 30mm:	±0.15mm
30 to 60mm:	±0.2mm
60 and more:	±0.3mm