

AVAILABLE THROUGH DISTRIBUTION



**BOURNS®**

# TC89 9 mm Round Trimming Potentiometer

## Features

- 9 mm Round / Single-Turn / Cermet Industrial / Open Frame
- Both sides adjust
- Horizontal and vertical mounting styles
- Dust resistant/splash resistant covers
- PC board stand-offs
- RoHS compliant\*

OBSOLETE

### Electrical Characteristics

Standard Resistance Range .....100 ohms to 1 megohm  
 (see standard resistance table)  
 Resistance Tolerance .....±20 % std.  
 Absolute Minimum Resistance  
 ≤500 Ohms .....10 ohms max.  
 >500 Ohms .....2 % max. of TR  
 Contact Resistance Variation .....5 % max.  
 Resolution .....Infinite  
 Adjustment Angle .....270 ° ±15 °

### Environmental Characteristics

Power Rating (250 VDC max.)  
 70 °C .....0.5 watt  
 Temperature Range.....-30 °C to +100 °C  
 Temperature Coefficient .....±250 ppm/°C  
 Humidity .....95 % RH  
     TRS ±5 %  
 Load Life.....500 hours @ 70 °C  
     TRS ±5 %  
 Rotational Cycling.....50 cycles  
     TRS ±10 %

### Physical Characteristics

Torque .....50-350 gf-cm  
 Mechanical Angle .....270 ° ±15 °  
 Marking.....Part marking code  
 Standard Packaging .....200 pcs./bag  
 Adjustment Tool .....H-90  
 Aqueous cleaning not recommended

### Standard Resistance Table

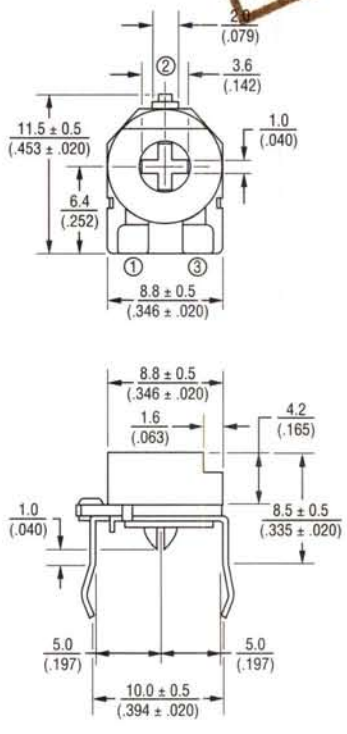
Resistance (Ohms)	Resistance Code
<b>100</b>	<b>101</b>
<b>200</b>	<b>201</b>
<b>500</b>	<b>501</b>
<b>1,000</b>	<b>102</b>
<b>2,000</b>	<b>202</b>
<b>5,000</b>	<b>502</b>
<b>10,000</b>	<b>103</b>
<b>20,000</b>	<b>203</b>
<b>50,000</b>	<b>503</b>
<b>100,000</b>	<b>104</b>
<b>200,000</b>	<b>204</b>
<b>500,000</b>	<b>504</b>
<b>1,000,000</b>	<b>105</b>

Popular distribution resistance values listed in **boldface**.

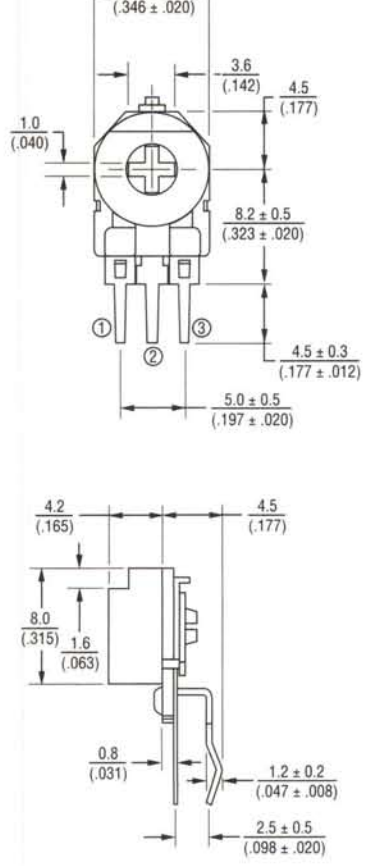
Specifications are subject to change without notice.  
 \*RoHS Directive 2002/95/EC Jan 27 2003 including Annex.  
 Customers should verify actual device performance in their specific applications. REV 09/04

### Product Dimensions

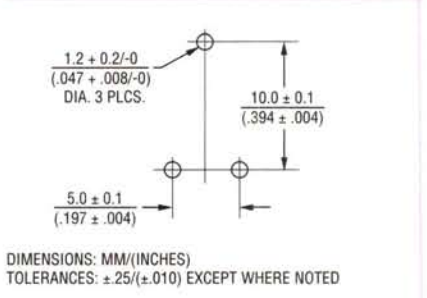
Top Adjust  
TC89P



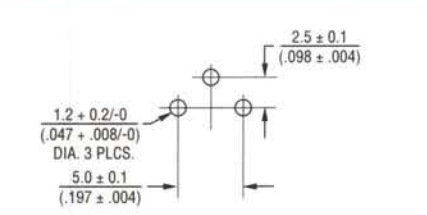
Side Adjust  
TC89W



### Suggested PCB Layout



### Suggested PCB Layout



### How To Order

TC89 P - 1 - 103

Model \_\_\_\_\_  
 Style \_\_\_\_\_  
 Standard Product Indicator \_\_\_\_\_  
 Resistance Code \_\_\_\_\_

