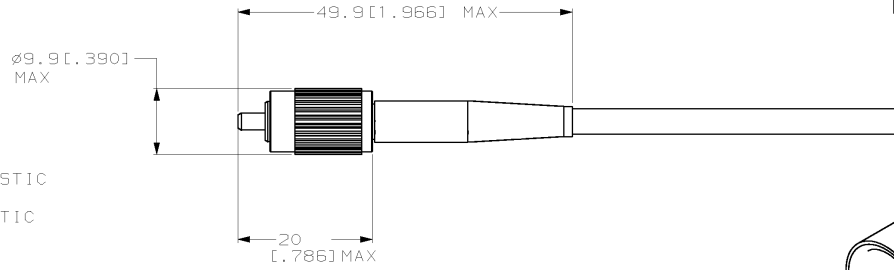


| LOC | DIST | REVISIONS | | | | | |
|-----|------|-----------|-----|----------------------|---------|-----|------|
| CE | 16 | P | LTR | DESCRIPTION | DATE | OWN | APVD |
| | | F | | REV PER 0A00-0589-03 | 07MAY04 | KG | SB |

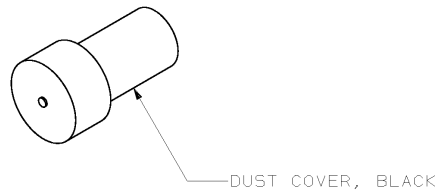
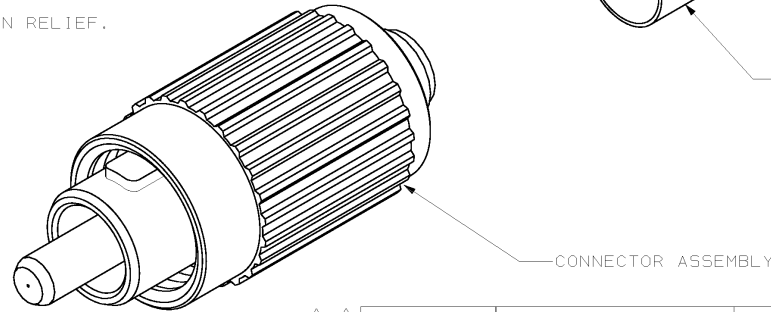
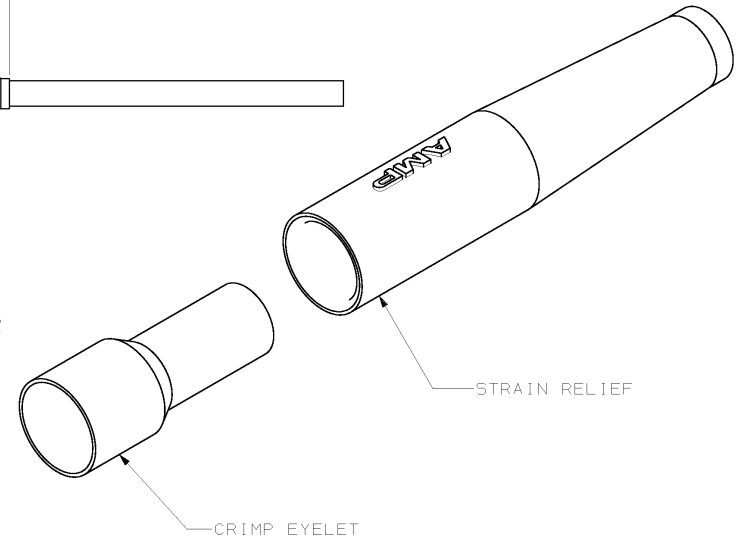
- 1 MATERIAL:
 COUPLING NUT: BRASS
 PLUG BODY: THERMOPLASTIC
 INTERNAL BODY: THERMOPLASTIC
 SPRING: STAINLESS STEEL
 FERRULE BASE: THERMOPLASTIC
 FERRULE: CERAMIC
 CRIMP EYELET: COPPER
 STRAIN RELIEF: THERMOPLASTIC ELASTOMER
 DUST COVER: THERMOPLASTIC

- 2 FINISH:
 COUPLING NUT: ELECTROLESS NICKEL
 CRIMP EYELET: BRIGHT TIN

- 3 BULK PACKAGE, 500 PIECES.
 4. TO BE USED WITH 3.0mm "LOOSE-JACKETED" CABLE.
 5 CONTAINS NO EYELET OR STRAIN RELIEF.



ASSEMBLED CONNECTOR



| OBsolete | OBsolete | OBsolete | OBsolete | OBsolete |
|---------------------|----------|--------------------|--|-------------|
| - | BLUE | BLUE | 126 $\begin{smallmatrix} +1 \\ -0 \end{smallmatrix}$ μ m | 504649-9 |
| 3 BLUE | BLUE | BLUE | 126 $\begin{smallmatrix} +1 \\ -0 \end{smallmatrix}$ μ m | 504649-8 |
| 3 BLUE | NATURAL | BLUE | 125 $\begin{smallmatrix} +1 \\ -0 \end{smallmatrix}$ μ m | 504649-7 |
| 3 YELLOW | BLUE | BLUE | 126 $\begin{smallmatrix} +1 \\ -0 \end{smallmatrix}$ μ m | 504649-6 |
| 3 YELLOW | NATURAL | BLUE | 125 $\begin{smallmatrix} +1 \\ -0 \end{smallmatrix}$ μ m | 504649-5 |
| 3 YELLOW | BLUE | BLUE | 126 $\begin{smallmatrix} +1 \\ -0 \end{smallmatrix}$ μ m | 504649-4 |
| 3 YELLOW | NATURAL | BLUE | 125 $\begin{smallmatrix} +1 \\ -0 \end{smallmatrix}$ μ m | 504649-3 |
| 3 BLUE | BLUE | BLUE | 126 $\begin{smallmatrix} +1 \\ -0 \end{smallmatrix}$ μ m | 504649-2 |
| 3 BLUE | NATURAL | BLUE | 125 $\begin{smallmatrix} +1 \\ -0 \end{smallmatrix}$ μ m | 504649-1 |
| STRAIN RELIEF COLOR | | FERRULE BASE COLOR | FERRULE HOLE SIZE | PART NUMBER |

| | | | |
|--|---|---|---|
| THIS DRAWING IS A CONTROLLED DOCUMENT FOR AMP INCORPORATED. IT IS SUBJECT TO CHANGE AND THE CONTROLLING ENGINEERING ORGANIZATION SHOULD BE CONTACTED FOR THE LATEST REVISIONS. | | DATE: 7-21-95 BY: B. BRIGGS CHECKED: B. PARKER APPROVED: D. STAKEM | AMP Incorporated Harrisburg, PA 17105-3608 |
| DIMENSIONS: mm (INCHES) | TOLERANCES (UNLESS OTHERWISE SPECIFIED): 0 PLC ±.0 1 PLC ±.05 2 PLC ±.1 3 PLC ±.15 4 PLC ±.2 ANGLES ±.5 FINISH - | PRODUCT SPEC: - APPLICATION SPEC: - WEIGHT: - | SIZE: A2 CASE CODE: 00779 DRAWING NO: C-504649 SCALE: NTS SHEET: 1 OF 1 REV: F |
| MATERIAL: 1 | | CUSTOMER DRAWING | |