

P	LTR	DESCRIPTION	DATE	DWN	APVD
	B	REVISED PER ECN-23-218090	30 JUN 2023	LP	RL

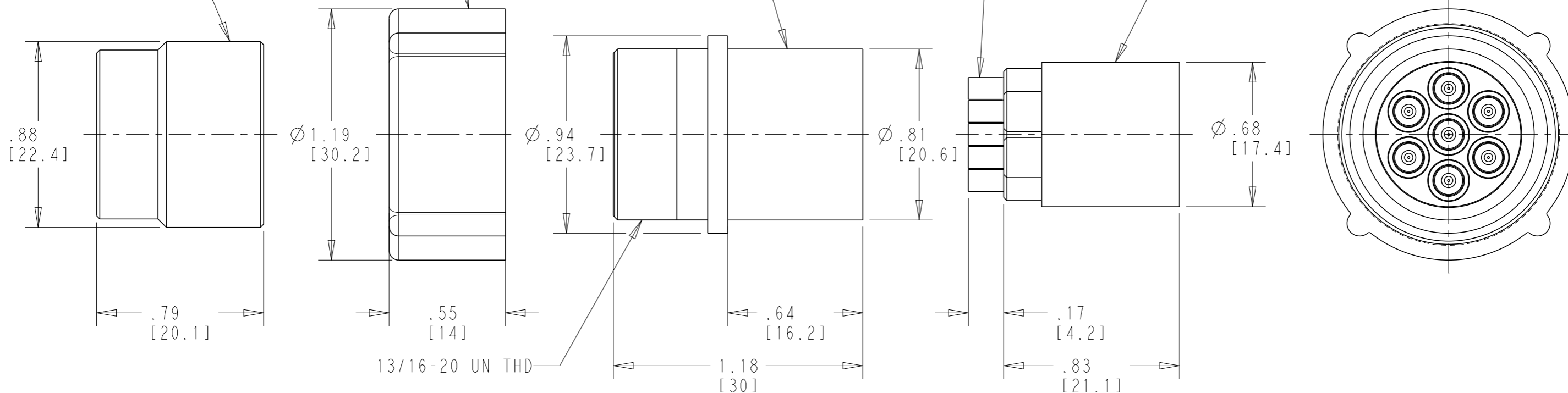
HOUSING
MAT'L: POLYESTER
MLDG. CMPD.

CAP
MAT'L: POLYESTER
MLDG. CMPD.

HOUSING
MAT'L: POLYESTER
MLDG. CMPD.

SOLDER CUP
16 AWG MAX

SLUG
MAT'L: SEE TABLE



NO CAP $\triangle 1$	FLUROELASTOMER COMPOUND	865594-3
--	FLUROELASTOMER COMPOUND	865594-2
--	SILICONE RUBBER	865594-1
REMARKS	SLUG MATERIAL	PART NUMBER

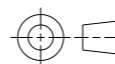
NOTES:

$\triangle 1$ PRELIMINARY - NOT RELEASED FOR PRODUCTION

THIS DRAWING IS A CONTROLLED DOCUMENT.

DIMENSIONS:

in



TOLERANCES UNLESS OTHERWISE SPECIFIED:

0 PLC	$\pm .$
1 PLC	$\pm .$
2 PLC	$\pm .03$
3 PLC	$\pm .015$
4 PLC	$\pm .$
ANGLES	$\pm .$

MATERIAL
SEE CALLOUTS

FINISH

DWN 08MAY2023

L. PROSPER

CHK 08MAY2023

R. LACUESTA

APVD 08MAY2023

R. LACUESTA

PRODUCT SPEC

-

APPLICATION SPEC

-

WEIGHT

-

CUSTOMER DRAWING

NAME
PLUG KIT, 7 PIN MINIATURE, LGH

-

SIZE CAGE CODE DRAWING NO RESTRICTED TO

A3 00779 C-865594 -

STE TE Connectivity

SCALE 2:1 SHEET 1 OF 1 REV B