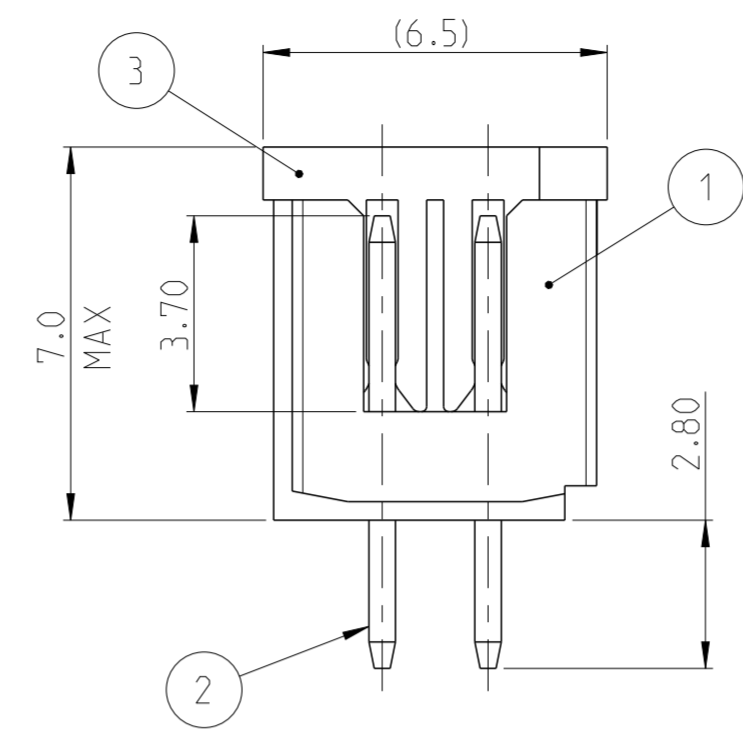
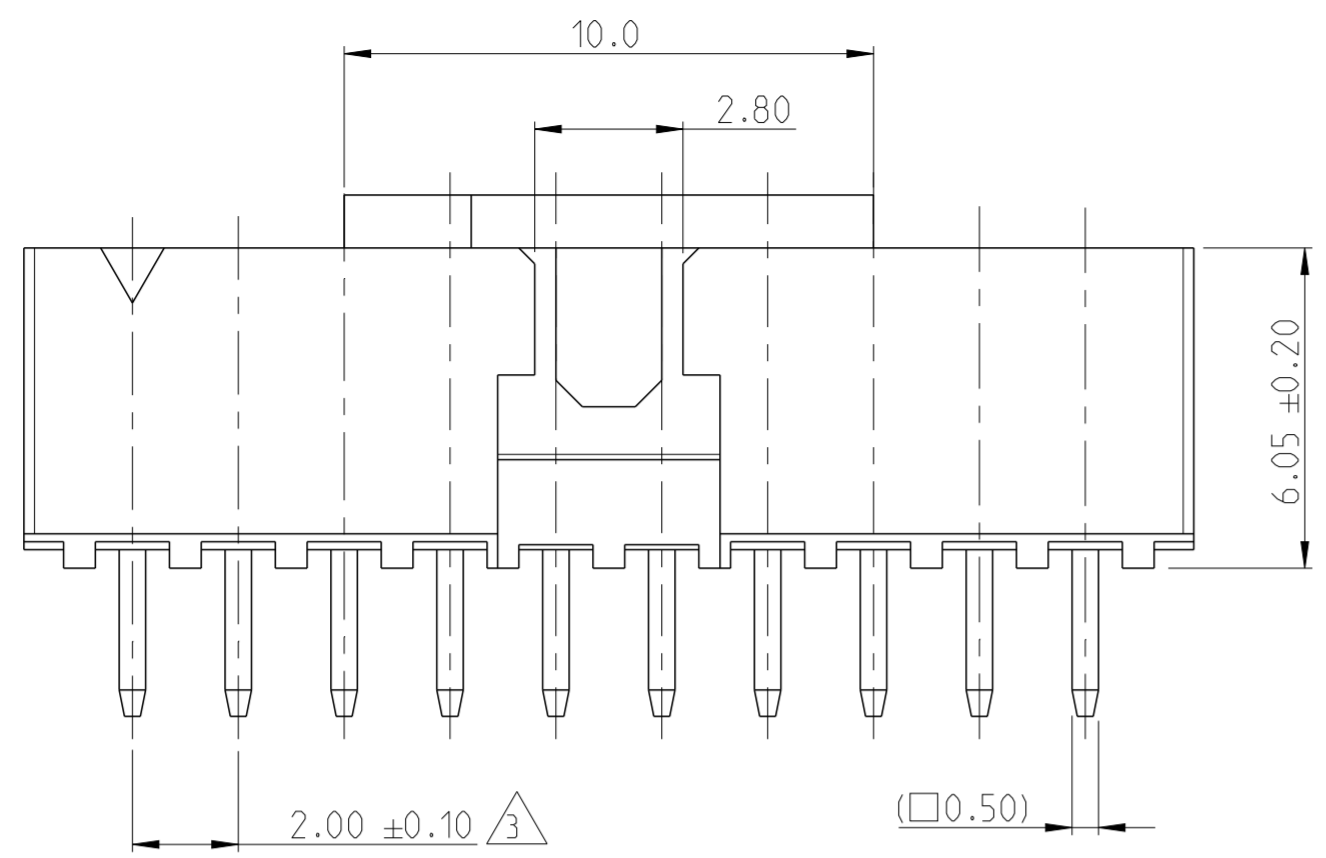
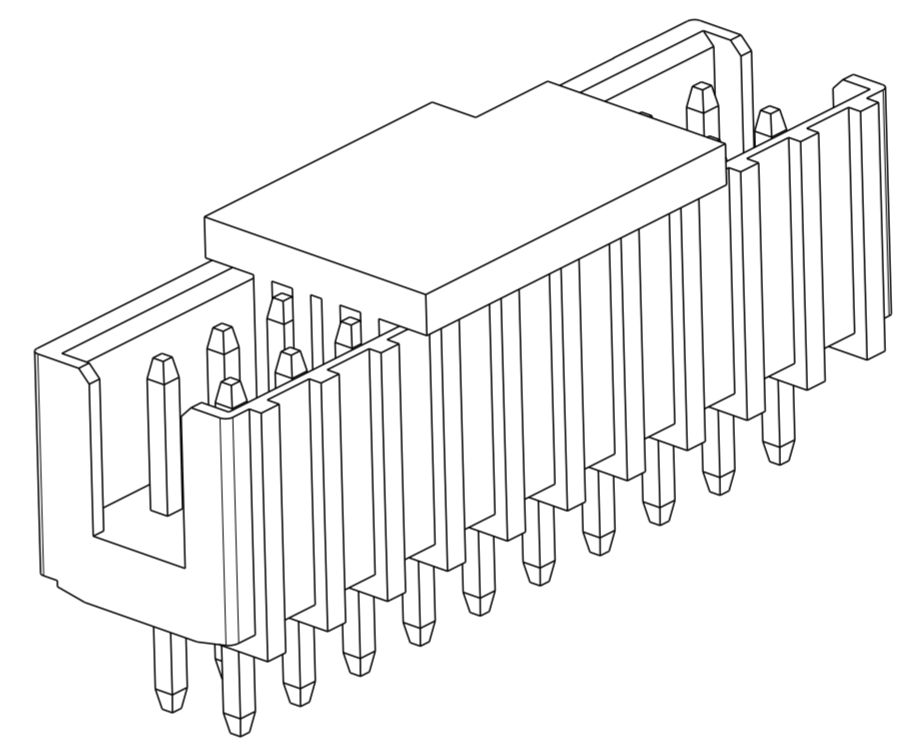
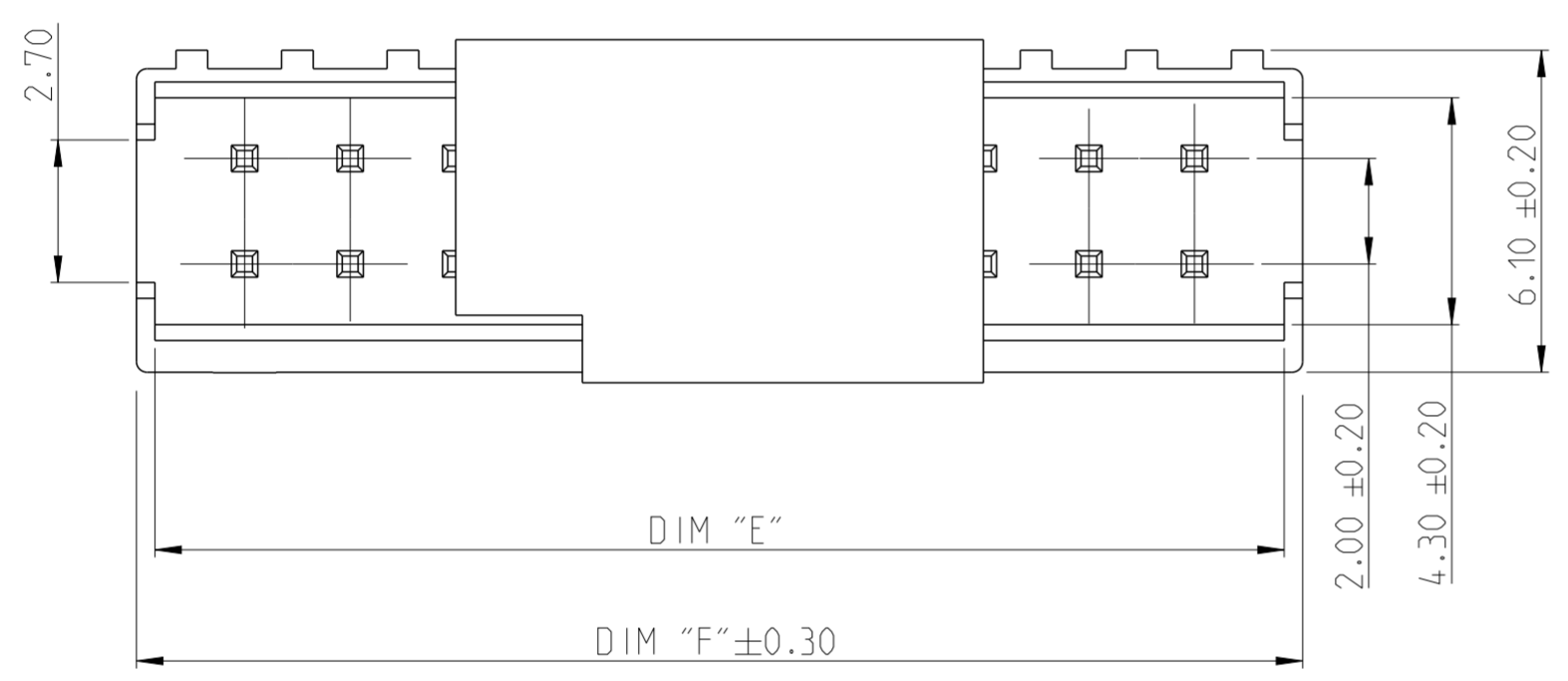


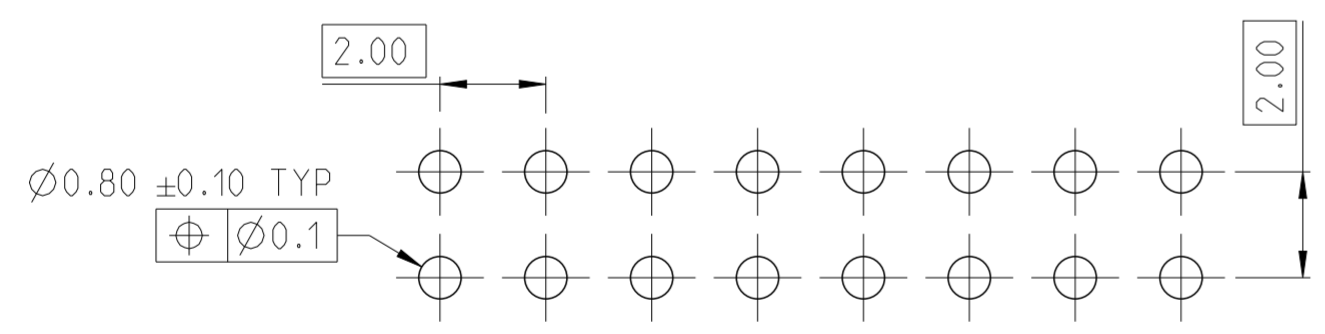
REVISIONS				
P	LTR	DESCRIPTION	DATE	APVD
A		RELEASE TO PRODUCTION	09DEC2019	AY PS
A1		REMOVE POSITION 4, 6 AND 8	04JUN2020	AY PS



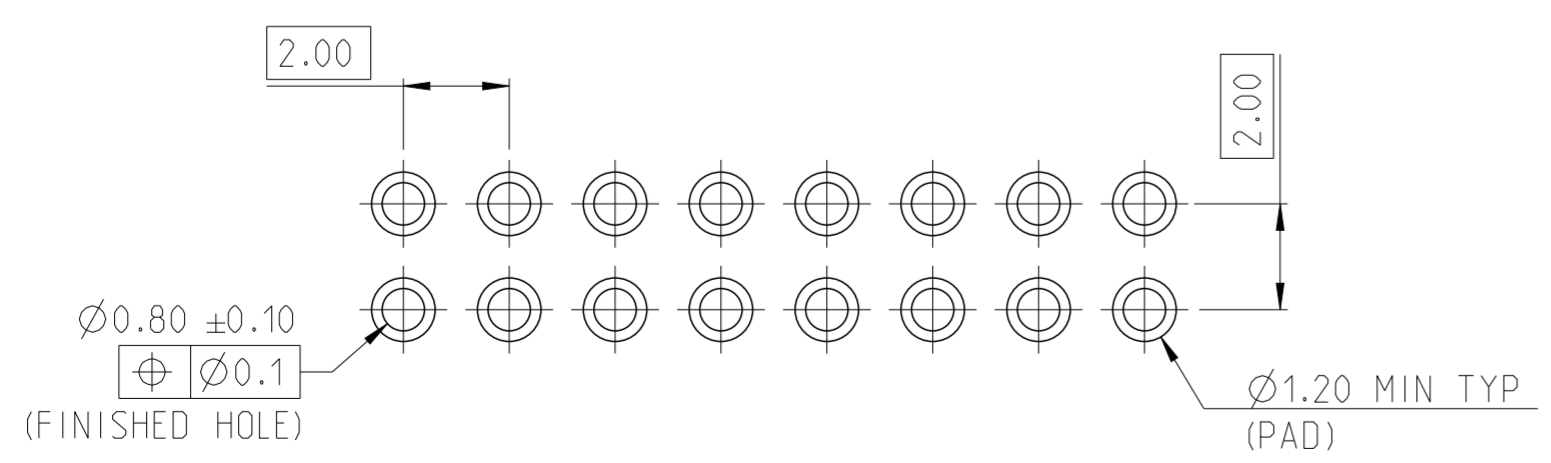
NOTES:  
 1. MATERIAL  
 HOUSING & P&P CAP : HIGH TEMPERATURE THERMOPLASTIC, UL94-V0; COLOR- BLACK  
 POST : COPPER ALLOY  
 FINISH :  
 MATING SIDE: MIN. 0.76 μm GOLD OVER NICKEL UNDER PLATING.  
 SOLDER SIDE: MIN. 2.0 μm TIN OVER NICKEL UNDER PLATING.  
 2. PACKAGING: TUBE (WITH PICK AND PLACE CAP)  
 TOLERANCE NOT CUMULATIVE.



52.10	51.40	50	5-2842288-0
50.10	49.40	48	4-2842288-8
48.10	47.40	46	4-2842288-6
46.10	45.40	44	4-2842288-4
44.10	43.40	42	4-2842288-2
42.10	41.40	40	4-2842288-0
40.10	39.40	38	3-2842288-8
38.10	37.40	36	3-2842288-6
36.10	35.40	34	3-2842288-4
34.10	33.40	32	3-2842288-2
32.10	31.40	30	3-2842288-0
30.10	29.40	28	2-2842288-8
28.10	27.40	26	2-2842288-6
26.10	25.40	24	2-2842288-4
24.10	23.40	22	2-2842288-2
22.10	21.40	20	2-2842288-0
20.10	19.40	18	1-2842288-8
18.10	17.40	16	1-2842288-6
16.10	15.40	14	1-2842288-4
14.10	13.40	12	1-2842288-2
12.10	11.40	10	1-2842288-0
DIM "F"	DIM "E"	POS.	TE PN.



RECOMMENDED PCB HOLE PATTERN FOR THROUGH HOLE WAVE



RECOMMENDED PCB HOLE PATTERN FOR THROUGH HOLE REFLOW/PIN-IN-PASTE

2-2842288-0 AS SHOWN

DESCRIPTION	ITEM NO.
PICK AND PLACE CAP	3
CONTACT PIN	2
HOUSING	1

THIS DRAWING IS A CONTROLLED DOCUMENT.		DWN ANKIT YADAV 11NOV2019	 TE Connectivity
		CHK KARTHIK JK 25NOV2019	
		APVD PRASHANTH S. 27NOV2019	
		NAME AMPMODU 2mm SHROUDED HEADER DUAL ROW, VERTICAL TH. 0.76 Au, TUBE, WITH PICK AND PLACE CAP	
DIMENSIONS: mm	TOLERANCES UNLESS OTHERWISE SPECIFIED:	PRODUCT SPEC 108-64040	SIZE A2
	0 PLC ±	APPLICATION SPEC 114-32259	CAGE CODE 00779
	1 PLC ±	WEIGHT -	DRAWING NO C-2842288
	2 PLC ±0.25		RESTRICTED TO -
	3 PLC ±		SCALE 5:1
	4 PLC ±		SHEET 1 OF 1
	ANGLES ±2°		REV A1
MATERIAL SEE NOTES	FINISH SEE NOTES	CUSTOMER DRAWING	