

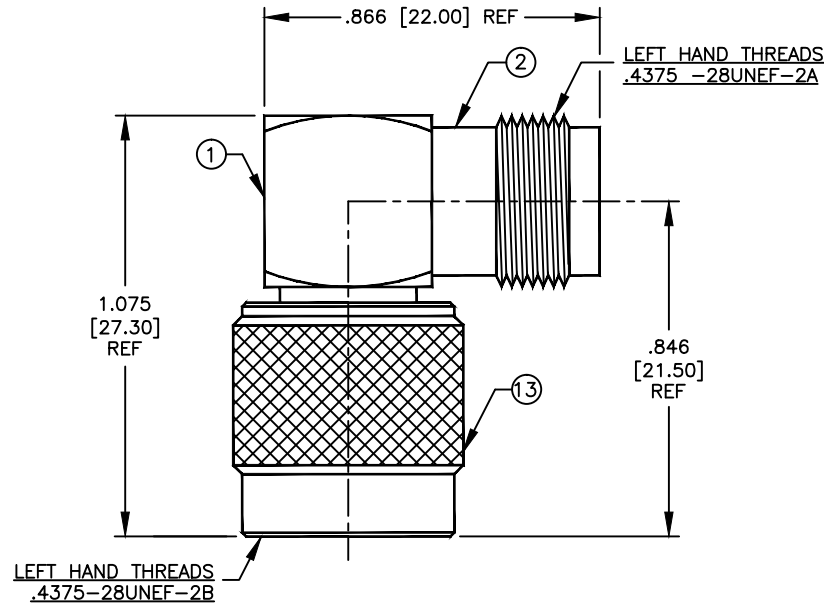
# SPECIFICATION CONTROL DRAWING

THIS DRAWING CONTAINS INFORMATION PROPRIETARY TO RF INDUSTRIES, LTD. ANY UNAUTHORIZED USE OF THIS DRAWING IS EXPRESSLY PROHIBITED. ANY VIOLATION IS PUNISHABLE UNDER U.S. COPYRIGHT LAWS.

REV	DESCRIPTION	DWN	DATE	APPROVED
A	ENGINEERING RELEASE	CZS	8/5/99	R. RICE

ALL DIMENSIONS ARE REFERENCE ONLY

008974



## SPECIFICATIONS:

IMPEDANCE: 50 OHMS  
 WORKING VOLTAGE: 500 VRMS @ SEA LEVEL  
 FREQUENCY RANGE: 0-7 GHZ

ITEM	DESCRIPTION	QTY	MATERIAL	FINISH
13	SHELL	1	BRASS	NICKEL
12	COVER	1	BRASS	NICKEL
11	WASHER	1	BRASS	NICKEL
10	RING	1	DELTRIN	NONE
9	LOCK RING	1	BRASS	NICKEL
8	RETAINING RING	1	BRASS	NONE
7	GASKET	1	S.I. RUBBER	RED
6	DIELECTRIC	1	PTFE	NONE
5	DIELECTRIC	1	PTFE	NONE
4	PIN	1	BRASS	GOLD
3	CONTACT	1	PHOS BRONZE	GOLD
2	PRESS FIT BODY	1	BRASS	NICKEL
1	BODY	1	BRASS	NICKEL

DIMENSIONS ARE IN INCHES AND [MILLIMETERS]

UNLESS OTHERWISE NOTED TOLERANCES ARE:  
 DECIMALS DIAMETER

DRAWN C. ZUNIGA 8/5/99

CHECKED

ORJ DRAWN C. ZUNIGA 8/5/99

APPROVALS DATE

**RFconnectors**  
 DIVISION OF RF INDUSTRIES, LTD.

7610 MIRAMAR RD  
 SAN DIEGO, CA 92126  
 (858) 549-6340  
 (858) 549-6345 FAX

RT-1227  
 TNC MALE TO TNC FEMALE R/A ADAPTER  
 LEFT HAND THREADS BOTH ENDS

SIZE	CABLE GROUP	DWG NO.	REV
A	N/A	9219	A

SCALE: 2:1 CAD FILE 13ARC B SHEET 1 OF 1