



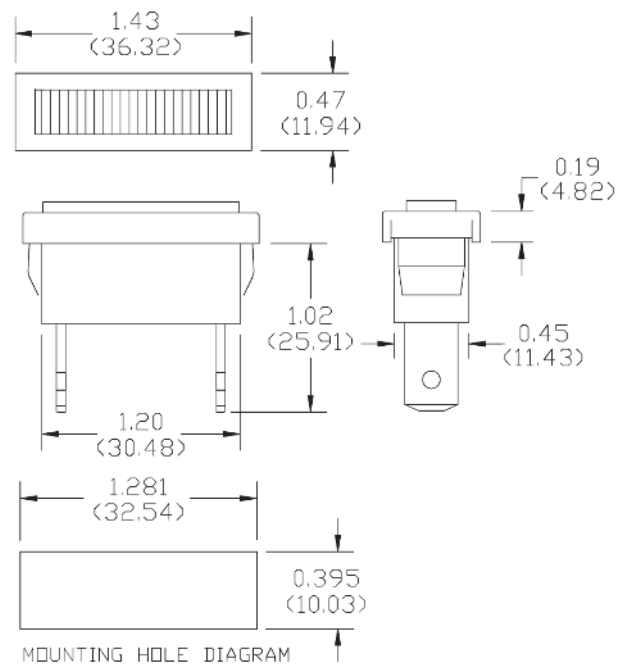
31 Series Snapfit Indicator Lights for 1.281" x 0.395" (32.54mm x 10.03mm) Mounting Hole

Zinc plated bezel, white nylon housing, neon or incandescent lights

Overview

The 31 Series rectangular indicators feature a wide variety of lens colors and voltage options. Indicator lights quickly snap fit into a 1.281" x 0.395" (32.54mm x 10.03mm mounting hole. Recommended panel thickness range from 0.020" (0.5mm) minimum to 0.090" (2.3mm) maximum. Lenses may be customized with stamped message. Contact your customer service representative for specific ordering information.

- rectangular indicator lights for 1.281" x 0.395" (32.54mm x 10.03mm) mounting hole
- 0.250" (6.35mm) tab terminals
- neon or incandescent indicator lights
- variety of lens colors
- UL Listed
- UL File E20356



Specifications

Housing: white nylon. A black housing is available.

Bezel: zinc plated steel. A black anodized bezel is available.

Lens: polycarbonate. Lenses may be customized with stamped message.

Incandescent AC or DC voltage options: 6, 14 and 28 volts.

Neon AC or DC voltage options: 125 and 250 volts.

Note: high brightness green and blue neon lamps supplied in green and blue neon applications.

Terminals: 0.250" (6.35mm) tabs: brass, (.250" (6.35mm) length x 0.030" (.76mm)) thick.



31 Series Snapfit Indicator Lights

Zinc plated bezel, white nylon housing, neon or incandescent lights

Ordering Specifications

Part Number	Lens Color	Lamp Type	Design Volts	Design Watts or Amps	Life (hrs)
31-2111T	Red	Neon	125	1/3W	25,000
31H-2111T	Red	Neon	250	1/3W	25,000
31G1-2111T	Red	Incandescent	6	.20A	5,000
31G3-2111T	Red	Incandescent	14	.10A	10,000
31G18-2111T	Red	Incandescent	28	.04A	7,000
31-2112T	Green	Neon	125	1/3W	25,000
31H-2112T	Green	Neon	250	1/3W	25,000
31G1-2112T	Green	Incandescent	6	.20A	5,000
31G3-2112T	Green	Incandescent	14	.10A	10,000
31G12-2112T	Green	Incandescent	28	.04A	7,000
31-2113T	Amber	Neon	125	1/3W	25,000
31H-2113T	Amber	Neon	250	1/3W	25,000
31G1-2113T	Amber	Incandescent	6	.20A	5,000
31G3-2113T	Amber	Incandescent	14	.10A	10,000
31G18-2113T	Amber	Incandescent	28	.04A	7,000
31-2114T	Blue	Neon	125	1/3W	25,000
31H-2114T	Blue	Neon	250	1/3W	25,000
31G1-2114T	Blue	Incandescent	6	.20A	5,000
31G8-2114T	Blue	Incandescent	14	.10A	10,000
31G18-2114T	Blue	Incandescent	28	.04A	7,000
31-2115T	White	Neon	125	1/3W	25,000
31H-2115T	White	Neon	250	1/3W	25,000
31G1-2115T	White	Incandescent	6	.20A	5,000
31G3-2115T	White	Incandescent	14	.10A	10,000
31G18-2115T	White	Incandescent	28	.04A	7,000
31-2117T	Clear	Neon	125	1/3W	25,000
31H-2117T	Clear	Neon	250	1/3W	25,000
31G1-2117T	Clear	Incandescent	6	.20A	5,000
31G3-2117T	Clear	Incandescent	14	.10A	10,000
31G18-2117T	Clear	Incandescent	28	.04A	7,000