

PRODUCT DESCRIPTION CODE :

10144642-1XXK LF

RoHS COMPATIBLE, SEE NOTE 3

FOR CUSTOMER CODE :
BLANK = GENERAL USE

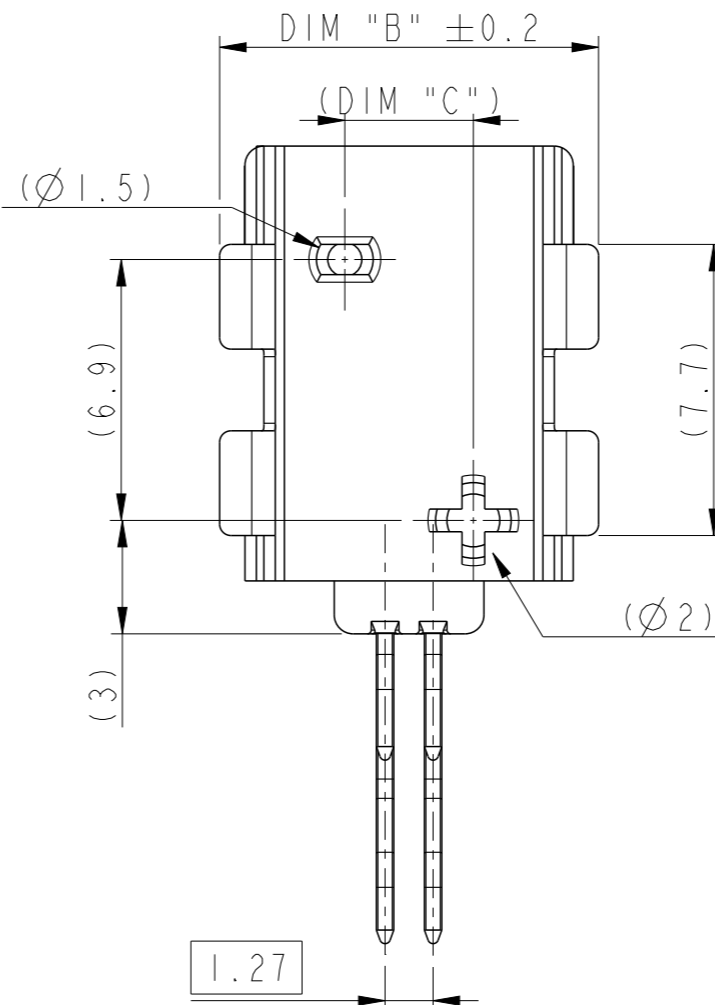
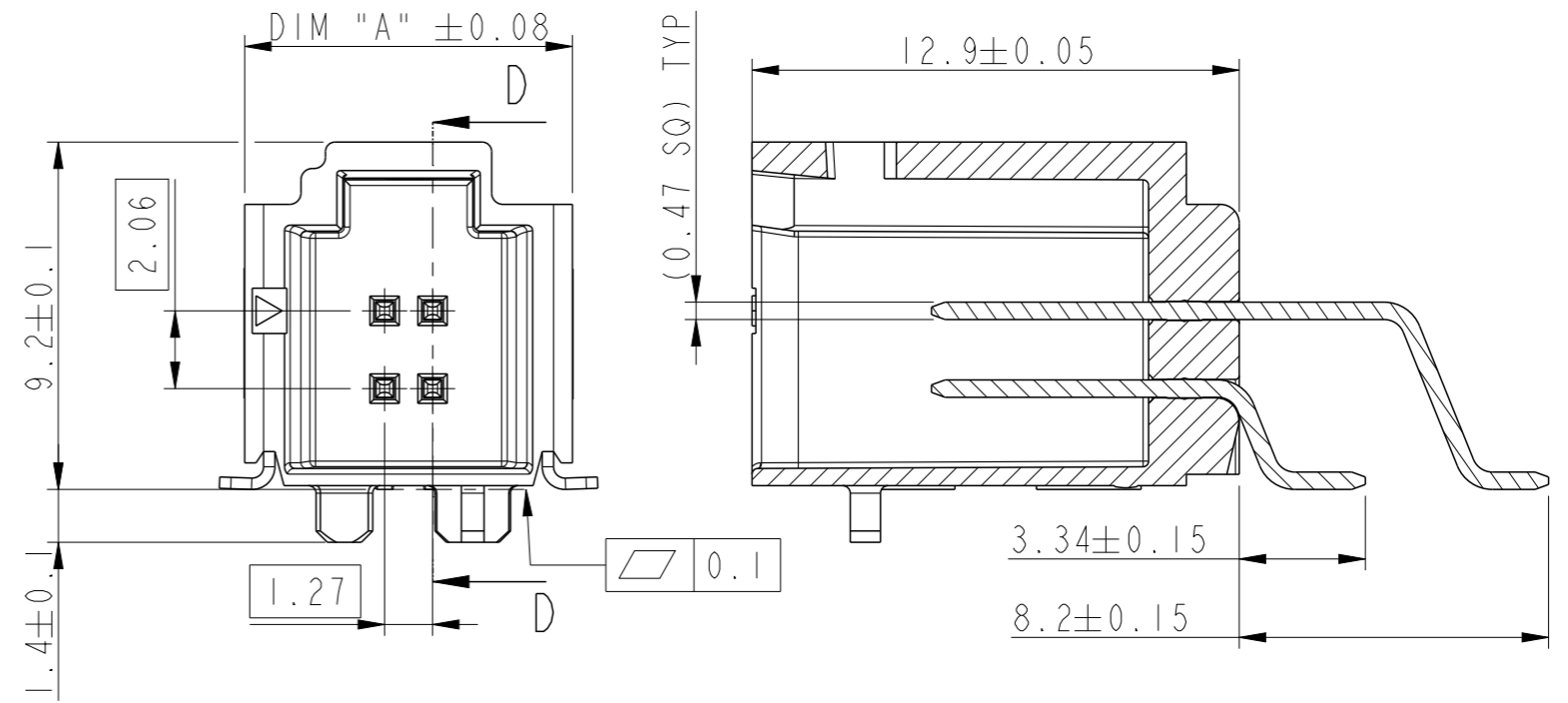
PACKAGING :
K = TAPE & REEL

NUMBER OF POSITIONS : 04 TO 12

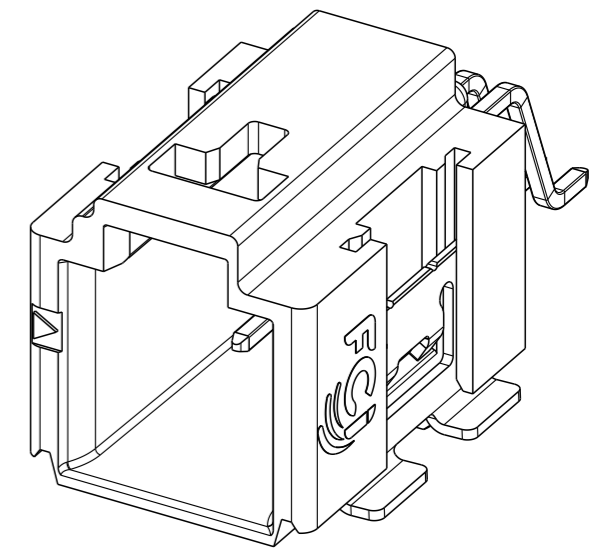
PLATING :
1 = 3µm MIN MATTE TIN (PREPLATED)
2 = 3µm MIN MATTE TIN (POST-PLATED)
3 = 0.76µm MIN GOLD (CONTACT AREA)
ALL OVER 1.27µm MIN NICKEL UNDERLAYER

NOTES:

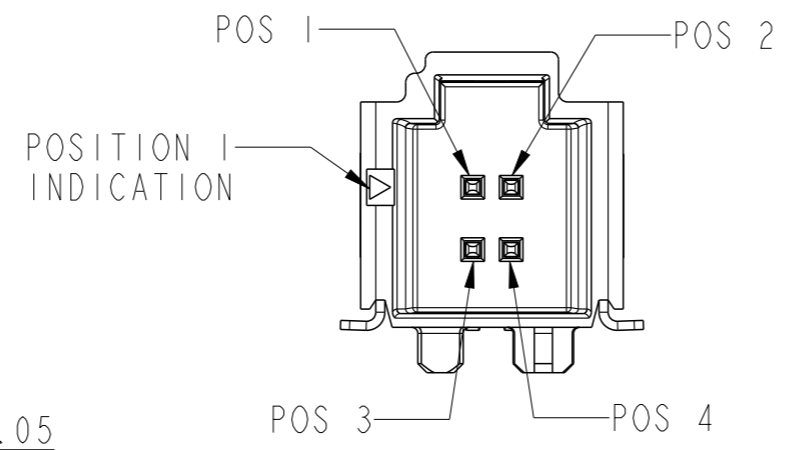
- 1 - MATERIAL:
HOUSING : HIGH TEMPERATURE THERMOPLASTIC
COLOR BLACK UL94 V-0
PIN : HIGH CURRENT COPPER ALLOY
- 2 - TO BE MATED WITH MINITEK µSPACE RECEPTACLE SERIES 10143816
- 3 - RoHS COMPATIBLE PRODUCT SPECIFICATIONS
 - a - PLATING:
"LF" MEANS THE PRODUCT IS LEAD FREE,
3µm MINIMUM MATTE TIN OVER 1.27µm MINIMUM NICKEL UNDERPLATE.
 - b - MANUFACTURING PROCESS COMPATIBILITY:
THE HOUSING WILL WITHSTAND EXPOSURE TO 260°C PEAK TEMPERATURE FOR 30 SECONDS MAX IN A CONVECTION, INFRA-RED OR VAPOR PHASE OR REFLOW OVEN.
 - c - LABELLING :
MEETS PACKAGING SPECS AS PER GS-14-920
 - d - LEGAL STATEMENT :
SEE GS-47-0004.



SECTION D-D

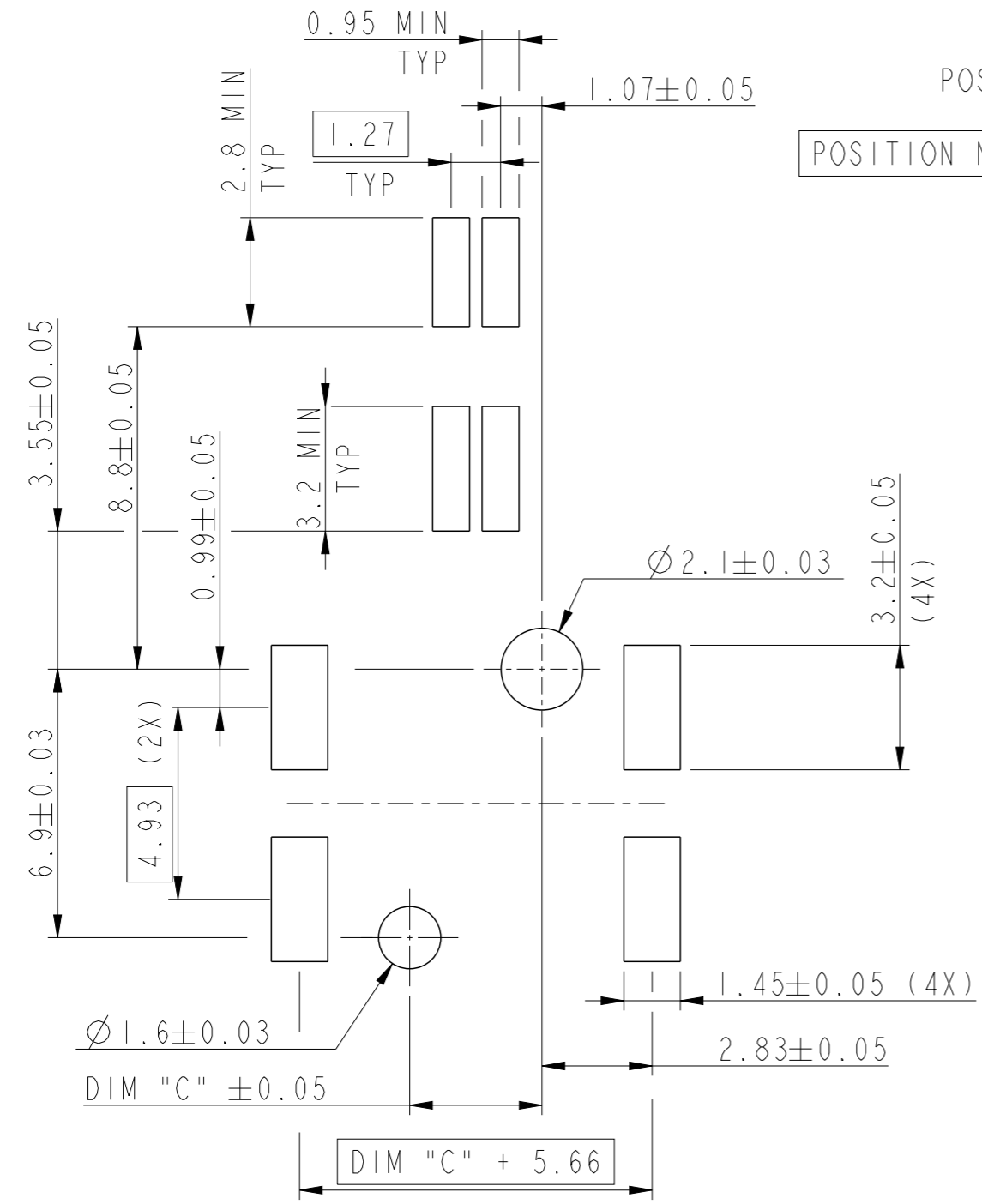


spec ref	-	dr	Sawanth, Ambaa	2018/10/31	projection	mm	size	A3	scale	5:1
tolerance std	ISO 406 ISO 1101	eng	Cyril Jeune	2019/04/05			ecn no	-	rel level	Released
TOLERANCES UNLESS OTHERWISE SPECIFIED		chr	Hyppias, Arnau	2019/04/04						
surface	linear	0.X	±0.3	appr	Beatrice Vial	2019/04/04	product family	-	rel level	Released
		0.XX	±0.10	Amphenol FCI		HEADER ASSEMBLY MINITEK µSPACE STS DR 1.27 TOP LATCH		cat. no. -	Product - Customer Drw	sheet 1 of 2
		0.XXX	±0.05							
	angular	0°	±2°	dwg no	10144642		rev	A		

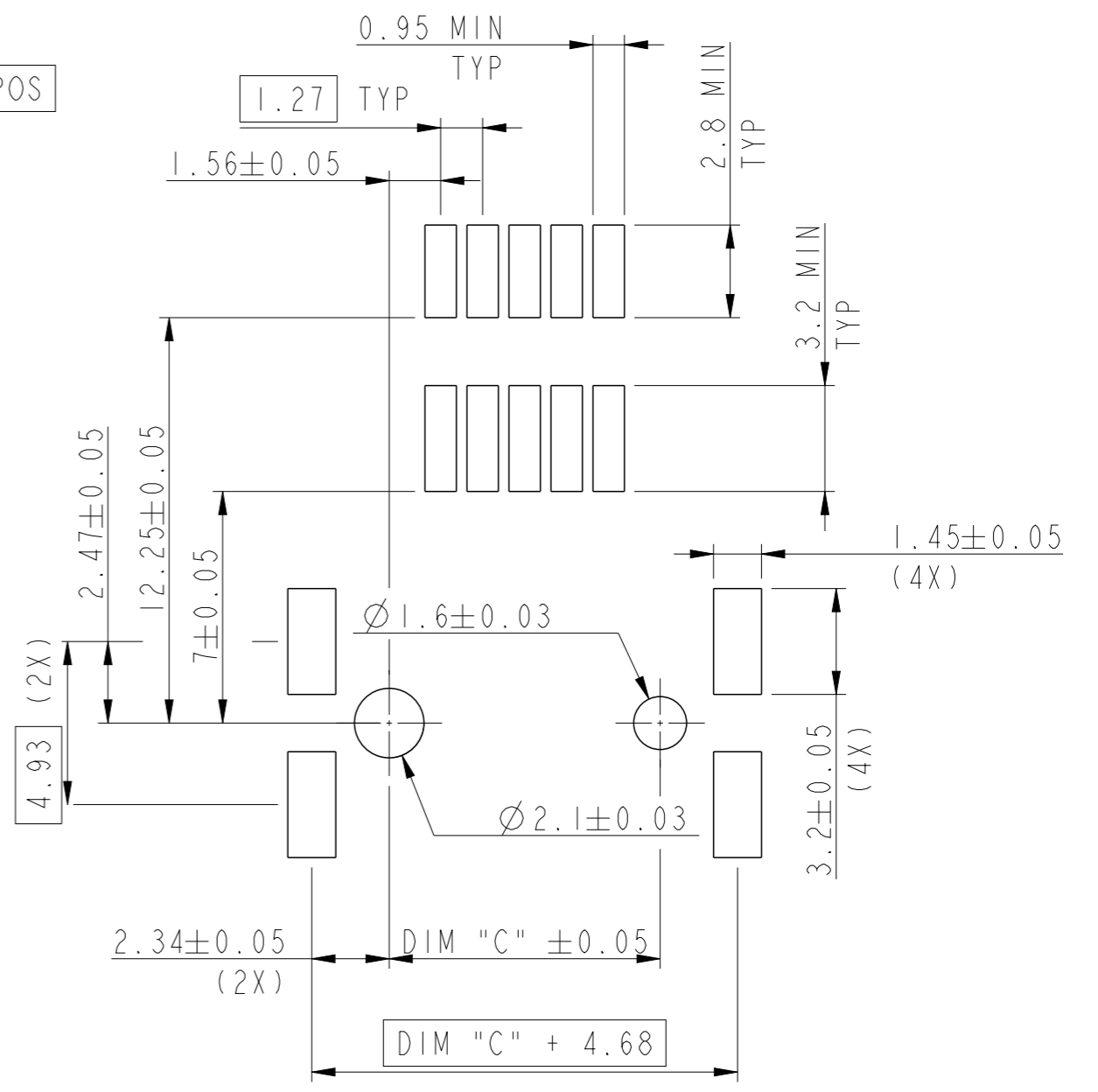


PART NO.	NO. OF POSN	DIM "A"	DIM "B"	DIM "C"
10144642-104KLF	04	8.68	10.02	3.40
10144642-106KLF	06	9.95	11.29	4.67
10144642-108KLF	08	11.22	12.56	5.94
10144642-110KLF	10	12.49	13.83	8.19
10144642-112KLF	12	13.76	15.10	9.46

POSITION NUMBER INDICATION FOR 4POS
SCALE 4:1



RECOMMENDED PCB LAYOUT FOR 4 TO 8 POS



RECOMMENDED PCB LAYOUT FOR 10 TO 12 POS

spec ref	-	dr	Sawanth, Ambaa	2018/10/31
tolerance std	ISO 406 ISO 1101	eng	Cyril Jeune	2019/04/05
	TOLERANCES UNLESS OTHERWISE SPECIFIED	chr	Hyppias, Arnau	2019/04/04
		appr	Beatrice Vial	2019/04/04
surface	linear	0.X	±0.3	
		0.XX	±0.10	
		0.XXX	±0.05	
	angular	0°	±2°	

projection	mm	size	A3	scale	5:1
ecn no	-	rel level	Released		
product family	-	title	HEADER ASSEMBLY		
		MINITEK μSPACE STS DR 1.27 TOP LATCH	dwg no	10144642	rev
					A
cat. no.	-	Product - Customer Drw	sheet 2 of 2		