

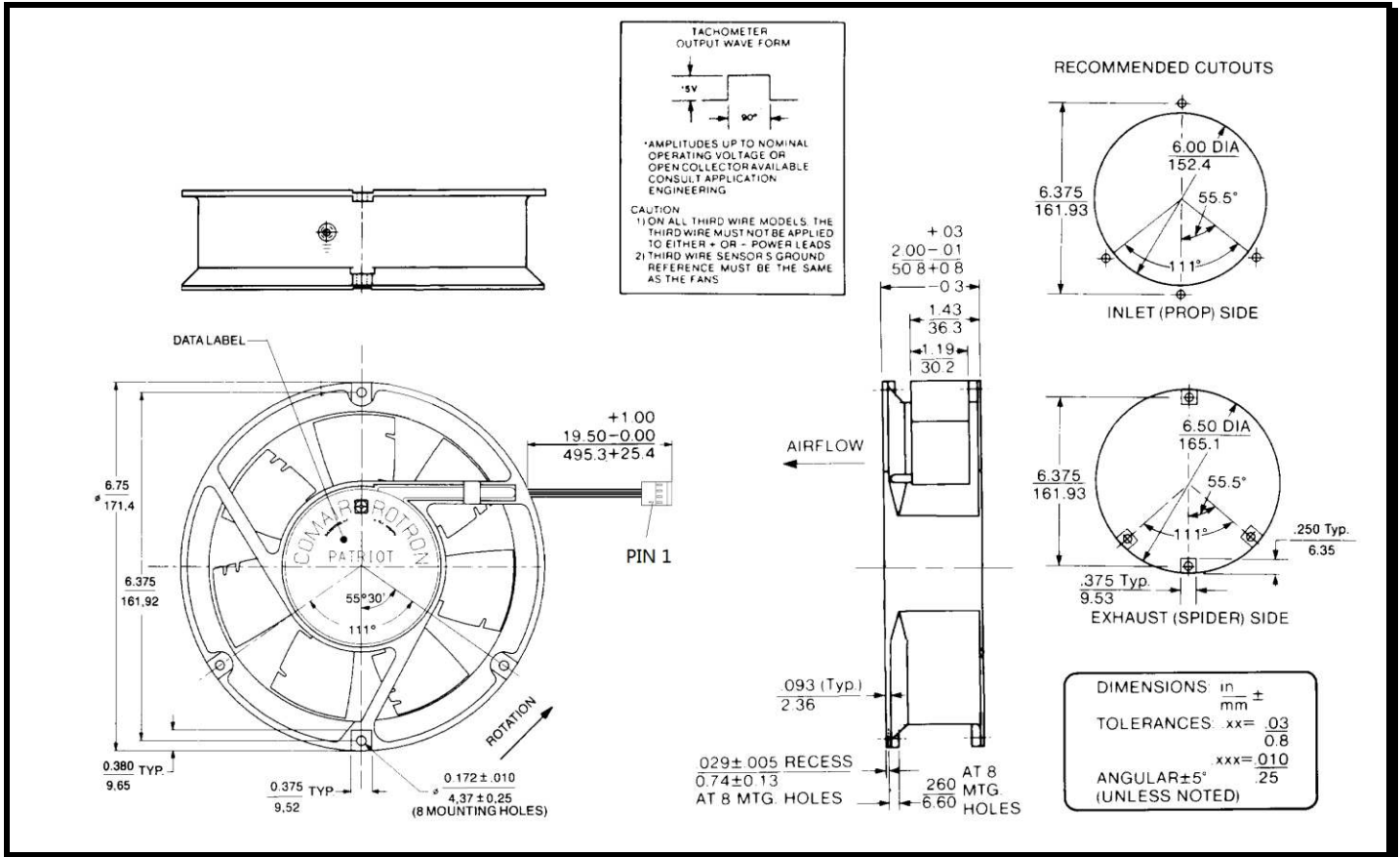
# SPECIFICATIONS



**Model Number:** PQ48R0X  
**Part Number:** 19039729A

Nov 27, 2013

## Mechanical Drawing:



### Motor:

Nominal Voltage = 48 vdc  
 Operating Voltage Range = 24 - 56 vdc  
 Nominal Running Current = 0.460 amps  
 Locked Rotor Current = 1.000 amps  
 Running Power = 22.0 watts  
 Average Speed = 3475 RPM  
 Bearings = Ball  
 Air Flow = 235 CFM  
 Noise = 51.2 dBA

### Construction:

Venturi: Die-Cast Aluminum, Black  
 Propeller: Plastic, Black, UL 94V-0

### Life Expectancy:

This fan is designed for continuous duty life of 75,000 hours at 40°C.

### Agency Approvals:

UL, CUL, CE

### Additional Features:

Brushless DC Motor  
 Electronic Locked Rotor Protection  
 Polarity Protected  
 Automatic Restart Capability  
 Operating Temperature: -10°C to 70°C  
 Storage Temperature: -40°C to 85°C  
 Programmable

### Tachometer Specifications:

Output: 5 volt TTL Compatible  
 I<sub>c</sub>: 5 vdc Typical  
 Pulses Per Revolution: 2  
 Isolated: No

### Termination:

19.5" Harness assembly, 22 AWG, UL 1061  
 AMP Connector 640440-4  
 Pin 1 = Red, Fan Power (+)  
 Pin 2 = Black, Fan Ground (-)  
 Pin 3 = Blue/White, Tachometer (Output)  
 Pin 4 = Yellow, Program