



Mallory Sonalert Products, Inc.

Part #: **JT120-YG-CD**

Sales Outline Drawing

Revision: **D**

Specifications:

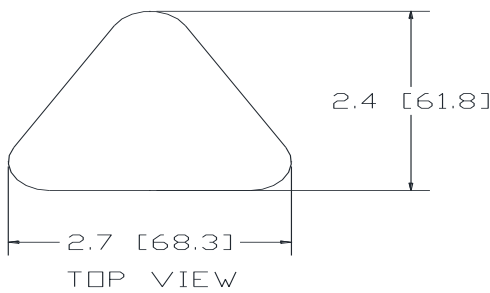
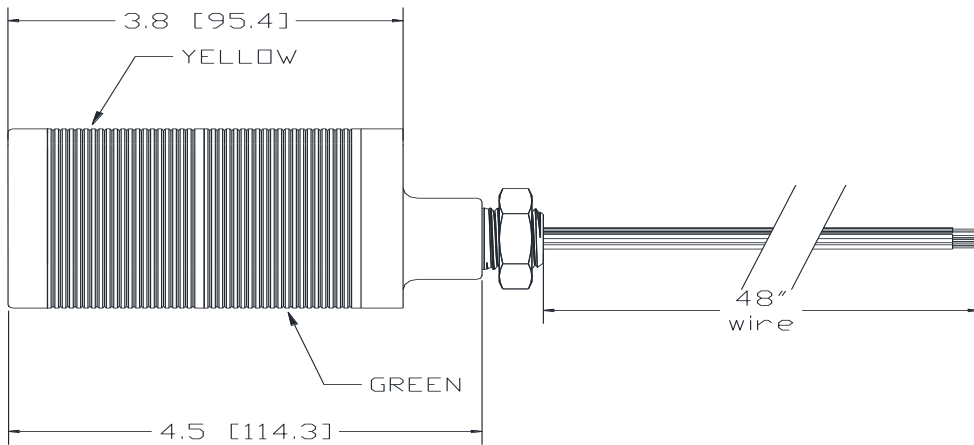
| | | | | |
|------------------------|--|-----------------|--|--|
| Stack Number: | 1 | 2 | | |
| LED Color: | YELLOW | GREEN | | |
| Connection Wires: | Yellow and Brown | Green and Brown | | |
| LED Current Draw: | <230 mA | <190 mA | | |
| Rated Voltage: | 120 VAC | | | |
| Operating Voltage: | 90-120 VAC | | | |
| Total Max Current: | <420mA | | | |
| Operating Temperature: | -25° ~ +60°C | | | |
| Lens Color: | Opaque White | | | |
| Material: | ABS FR15U | | | |
| Mounting Method: | Direct Mount using 1/2" NPT Stainless Steel Pipe and Nut | | | |
| Weight Typical (g): | 215 | | | |
| NEMA 12: | Approved | | | |
| Options: | Please contact factory. | | | |

Dimensions: Inches (mm)

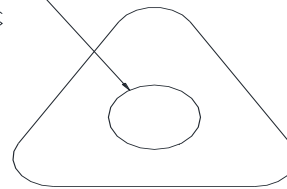
cUL Recognized

ROHS Compliant

PATENT NUMBER D898600 10309594



Ø0.88 [Ø22.2]
KNOCK OUT
FOR WIRES



MOUNTING
DIAGRAM

LED OPERATION: CONNECT STACK COLOR WIRE TO POWER AND BROWN WIRE TO POWER.