

Type PMA-LS-AC1-Q2S Panel Mount Fuse Holder 1/4" x 1 1/4" (6.3 x 32mm) Fuses LED Warning Light / Screw



www.optifuse.com

(619) 593-5050

Electrical Rating: 20A, 250V AC

Fuse Style: 1/4" x 1 1/4" (6.3 x 32mm)

IP Rating: IP66

Material:

Frame: Phenolic (UL flame: 94V-1)

Cap: Polycarbonate (UL flame: 94V-2)

Terminals: Silver-plated copper

Cap: LED Warning Light type, Screw type

LED indicates when fuse is burned.

Mounting: by nut

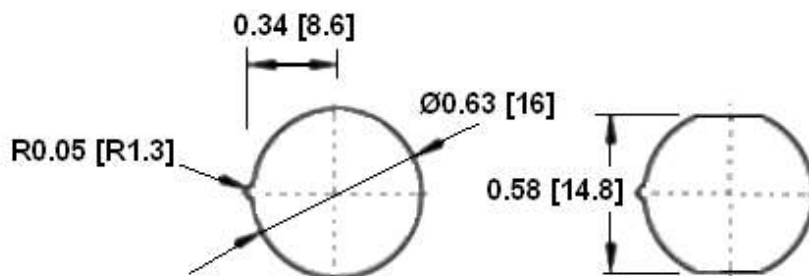
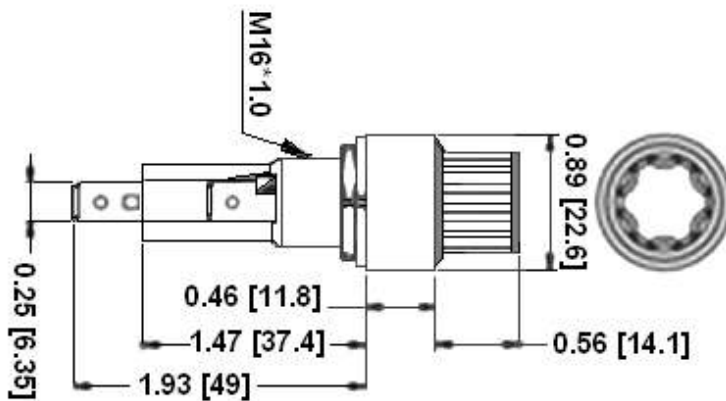
Terminal: Solder/Quick-Connect 6.4mm / 0.250"

Panel Thickness: 0.5 ~ 10.0mm

Agency Standards and Listings:



Product Dimensions: Inches [mm]



Mounting Holes

Warning:



- Operation beyond the specified maximum ratings or improper use may result in damage and possible electrical arcing and/or flame.
- Fuse Holders are not intended for circuit disconnect. All power should be disconnected before removing fuse.
- Avoid contact of Fuse Holder with chemical solvent. Prolonged contact may damage the device performance.