

TABLE 1

MOLEX P/N	ENG. NO.	CABLE LENGTH (mm)	LED
1202480028	BTB4050-FBW-05	5000	NO
1202480029	BTB4050-FBW-10	10000	NO
1202480030	BTB4050-FBW-15	15000	NO
1202480031	BTB405P-FBW-05	5000	YES
1202480032	BTB405P-FBW-10	10000	YES
1202480033	BTB405P-FBW-15	15000	YES
1202480034	BTB405N-FBW-05	5000	YES
1202480035	BTB405N-FBW-10	10000	YES
1202480036	BTB405N-FBW-15	15000	YES

TABLE 2 BILL OF MATERIAL

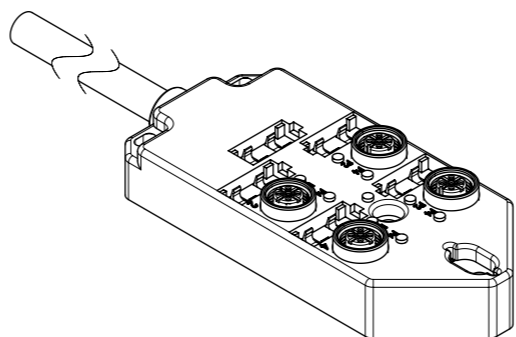
ITEM	DESCRIPTION	MATERIAL	FINISH
1	LABEL	ABS	WHITE
2	CABLE PLATE	PBT	BLACK
3	CABLE	TPU BASED	BLACK
4	CONTACT	BRONZE	GOLD OVER NICKEL
5	O-RING	FPM	RED
6	LED	NO LED = PA WITH LED = PA	BLACK TRANSPARENT
7	SHELL	BRASS	NICKEL PLATED
8	HOUSING	PBT	BLACK



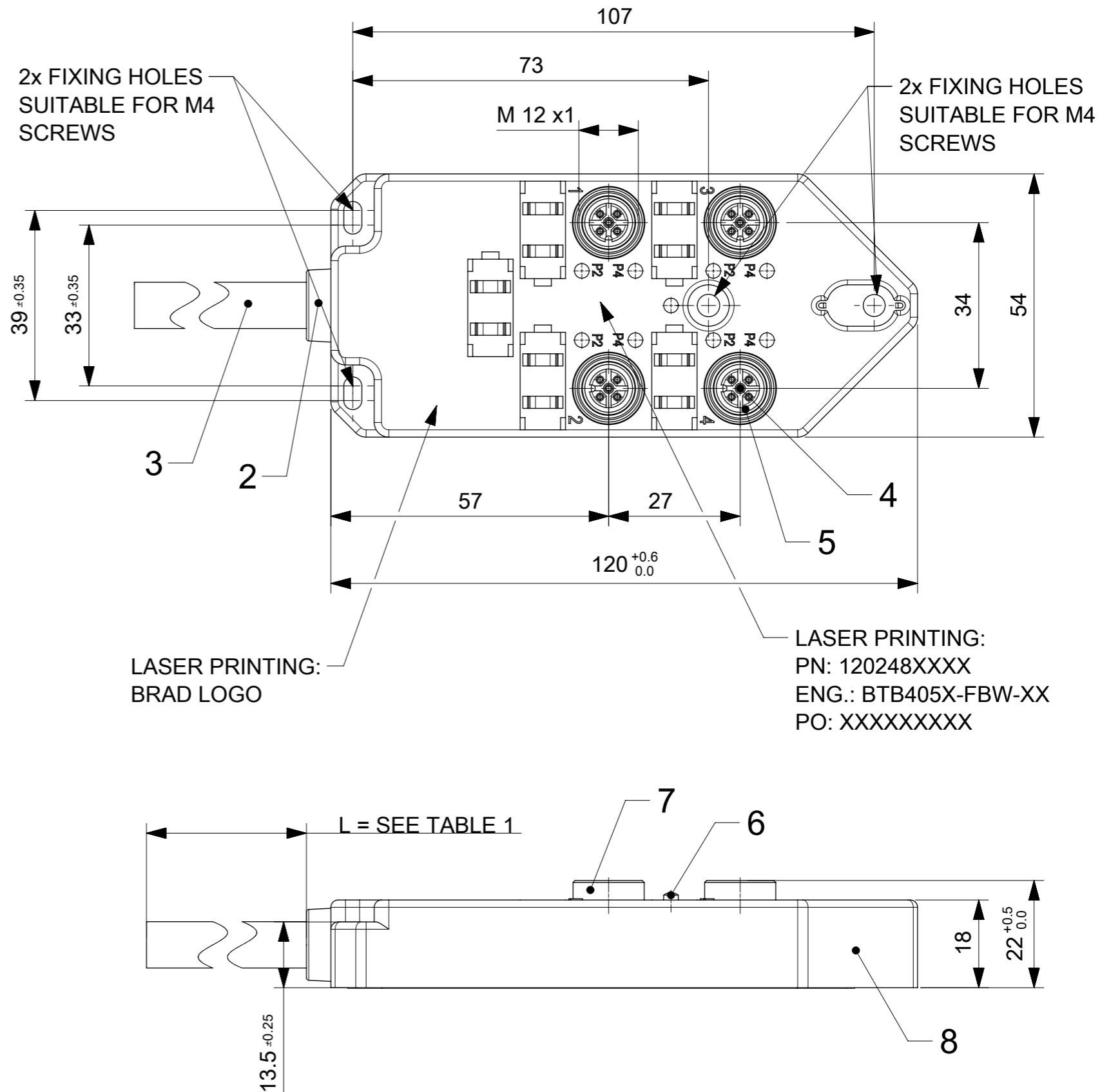
GENERAL CHARACTERISTICS:

ELECTRICAL AND MECHANICAL DATA ACC. TO IEC 61076-2-101

NOMINAL VOLTAGE: 10-30 V DC
 AMPERE RATING: 4 A PER PORT / 12 A MAX
 AMPERE RATING WITH UL REGISTRATION: 3 A PER PORT / 9 A MAX
 IP DEGREE OF PROTECTION: IP 67
 TEMPERATURE RANGE: -25°C to + 85°C

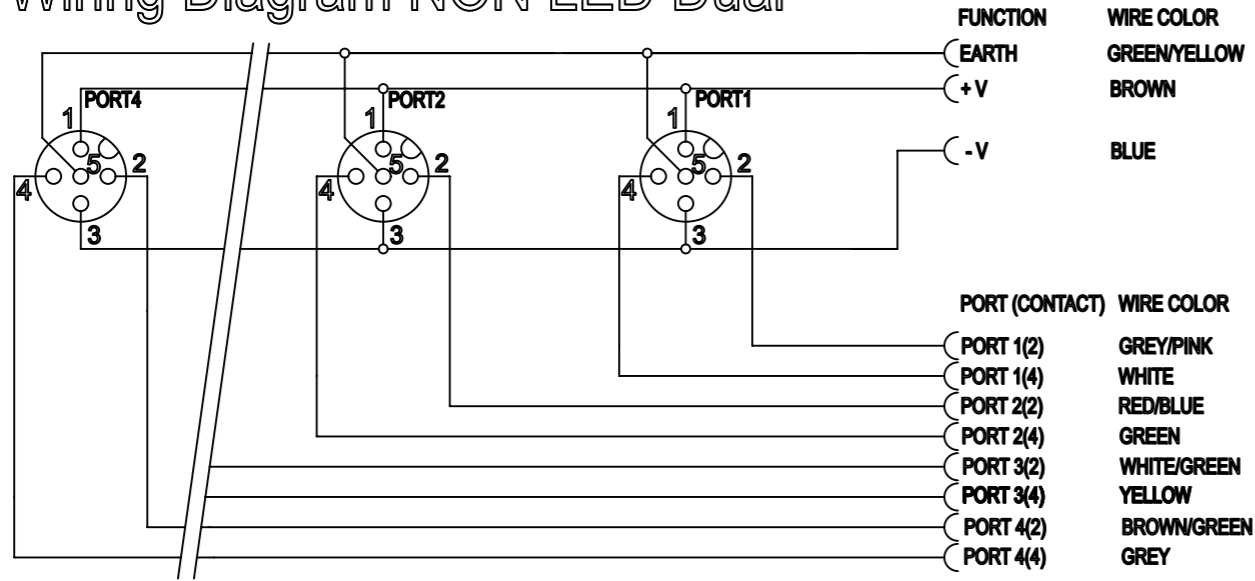


SCALE 1:2

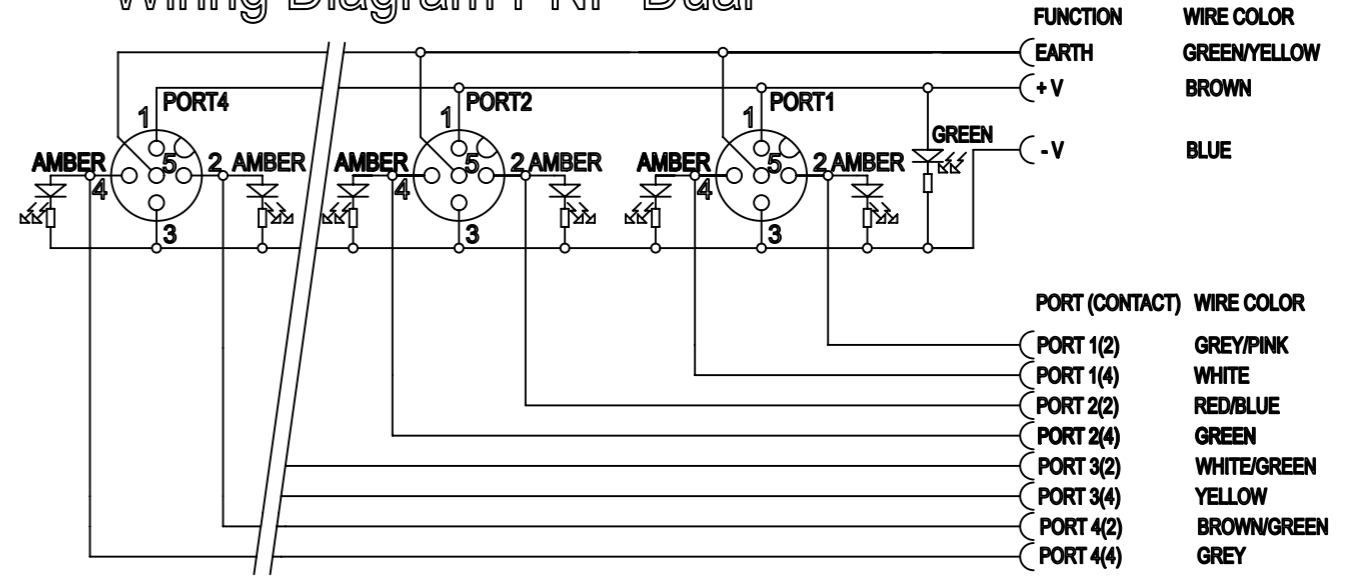


SYMBOLS		THIS DRAWING CONTAINS INFORMATION THAT IS PROPRIETARY TO MOLEX ELECTRONIC TECHNOLOGIES, LLC AND SHOULD NOT BE USED WITHOUT WRITTEN PERMISSION	
DIMENSION UNITS	SCALE	CURRENT REV DESC: LASER PRINT UPDATE	
mm		molex MPIS M12 PNP NOS 5P 4PT AC FE STR XM STA DUAL PRODUCT CUSTOMER DRAWING	
GENERAL TOLERANCES (UNLESS SPECIFIED)			
ANGULAR TOL	± °		
4 PLACES	±		
3 PLACES	±	EC NO: 606042 DRWN: SSM 2018/08/28 CHK'D: RSILLER 2018/10/18 APPR: RSILLER 2018/10/18	
2 PLACES	±	INITIAL REVISION: DRWN: AAHLERS 2015/04/01 APPR: RSILLER 2015/05/20	
1 PLACE	±	DOCUMENT NUMBER 1202480028	DOC TYPE DOC PART REVISION PSD 000 B
0 PLACES	± 0.25	MATERIAL NUMBER SEE TABLE 1	CUSTOMER GENERAL MARKET
DRAFT WHERE APPLICABLE MUST REMAIN WITHIN DIMENSIONS		THIRD ANGLE PROJECTION 	DRAWING A3-SIZE
		SERIES 120248	SHEET NUMBER 1 OF 2

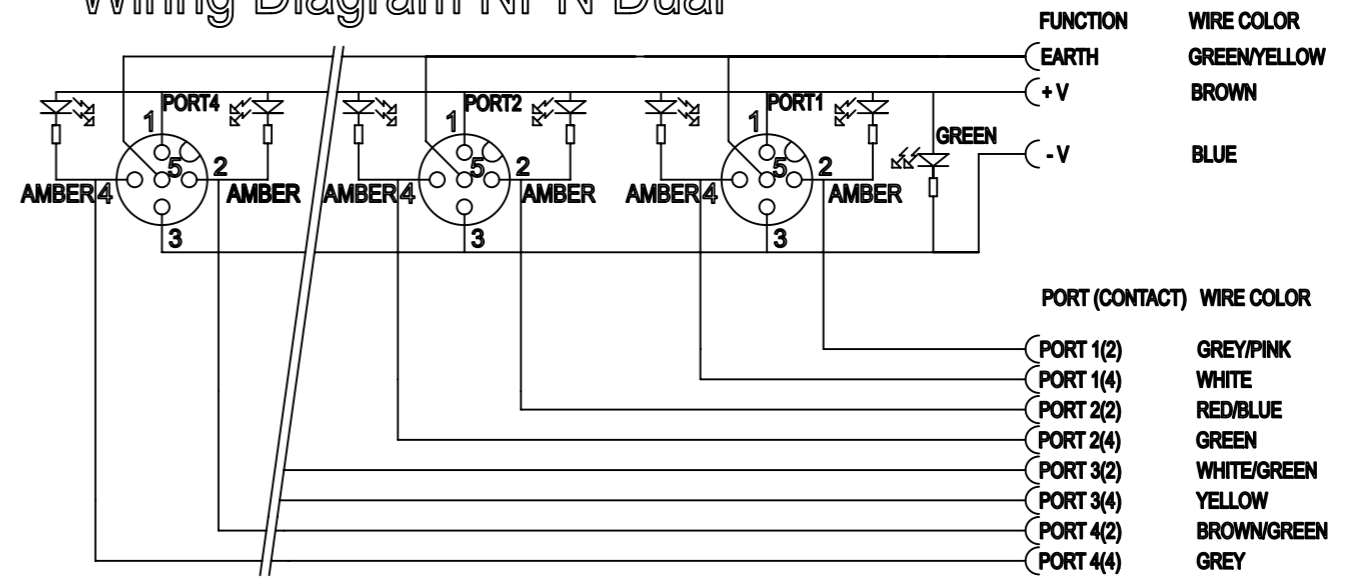
Wiring Diagram NON LED Dual



Wiring Diagram PNP Dual



Wiring Diagram NPN Dual



SYMBOLS DIMENSION UNITS SCALE ▽ = 0 mm ▽ = 0 GENERAL TOLERANCES (UNLESS SPECIFIED) ▽ = 0 ANGULAR TOL ± ° ▽ = 0 4 PLACES ± ▽ = 0 3 PLACES ± ▽ = 0 2 PLACES ± ▽ = 0 1 PLACE ± ▽ = 0 0 PLACES ± 0.25 ■ = 0 DRAFT WHERE APPLICABLE MUST REMAIN WITHIN DIMENSIONS ▽ = 0	THIS DRAWING CONTAINS INFORMATION THAT IS PROPRIETARY TO MOLEX ELECTRONIC TECHNOLOGIES, LLC AND SHOULD NOT BE USED WITHOUT WRITTEN PERMISSION CURRENT REV DESC: LASER PRINT UPDATE				
	EC NO: 606042 DRWN: SSM 2018/08/28 CHK'D: RSILLER 2018/10/18 APPR: RSILLER 2018/10/18				
	INITIAL REVISION: DRWN: AAHLERS 2015/04/01 APPR: RSILLER 2015/05/20		PRODUCT CUSTOMER DRAWING		
	THIRD ANGLE PROJECTION DRAWING SERIES MATERIAL NUMBER CUSTOMER SHEET NUMBER A3-SIZE 120248 SEE TABLE 1 GENERAL MARKET 2 OF 2		DOCUMENT NUMBER DOC TYPE DOC PART REVISION 1202480028 PSD 000 B		