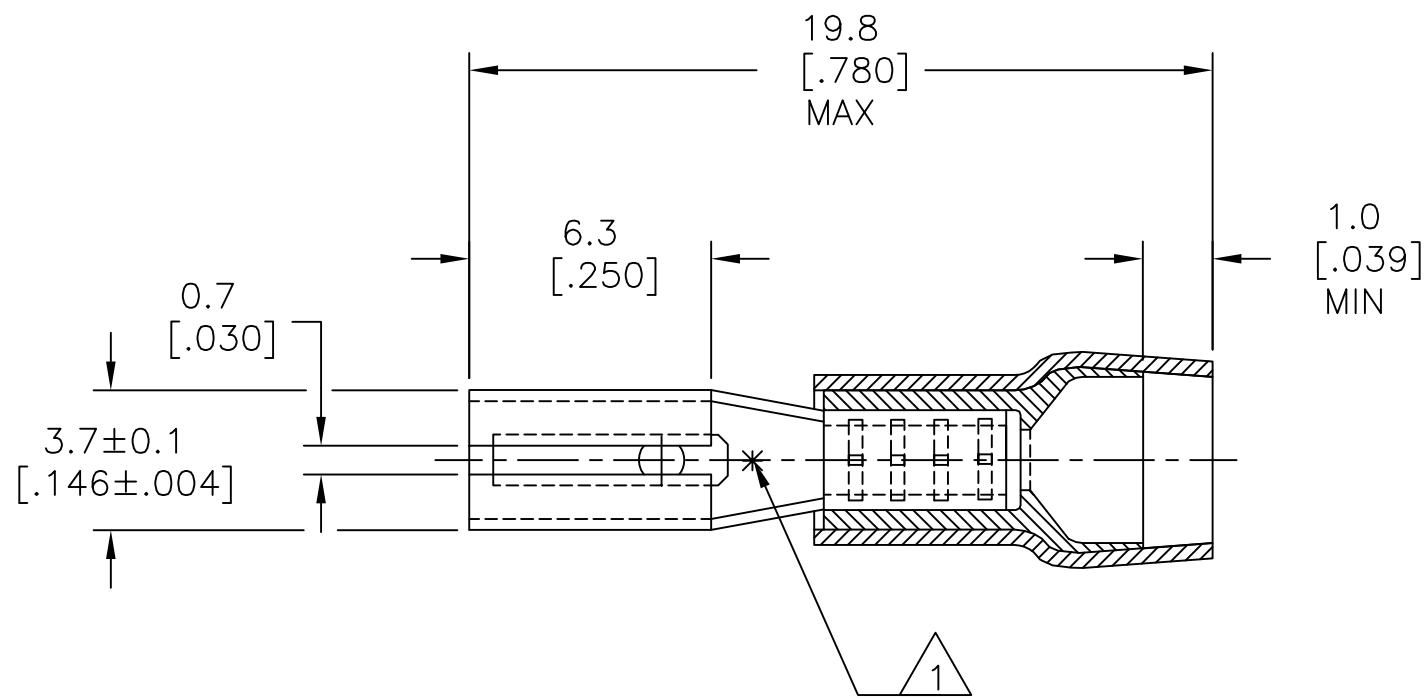
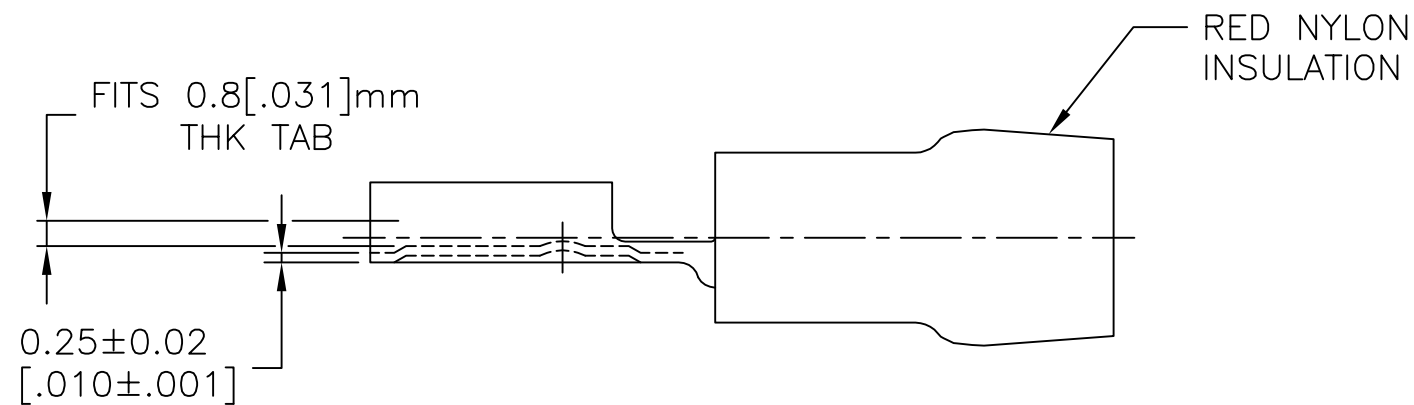


P	LTR	DESCRIPTION	DATE	DWN	APVD
	J3	REVISED PER ECO-11-004820	11MAR11	RK	HMR
	J4	REVISED PER ECO-17-002887	01SEP2017	RS	DR

AMP WIRE RANGE	AMP INSULATION RANGE
22-16 AWG 0.3-1.5 mm <sup>2</sup>	ø.140 MAX ø3.5 MAX



- 1 ASTERISK \* FOR PHOS BRONZE VERSION ONLY
- 2 NOTE DELETED.



-	SILVER	PHOS BRONZE	165566-4
-	TIN	PHOS BRONZE	165566-2
2-165566-1	TIN	BRASS	165566-1
PN ON TAPE	FINISH	MATERIAL	PART NUMBER

THIS DRAWING IS A CONTROLLED DOCUMENT.		DWN jr_ruth 15APR05	<b>STE</b> TE Connectivity													
DIMENSIONS: mm [INCHES]		CHK T MICHELUTTI 15APR05														
TOLERANCES UNLESS OTHERWISE SPECIFIED:		APVD T MICHELUTTI 15APR05	NAME RECEPTACLE, FASTON, PIDG, .110 SERIES													
<table border="0"> <tr><td>0 PLC</td><td>± -</td></tr> <tr><td>1 PLC</td><td>± 0.2[.01]</td></tr> <tr><td>2 PLC</td><td>± -</td></tr> <tr><td>3 PLC</td><td>± -</td></tr> <tr><td>4 PLC</td><td>± -</td></tr> <tr><td>ANGLES</td><td>± 5°</td></tr> </table>		0 PLC	± -	1 PLC	± 0.2[.01]	2 PLC	± -	3 PLC	± -	4 PLC	± -	ANGLES	± 5°	PRODUCT SPEC -	APPLICATION SPEC 114-1002	
0 PLC	± -															
1 PLC	± 0.2[.01]															
2 PLC	± -															
3 PLC	± -															
4 PLC	± -															
ANGLES	± 5°															
MATERIAL -		FINISH -	WEIGHT -	RESTRICTED TO -												
CUSTOMER DRAWING			SIZE A3	CAGE CODE 00779												
			DRAWING NO C=165566	RESTRICTED TO -												
			SCALE 1:1	SHEET 1 OF 1												
			REV J4													